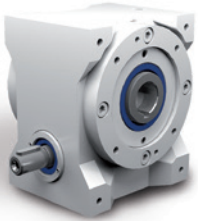
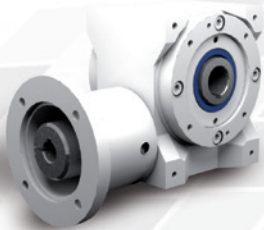


9.1 Type overview



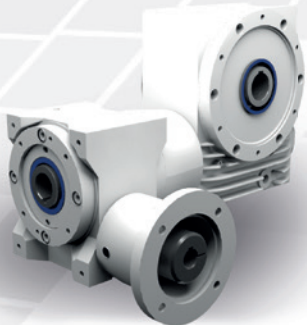
Type S – Standard worm gearboxes

Gear ratios: $i = 01:1$ to $83:1$
Maximum output torque: 1765 Nm
5 sizes, centre-to-centre distance of 040 to 100 mm
Low-backlash construction < 6 angular minutes possible
Housing made of grey cast iron



Type SL – Type S with flange for motor mounting

Gear ratios: $i = 10:1$ to $83:1$
Maximum output torque: 1765 Nm
5 sizes, centre-to-centre distance of 040 to 100 mm
Low-backlash construction < 6 angular minutes possible
Suitable for fitting IEC standard motors
Drive side with hollow-bored shaft and flange
Housing made of grey cast iron



Double worm gear unit

Primary gear, available as type S, SL, SLM on SC
9 standard-size combinations
For gear ratios up to 6890:1
Output speeds of 0.1 to 8 rpm

9.2 General construction

Due to its mode of operation, a worm gearbox enables high step-down ratios.

In worm gearboxes, both shafts intersect in a defined distance (A). This centre-to-centre distance is reflected in the specification of the gearbox size. (Example: S 100 – centre-to-centre distance 100 mm)

9.2.1 Tothing

A gear set consists of worm shaft and worm gear.

The worm shaft made of carburised steel is hardened, the tothing is ground. The worm gear consists of a high-quality bronze alloy, the tothing is milled.

9.2.2 Construction types

Due to the modular system, different gearbox construction types can be configured. The variants differ in the type of the shafts, the rotational direction of the shafts, and the support by bearings.

9.2.3 Threaded mounting holes

The housing surface on the side 1 and the flange surfaces on the sides 5 and 6 are machined and may be used as mounting surfaces. All flanges always have threaded mounting holes.

You have the following available ordering options:

Gearbox size	Ordering options	Threaded mounting holes are in the housing surfaces on the gearbox side	Threaded mounting holes are in the flanges on the gearbox side
040-250	1	1	5, 6
040-100	2	1, 2	5, 6
040-100	3	1, 3	5, 6
040-100	4	1, 4	5, 6
040-100	5	1, 5	5, 6
040-100	6	1, 6	5, 6
125-250	2	1, 2	5, 6

The standard version has the order code 1.

Please enquire other mounting options.

Table 9.2.3-1

9.2.4 Installation position

The installation position is defined by the gearbox side directed downwards during operation and will be indicated by the associated numeral.

The gearboxes can be used in all installation positions. The technically most favourable and thus recommended installation position is the installation position 1. In this position, the worm shaft is horizontal and located at the bottom.

Please contact us for consultation if the angle of the gearbox side directed downwards deviates more than 15° from the horizontal position. The performance data and torques listed in the selection tables are only valid if the gearboxes are used in the installation positions 1, 5 or 6. The values must be reduced by 10%, if the worm shaft is vertical or located at the top (installation position 3, 4 or 2).

9.2.5 Shaft designation – allocation to the gearbox sides

The worm shaft is the fast-rotating shaft. It has the speed n_1 and is identified by N_1 .

The slowly rotating shaft has the speed n_2 and is identified by N_2 . The worm gear is located on this shaft.

The gearbox sides are identified by the numerals 1 to 6. For the allocation of the shafts to the gearbox sides, please refer to the Figure 8.2.5-1 and the Figure 4.3.1-1 Gearbox sides.

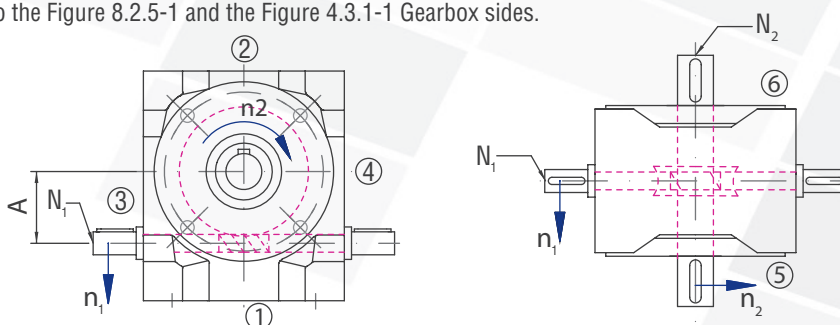


Figure 9.2.5-1

9 Worm gearboxes

9.2.6 Rotational direction and gear ratio

As standard, the worm gearboxes are delivered with right-handed worm shafts. This results in rotational directions according to Figure 8.2.5-1. In the special design, delivery with left-handed gear teeth is also possible. Please enquire this.

Please refer to the performance tables for the possible gear ratios. Principally, the **actual** gear ratio i_{ist} must be taken into account for the layout. In some cases, this deviates from the nominal gear ratio i .

9.2.7 Efficiency

The achievable efficiency depends on rotational speed, torque, installation position, sealing, and lubricant type.

Starting efficiency

The efficiency is always lower during the starting phase and in the cold operating state since the lubricating film is not formed until the sliding motion has started. Therefore a higher torque is needed.

The starting efficiencies listed below are guidance values and valid for run-in gearboxes.

These starting efficiencies must be taken into account for the layout.

Number of threads	Gear ratio range	Starting efficiency	Pitch
1	83 – 62	0.30 – 0.40	3° – 3.5°
1	53 – 30	0.40 – 0.50	5° – 6°
2	26 – 15	0.56 – 0.65	10° – 12°
4	13 – 7.5	0.68 – 0.75	19° – 23°
6	5	0.74 – 0.82	28° – 32°

Table 9.2.7-1

Operating efficiency

The tooth flanks of worm gearboxes in the as-delivered condition are not yet fully smoothed. Therefore the gearboxes should be run in with approx. 50% of the nominal data, if possible, before they are operated under load.

The efficiencies specified in the performance tables relate to the permissible nominal data and are guidance values for run-in gearboxes with standard sealing that have operating temperature, and an oil viscosity of 460 mm²/s.

Step-up drive

Due to the high efficiency of the ATEK worm gear sets it is possible to drive the gearboxes with 4-thread and 6-thread worm shafts also from the worm gear side and thus to generate a stepping-up.

The efficiency with a driving worm gear is calculated by the formula: $\eta' = 2 - (1 / \eta)$

Self-locking

The self-locking is directly related to the efficiency of the gearbox. Please refer to chapter 9.2.11 Self-locking for more information.

9.2.8 Lubrication

Different conditions for the lubrication of the toothing and the roller bearings will arise depending on gearbox size, installation position, rotational speed and on-period. In order to ensure these optimally, different oil quantities and viscosities are used.

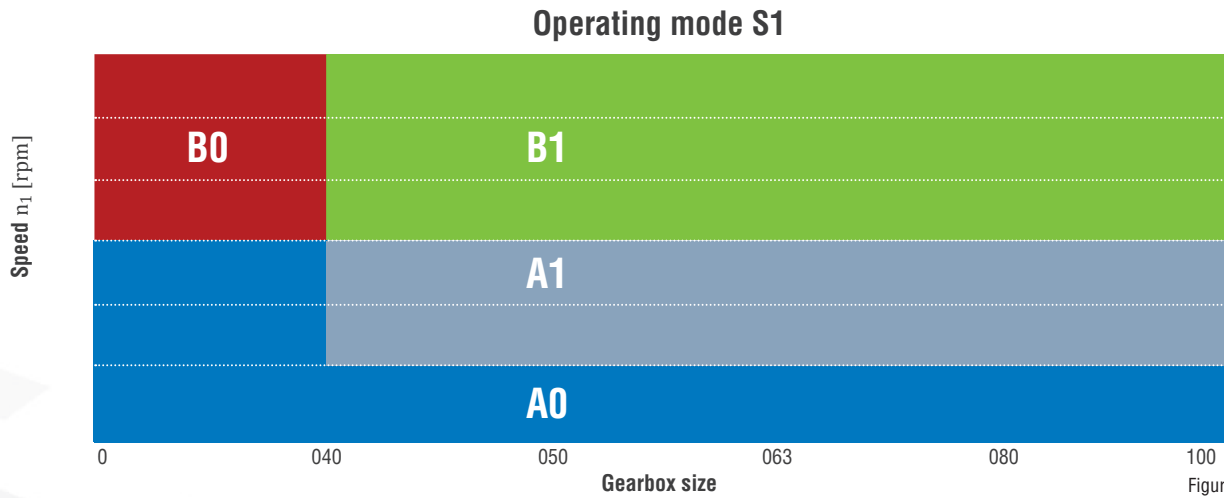
These will be defined by ATEK based on your ordering details (rotational speed, on-period, and ambient temperature).

They will be reflected in the type designation. You can find the itemisation in the example S 125 10:1 C0 -9.1- 200/A1

/A1 means:

Position	Abbreviation	Explanation	Reference
1	A	Oil viscosity 460	Table 9.2.8-1
2	1	with venting	Table 9.2.8-2

The worm gearboxes are factory-filled with synthetic polyglycol oil and are normally maintenance-free.



Oil viscosity table

Code; numeral 1	Viscosity
A	460
B	220
C	not available
D	Injection lubrication
F	Fluid grease

In case of very low rotational speeds, lubrication by fluid grease is also possible.

Table 9.2.8-1

At operating temperatures over 50°C, high pressure will develop through air expansion in the gearbox. Then a permanent pressure compensation must be ensured. To this end, the use of a vent filter is prescribed.

Code; numeral 2	Vent filter
0	No
1	Yes

Table 9.2.8-2

9.2.9 Vent filter

If venting is required the gearboxes will be delivered with a vent filter. The vent bores will be equipped with screw plugs for transport. The vent filter will be enclosed as a separate item and must be mounted in the intended position prior to commissioning. An elbow may be required. Please adhere to the operating instructions!

The position will be specified in the order documents. Please refer to Figure 8.2.9-1; Installation positions, for the position of the filter. Here, E4, for example, means: Venting on side 4.

Worm gearboxes

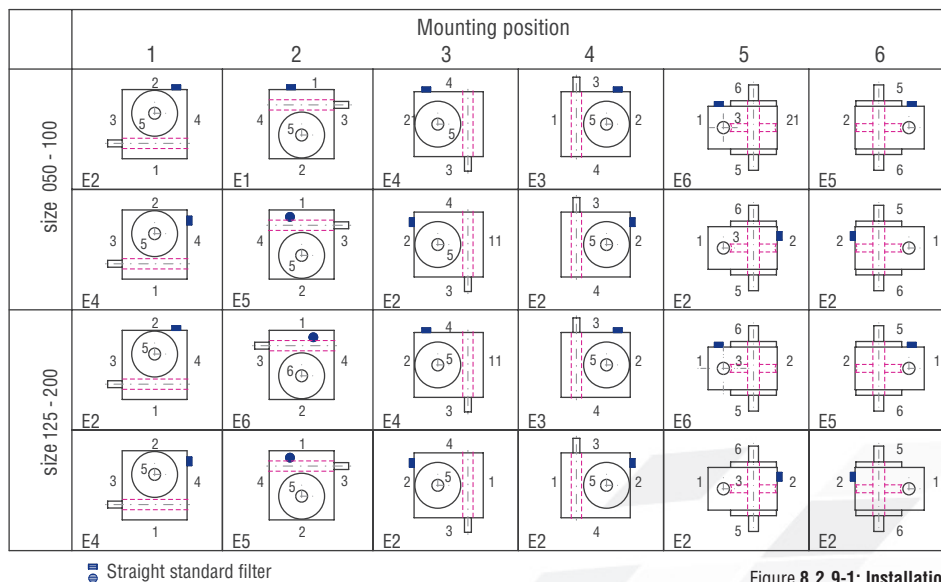


Figure 8.2.9-1; Installation positions

9.2.10 Low-backlash construction

For optimal running, the tooth space in the gear set is manufactured larger than the tooth. When the direction of rotation is changed, this results in a rotation angle until the counter-rotating tooth flanks contact each other. This rotation angle is called circumferential backlash.

Circumferential backlash, measuring method

The circumferential backlash is measured after the drive shaft (N_1) has been fixed. A force of around 2% of the nominal torque is applied to the output shaft (N_2) in both rotational directions. A tooth backlash will result between the two final positions. This can be measured as rotation angle and is indicated in minutes of arc [arcmin].

Circumferential backlash, type

All ATEK worm gearboxes can be delivered as low-backlash types. The following values can be set with standard gear sets:

Ordering option	Gear set	040 – 125	160 – 250
/0000	Standard	≤ 30 arcmin	≤ 30 arcmin
/S2	Standard	≤ 10 arcmin	u.r.
/S1	Standard	≤ 6 arcmin	u.r.
/S0	Special gear set	$\leq 3-6$ arcmin	u.r.

Table 8.2.10-1

Abbreviation: u.r. – upon request

9.2.11 Self-locking

Worm gearboxes are self-locking if the gearboxes cannot be driven from the worm gear side.

The self-locking is directly related to the efficiency of the gearbox. If self-locking is demanded the corresponding efficiency of the gearbox with driving worm must be below 0.5. If a gearbox must be unconditionally self-locking, or alternatively, unconditionally not self-locking, we ask to contact us for consultation, giving a description of the case of application.

Static self-locking

Worm gearboxes are statically self-locking if starting from standstill with driving worm gear is impossible. The self-locking depends on the pitch of the tothing. The angle is 2.5° to 5° . Please enquire these.

Vibrations may override / deactivate the self-locking. Therefore a self-locking tothing cannot always take the place of a brake or an anti-reversing device.

Dynamic self-locking

Worm gearboxes are dynamically self-locking if, with rotating gearbox mechanism, continued operation is impossible due to torque action on the worm gear (output side) of the gearbox. The overrun occurring after switching-off depends on the rotating masses on the drive side. Dynamic self-locking is only possible with very large gear ratios in the range of low driving speeds. Please enquire these.

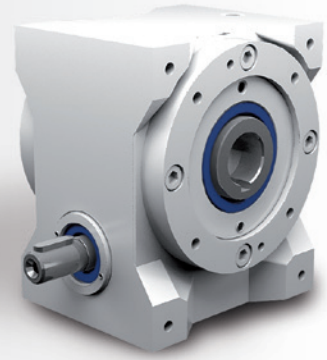
Limits

If driven parts have high mass inertia moments no self-locking must occur during the run-down process. Extremely high load peaks may occur in case of sudden blocking of the gearbox. In such cases, a gearbox with multistart worm should be used whenever possible. Also, if a braking motor or a separate brake is used on the drive side, the braking torque must not be too high, and it must be mitigated by using an additional flywheel mass on the drive side

9.3 Type S – Standard worm gearboxes

9.3.1 Features

Nominal gear ratios: $i = 10:1$ to $83:1$
 Maximum output torque: 1765 Nm
 8 sizes, centre-to-centre distance of 040 bis 100 mm
 Low-backlash construction < 6 angular minutes possible
 Housing made of grey cast iron



9.3.2 Models

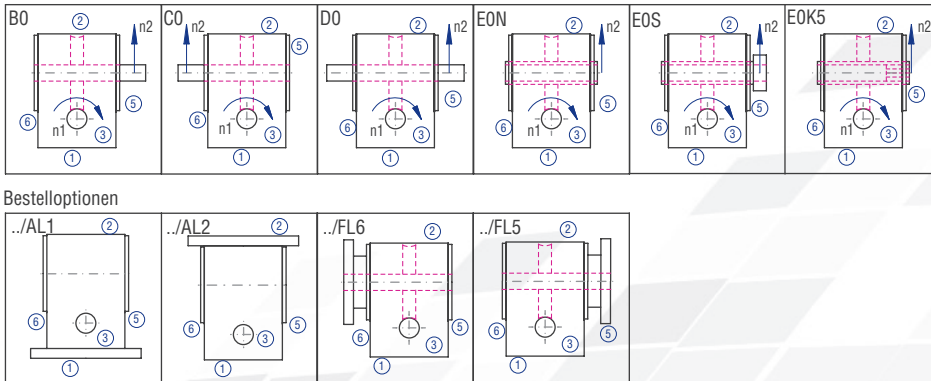


Figure 9.3.2-1; Models

9.3.3 Gearbox sides

The example shows the Model B0

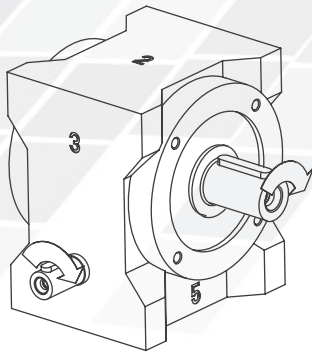


Figure 9.3.3-1; Gearbox sides

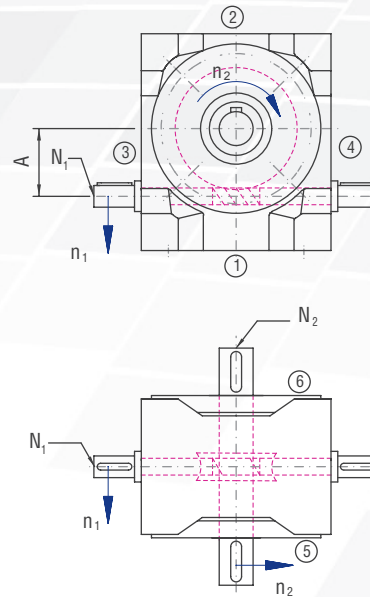


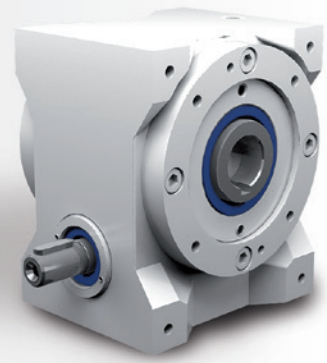
Figure 9.3.3-2; Shaft designations

9.3.4 Order code

The order code reflects the customer specifications. Example:

Type	Size	Gear ratio	Model	Fixing side	Installation position	Speed n_2	Design
S	063	10:1	B0-	1.	1-	150	/0000
Description	Centre-to-centre distance A; Table 9.3.5-1	Table 9.3.5-1	Figure 9.3.2-1; Models	Gearbox side on which fixing is made Table 9.2.3-1 Figure 4.3.1-1; Gearbox sides	Side directed downwards Figure 4.3.1-1; Gearbox sides	Slowly rotating shaft; Table 9.3.5-1	Standard

Table 9.3.4-1



Characteristics

Characteristic	Standard	Option
Toothing	Hardened and ground worm shaft / bronze worm gear	See chapter 9.2.1
Gear ratio	10:1 to 83:1	
Housing / Flanges	Grey cast iron	
Threaded mounting hole	On gearbox side 1 and on the flanges	See chapter 9.2.3
Shaft	Material 1 C45, shaft ends greased Fit with ISO j6 tolerance with parallel keyway: according to DIN 6885 Sheet 1	See chapter 4.6.2
Hollow shaft	Material 1 C45, shafts greased Fit with ISO H7 tolerance with parallel keyway: according to DIN 6885 Sheet 1	See chapter 4.6.3
Radial shaft seal ring	NBR, form A	See chapter 4.8
Ambient temperature	-10°C to +90°C. The values of the performance tables are valid for 20°C	See chapter 4.9.3
Circumferential backlash	< 30 arcmin	See chapter 9.2.10
Protection class	IP 54	See chapter 4.5
Corrosion protection	Prime coat; layer thickness > 40 µm	See chapter 4.4
Bearing life L10h	more than 15,000h	See chapter 4.9.1
Oil change intervals	Not required if the oil temperature is kept < 90°C The lifetime of the bearings can be increased by the factor 1.5 if the oil is changed after the first 500 service hours and then every 5000 service hours.	See chapter 9.2.8
Lubricant	Synthetic lubricants	See chapter 9.2.8

Performance data

i	i ist		n ₁ [1/min]					
			3000	1500	1000	750	500	150
10:1	39:4	n ₂ [1/min]	300,0	150,0	100,0	75,0	50,0	15,0
		P _{1N} [kW]	1,39	0,77	0,55	0,43	0,32	0,13
		T _{2N} [Nm]	39	43	45	47	50	64
		P _{1NT} [kW]	1,28	0,83	0,69	0,63	0,87	0,00
		Efficiency	0,91	0,90	0,88	0,87	0,85	0,81
20:1	39:2	n ₂ [1/min]	150,0	75,0	50,0	37,0	25,0	7,5
		P _{1N} [kW]	0,82	0,49	0,36	0,28	0,21	0,09
		T _{2N} [Nm]	43	50	53	55	58	75
		P _{1NT} [kW]	0,77	0,49	0,42	0,38	0,34	0,00
		Efficiency	0,84	0,82	0,80	0,78	0,76	0,71
30:1	29:1	n ₂ [1/min]	100,0	50,0	33,0	25,0	16,0	5,0
		P _{1N} [kW]	0,53	0,37	0,29	0,24	0,18	0,08
		T _{2N} [Nm]	36	50	57	60	65	82
		P _{1NT} [kW]	0,51	0,33	0,28	0,26	0,23	0,00
		Efficiency	0,75	0,73	0,70	0,68	0,64	0,57
40:1	39:1	n ₂ [1/min]	75,0	37,0	25,0	18,0	12,0	3,8
		P _{1N} [kW]	0,48	0,32	0,25	0,20	0,15	0,07
		T _{2N} [Nm]	44	56	63	66	71	91
		P _{1NT} [kW]	0,46	0,30	0,25	0,23	0,21	0,00
		Efficiency	0,72	0,70	0,67	0,65	0,62	0,56

i	i ist		n ₁ [1/min]					
			3000	1500	1000	750	500	150
53:1	52:1	n ₂ [1/min]	57,0	28,0	18,0	14,0	9,4	2,8
		P _{1N} [kW]	0,39	0,21	0,15	0,13	0,09	0,04
		T _{2N} [Nm]	44	46	48	51	55	72
		P _{1NT} [kW]	0,42	0,28	0,24	0,22	0,20	0,00
		Efficiency	0,68	0,65	0,63	0,61	0,59	0,55
62:1	63:1	n ₂ [1/min]	48,0	24,0	16,0	12,0	8,1	2,4
		P _{1N} [kW]	0,36	0,20	0,15	0,12	0,09	0,03
		T _{2N} [Nm]	45	48	51	53	56	57
		P _{1NT} [kW]	0,35	0,23	0,20	0,18	0,16	0,00
		Efficiency	0,63	0,59	0,56	0,54	0,51	0,45
83:1	82:1	n ₂ [1/min]	36,0	18,0	12,0	9,0	6,0	1,8
		P _{1N} [kW]	0,25	0,14	0,10	0,08	0,05	0,02
		T _{2N} [Nm]	36	37	38	38	38	38
		P _{1NT} [kW]	0,32	0,21	0,18	0,17	0,15	0,00
		Efficiency	0,56	0,52	0,50	0,48	0,46	0,42

	5:1	7.5:1	10:1	13:1	15:1	20:1	26:1	30:1	40:1	53:1	62:1	83:1
T _{2max} [Nm]	73	83	77	59	97	90	77	107	99	87	72	64

Permissible radial force F_{r1} and axial force F_{a1} on shaft N₁

n ₁ [rpm]	3000		1500		1000		750		500		150	
	F _r [N]	F _a [N]	F _r [N]	F _a [N]	F _r [N]	F _a [N]	F _r [N]	F _a [N]	F _r [N]	F _a [N]	F _r [N]	F _a [N]
< 10	250	125	310	155	350	175	400	200	450	225	550	275

Permissible radial force F_{r2} and axial force F_{a2} on shaft N₂

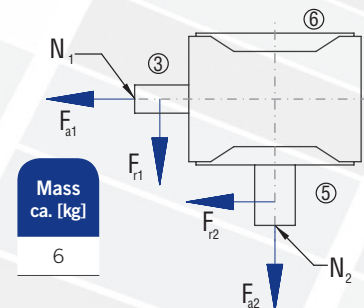
n ₂ [rpm]	200		125		75		50		30		10	
	F _r [N]	F _a [N]	F _r [N]	F _a [N]	F _r [N]	F _a [N]	F _r [N]	F _a [N]	F _r [N]	F _a [N]	F _r [N]	F _a [N]
< 80	970	485	1250	625	1380	690	1600	800	1800	900	2500	1250

Inertia moments/mass

Inertia moment J₁ related to the fast-rotating shaft (N₁)

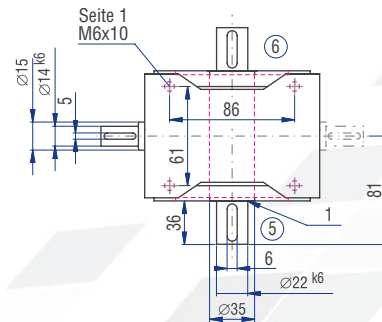
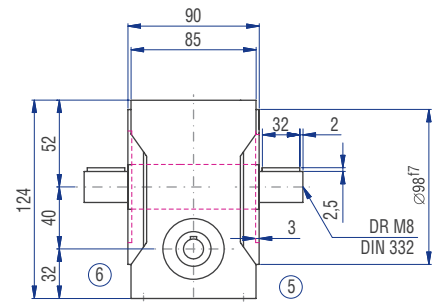
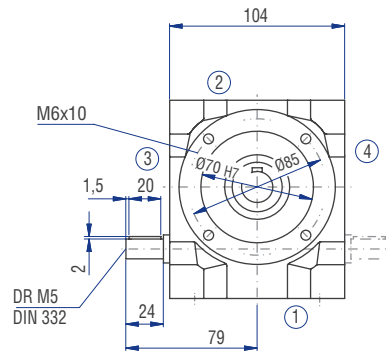
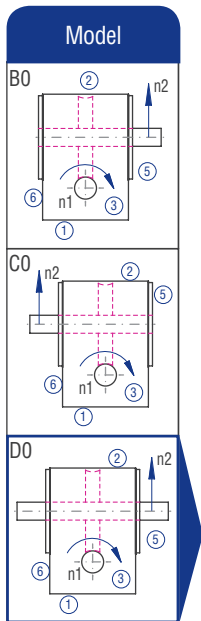
J ₁	Inertia moment [kgcm ²]											
	5:1	7.5:1	10:1	13:1	15:1	20:1	26:1	30:1	40:1	53:1	62:1	83:1
J ₁	0.33	0.25	0.18	0.15	0.19	0.15	0.13	0.18	0.14	0.12	0.13	0.12

The mass of the gearbox may deviate depending on the gear ratio and the type.

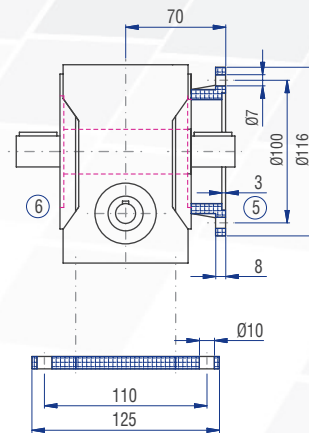
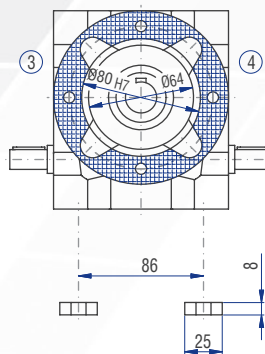
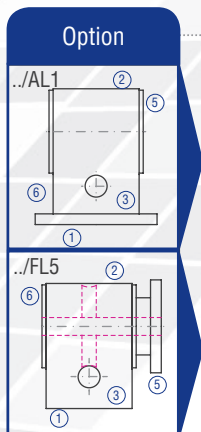
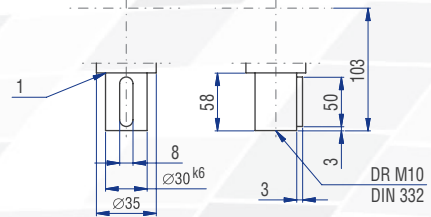


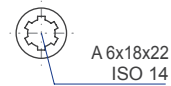
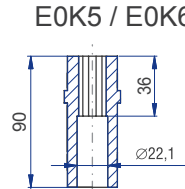
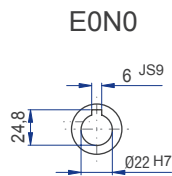
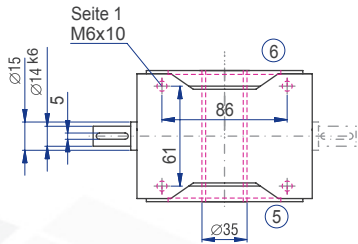
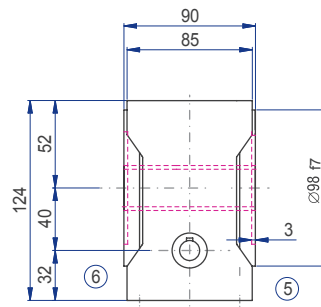
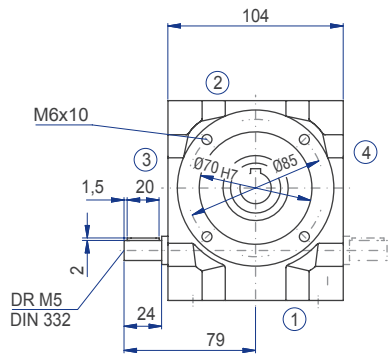
Worm gearboxes

9.3.6 Type S 040 – Standard worm gearboxes



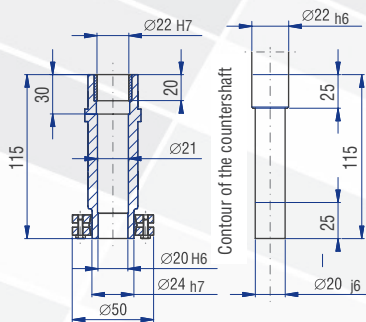
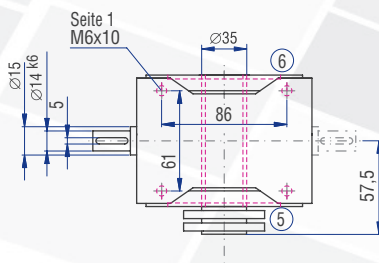
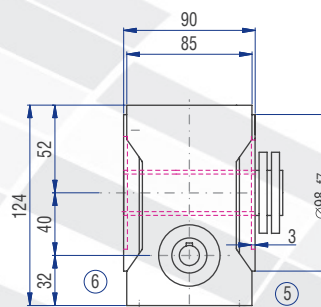
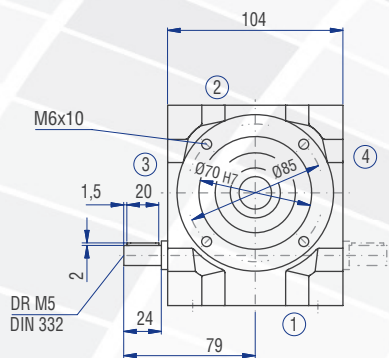
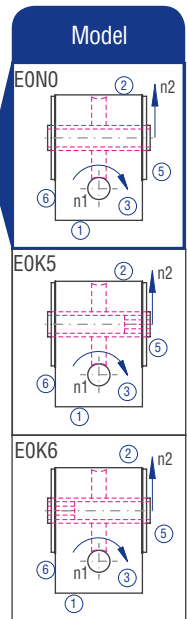
Implementation VV



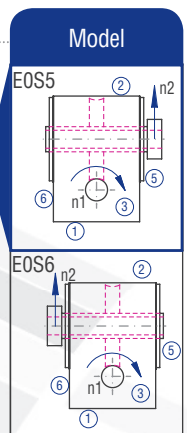


E0N0

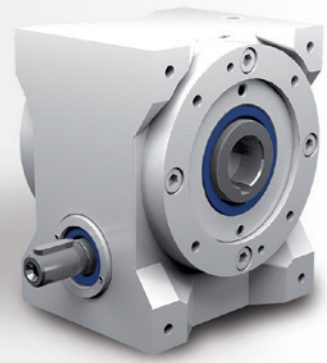
E0K5 / E0K6



Contour of the countershaft



9.3.7 Type S 050 – Standard worm gearboxes



Characteristics

Characteristic	Standard	Option
Toothing	Hardened and ground worm shaft / bronze worm gear	See chapter 9.2.1
Gear ratio	10:1 to 83:1	
Housing / Flanges	Grey cast iron	
Threaded mounting hole	On gearbox side 1 and on the flanges	See chapter 9.2.3
Shaft	Material 1 C45, shaft ends greased Fit with ISO j6 tolerance with parallel keyway: according to DIN 6885 Sheet 1	See chapter 4.6.2
Hollow shaft	Material 1 C45, shafts greased Fit with ISO H7 tolerance with parallel keyway: according to DIN 6885 Sheet 1	See chapter 4.6.3
Radial shaft seal ring	NBR, form A	See chapter 4.8
Ambient temperature	-10°C to +90°C. The values of the performance tables are valid for 20°C	See chapter 4.9.3
Circumferential backlash	< 30 arcmin	See chapter 9.2.10
Protection class	IP 54	See chapter 4.5
Corrosion protection	Prime coat; layer thickness > 40 µm	See chapter 4.4
Bearing life L10h	more than 15,000h	See chapter 4.9.1
Oil change intervals	Not required if the oil temperature is kept < 90°C The lifetime of the bearings can be increased by the factor 1.5 if the oil is changed after the first 500 service hours and then every 5000 service hours.	See chapter 9.2.8
Lubricant	Synthetic lubricants	See chapter 9.2.8

Performance data

i	i ist		n ₁ [1/min]					
			3000	1500	1000	750	500	150
10:1	38:4	n ₂ [1/min]	300,0	150,0	100,0	75,0	50,0	15,0
		P _{1N} [kW]	3,02	1,64	1,15	0,96	0,71	0,26
		T _{2N} [Nm]	85	91	94	103	112	130
		P _{1NT} [kW]	2,82	1,88	1,56	1,40	1,23	0,00
		Efficiency	0,93	0,92	0,90	0,89	0,87	0,82
20:1	38:2	n ₂ [1/min]	150,0	75,0	50,0	37,0	25,0	7,5
		P _{1N} [kW]	1,54	1,03	0,73	0,63	0,47	0,18
		T _{2N} [Nm]	81	106	110	123	133	158
		P _{1NT} [kW]	1,70	1,12	0,93	0,84	0,74	0,00
		Efficiency	0,87	0,85	0,83	0,81	0,78	0,72
30:1	29:1	n ₂ [1/min]	100,0	50,0	33,0	25,0	16,0	5,0
		P _{1N} [kW]	1,12	0,79	0,59	0,54	0,42	0,18
		T _{2N} [Nm]	82	113	121	144	157	201
		P _{1NT} [kW]	1,14	0,76	0,63	0,06	0,50	0,00
		Efficiency	0,79	0,77	0,74	0,72	0,68	0,59
40:1	38:1	n ₂ [1/min]	75,0	37,0	25,0	18,0	12,0	3,8
		P _{1N} [kW]	0,87	0,65	0,52	0,41	0,31	0,13
		T _{2N} [Nm]	80	118	134	137	147	183
		P _{1NT} [kW]	1,02	0,68	0,57	0,52	0,46	0,00
		Efficiency	0,76	0,75	0,71	0,69	0,65	0,57

i	i ist		n ₁ [1/min]					
			3000	1500	1000	750	500	150
53:1	51:1	n ₂ [1/min]	57,0	28,0	18,0	14,0	9,4	2,8
		P _{1N} [kW]	0,65	0,38	0,27	0,22	0,16	0,06
		T _{2N} [Nm]	77	85	88	91	95	110
		P _{1NT} [kW]	0,92	0,62	0,52	0,48	0,43	0,00
		Efficiency	0,73	0,69	0,67	0,64	0,61	0,55
62:1	62:1	n ₂ [1/min]	48,0	24,0	16,0	12,0	8,1	2,4
		P _{1N} [kW]	0,61	0,42	0,31	0,25	0,18	0,06
		T _{2N} [Nm]	81	105	109	112	113	113
		P _{1NT} [kW]	0,75	0,50	0,43	0,39	0,36	0,00
		Efficiency	0,67	0,64	0,60	0,57	0,53	0,45
83:1	83:1	n ₂ [1/min]	36,0	18,0	12,0	9,0	6,0	1,8
		P _{1N} [kW]	0,39	0,21	0,15	0,12	0,09	0,03
		T _{2N} [Nm]	59	63	64	66	69	75
		P _{1NT} [kW]	0,70	0,47	0,41	0,37	0,34	0,00
		Efficiency	0,58	0,56	0,54	0,52	0,49	0,44

	5:1	7.5:1	10:1	13:1	15:1	20:1	26:1	30:1	40:1	53:1	62:1	83:1
T _{2max} [Nm]	150	167	152	100	195	179	137	219	197	145	120	112

Permissible radial force F_{r1} and axial force F_{a1} on shaft N₁

n ₁ [rpm]	3000		1500		1000		750		500		150	
	F _r [N]	F _a [N]	F _r [N]	F _a [N]	F _r [N]	F _a [N]	F _r [N]	F _a [N]	F _r [N]	F _a [N]	F _r [N]	F _a [N]
< 15	590	295	730	365	820	410	940	470	1050	525	1300	650
> 15	450	225	560	280	630	315	720	360	810	405	1000	500

Permissible radial force F_{r2} and axial force F_{a2} on shaft N₂

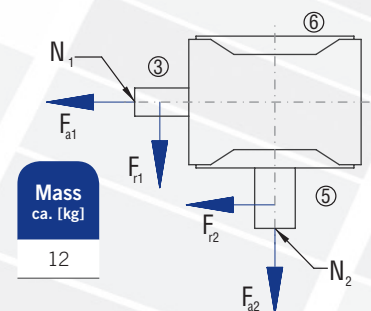
n ₂ [rpm]	200		125		75		50		30		10	
	F _r [N]	F _a [N]	F _r [N]	F _a [N]	F _r [N]	F _a [N]	F _r [N]	F _a [N]	F _r [N]	F _a [N]	F _r [N]	F _a [N]
< 120	2000	1000	2400	1200	2850	1425	3350	1675	4000	2000	4800	2400
> 120	1540	770	1850	925	2190	1095	2580	1290	3080	1540	3700	1850

Inertia moments/mass

Inertia moment J₁ related to the fast-rotating shaft (N₁)

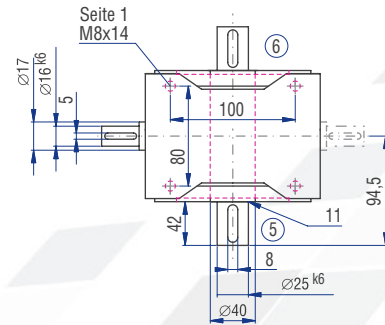
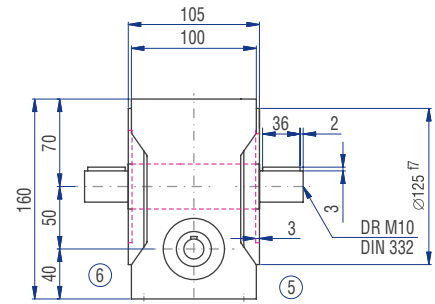
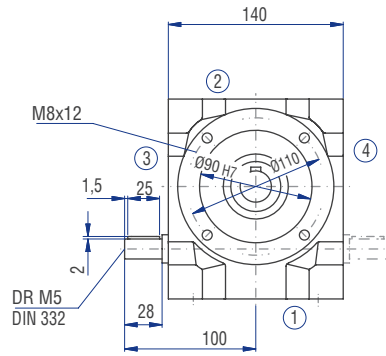
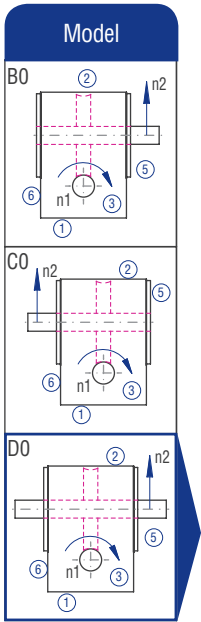
J ₁	Inertia moment [kgcm ²]											
	5:1	7.5:1	10:1	13:1	15:1	20:1	26:1	30:1	40:1	53:1	62:1	83:1
J ₁	0.95	0.73	0.58	0.49	0.60	0.50	0.44	0.57	0.48	0.42	0.47	0.42

The mass of the gearbox may deviate depending on the gear ratio and the type.

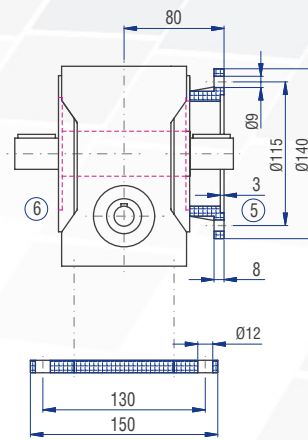
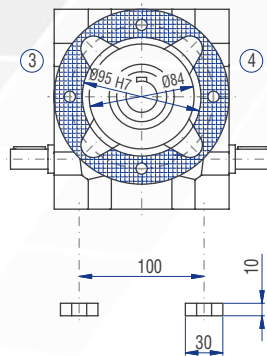
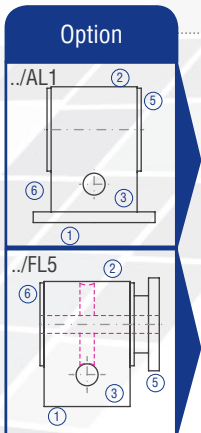
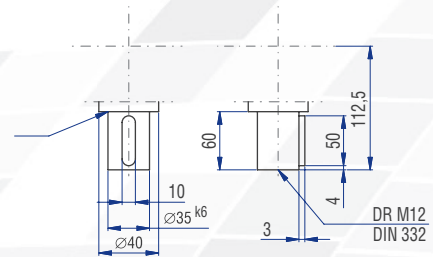


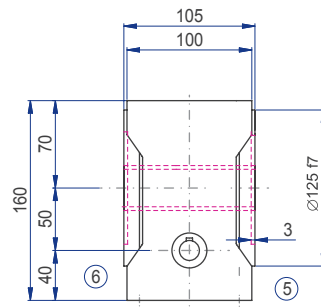
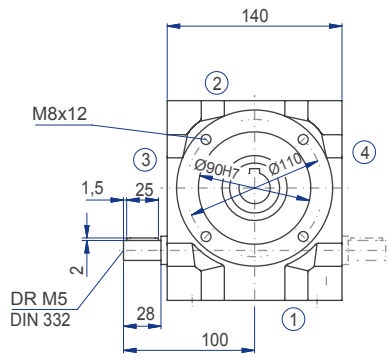
Worm gearboxes

9.3.7 Type S 050 – Standard worm gearboxes



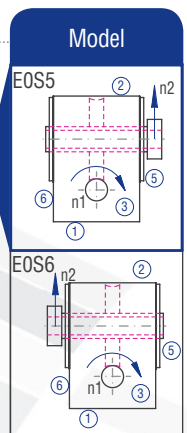
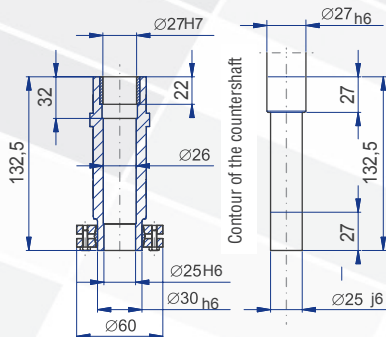
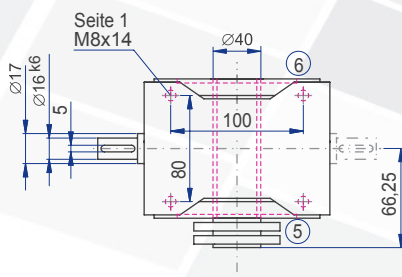
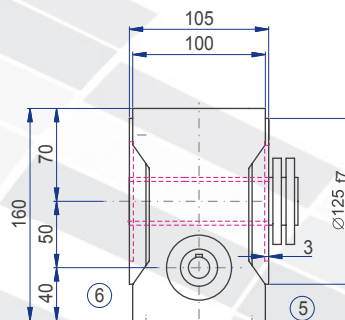
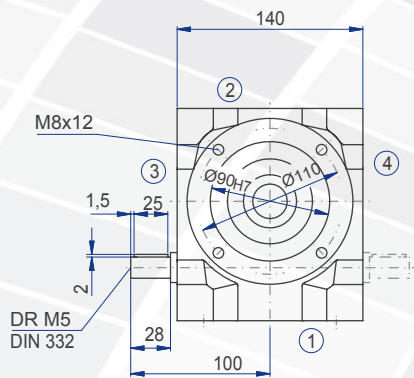
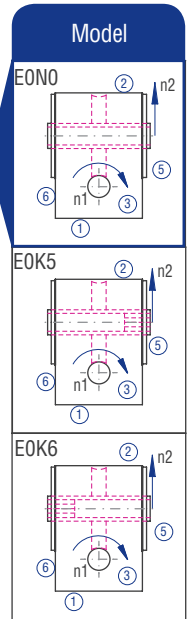
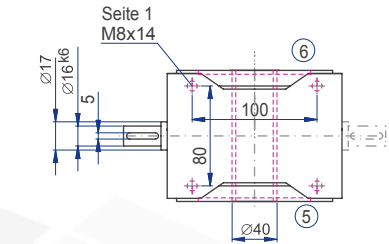
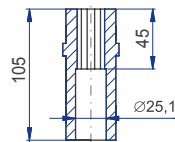
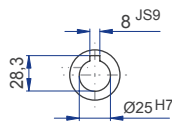
Implementation VV



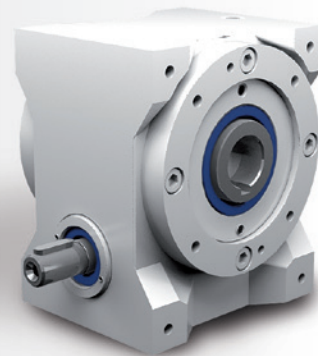


E0N0

E0K5 / E0K6



Worm
gearboxes



Characteristics

Characteristic	Standard	Option
Toothing	Hardened and ground worm shaft / bronze worm gear	See chapter 9.2.1
Gear ratio	10:1 to 83:1	
Housing / Flanges	Grey cast iron	
Threaded mounting hole	On gearbox side 1 and on the flanges	See chapter 9.2.3
Shaft	Material 1 C45, shaft ends greased Fit with ISO j6 tolerance with parallel keyway: according to DIN 6885 Sheet 1	See chapter 4.6.2
Hollow shaft	Material 1 C45, shafts greased Fit with ISO H7 tolerance with parallel keyway: according to DIN 6885 Sheet 1	See chapter 4.6.3
Radial shaft seal ring	NBR, form A	See chapter 4.8
Ambient temperature	-10°C to +90°C. The values of the performance tables are valid for 20°C	See chapter 4.9.3
Circumferential backlash	< 30 arcmin	See chapter 9.2.10
Protection class	IP 54	See chapter 4.5
Corrosion protection	Prime coat; layer thickness > 40 µm	See chapter 4.4
Bearing life L10h	more than 15,000h	See chapter 4.9.1
Oil change intervals	Not required if the oil temperature is kept < 90°C The lifetime of the bearings can be increased by the factor 1.5 if the oil is changed after the first 500 service hours and then every 5000 service hours.	See chapter 9.2.8
Lubricant	Synthetic lubricants	See chapter 9.2.8

Performance data

i	i ist		n ₁ [1/min]					
			3000	1500	1000	750	500	150
10:1	39:4	n ₂ [1/min]	300,0	150,0	100,0	75,0	50,0	15,0
		P _{1N} [kW]	4,15	2,94	2,26	1,83	1,30	0,51
		T _{2N} [Nm]	121	170	194	207	216	265
		P _{1NT} [kW]	4,16	2,89	2,41	2,15	1,86	0,00
		Efficiency	0,94	0,93	0,92	0,91	0,89	0,83
20:1	39:2	n ₂ [1/min]	150,0	75,0	50,0	37,0	25,0	7,5
		P _{1N} [kW]	2,95	1,70	1,32	1,14	0,86	0,34
		T _{2N} [Nm]	161	186	212	237	259	310
		P _{1NT} [kW]	2,52	1,73	1,44	1,29	1,12	0,00
		Efficiency	0,88	0,88	0,86	0,84	0,81	0,74
30:1	29:1	n ₂ [1/min]	100,0	50,0	33,0	25,0	16,0	5,0
		P _{1N} [kW]	1,94	1,38	1,11	0,97	0,75	0,36
		T _{2N} [Nm]	143	204	237	268	296	403
		P _{1NT} [kW]	1,66	1,15	0,97	0,86	0,75	0,00
		Efficiency	0,80	0,80	0,77	0,75	0,71	0,61
40:1	39:1	n ₂ [1/min]	75,0	37,0	25,0	18,0	12,0	3,8
		P _{1N} [kW]	1,54	1,08	0,85	0,74	0,57	0,24
		T _{2N} [Nm]	149	207	237	264	288	348
		P _{1NT} [kW]	1,50	1,04	0,87	0,78	0,69	0,00
		Efficiency	0,78	0,77	0,75	0,72	0,68	0,59

i	i ist		n ₁ [1/min]					
			3000	1500	1000	750	500	150
53:1	51:1	n ₂ [1/min]	57,0	28,0	18,0	14,0	9,4	2,8
		P _{1N} [kW]	1,16	0,80	0,58	0,47	0,34	0,14
		T _{2N} [Nm]	143	191	200	207	217	248
		P _{1NT} [kW]	1,34	0,96	0,78	0,71	0,63	0,00
		Efficiency	0,76	0,74	0,71	0,68	0,65	0,56
62:1	61:1	n ₂ [1/min]	48,0	24,0	16,0	12,0	8,1	2,4
		P _{1N} [kW]	0,82	0,66	0,53	0,46	0,34	0,12
		T _{2N} [Nm]	110	175	202	221	226	226
		P _{1NT} [kW]	1,10	0,76	0,65	0,59	0,52	0,00
		Efficiency	0,69	0,68	0,65	0,62	0,57	0,47
83:1	82:1	n ₂ [1/min]	36,0	18,0	12,0	9,0	6,0	1,8
		P _{1N} [kW]	0,75	0,46	0,33	0,26	0,19	0,07
		T _{2N} [Nm]	129	152	152	152	152	152
		P _{1NT} [kW]	0,99	0,69	0,59	0,54	0,49	0,00
		Efficiency	0,66	0,63	0,59	0,56	0,52	0,44

	5:1	7.5:1	10:1	13:1	15:1	20:1	26:1	30:1	40:1	53:1	62:1	83:1
T _{2max} [Nm]	295	334	306	222	395	355	295	437	360	310	240	246

Permissible radial force F_{r1} and axial force F_{a1} on shaft N₁

n ₁ [rpm]	3000		1500		1000		750		500		150		
	T ₁ [Nm]	F _r [N]	F _a [N]	F _r [N]	F _a [N]	F _r [N]	F _a [N]	F _r [N]	F _a [N]	F _r [N]	F _a [N]	F _r [N]	F _a [N]
< 20		820	410	1000	500	1130	565	1320	660	1420	710	1850	925
> 20		630	315	770	385	870	435	1020	510	1090	545	1420	710

Permissible radial force F_{r2} and axial force F_{a2} on shaft N₂

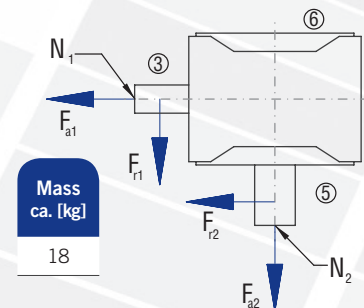
n ₂ [rpm]	200		125		75		50		30		10		
	T ₂ [Nm]	F _r [N]	F _a [N]	F _r [N]	F _a [N]	F _r [N]	F _a [N]	F _r [N]	F _a [N]	F _r [N]	F _a [N]	F _r [N]	F _a [N]
< 220		2700	1350	3150	1575	3800	1900	4500	2250	5200	2600	5200	2600
> 220		2080	1040	2420	1210	2920	1460	3460	1730	4000	2000	4000	2000

Inertia moments/mass

Inertia moment J₁ related to the fast-rotating shaft (N₁)

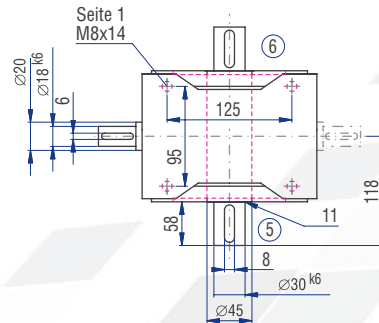
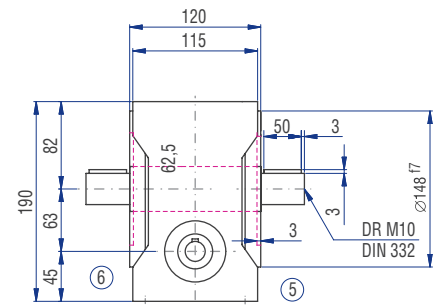
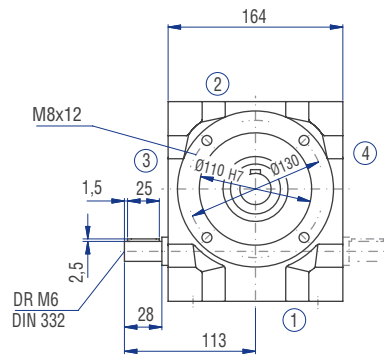
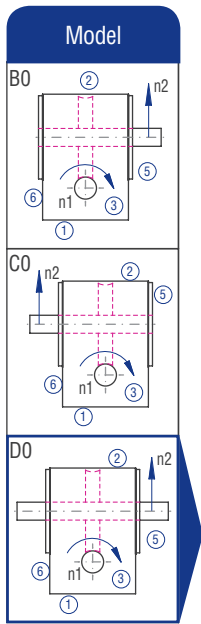
J ₁	Inertia moment [kgcm ²]											
	5:1	7.5:1	10:1	13:1	15:1	20:1	26:1	30:1	40:1	53:1	62:1	83:1
J ₁	2.17	1.64	1.14	0.94	1.33	0.94	0.82	1.25	0.90	0.79	0.97	0.80

The mass of the gearbox may deviate depending on the gear ratio and the type.

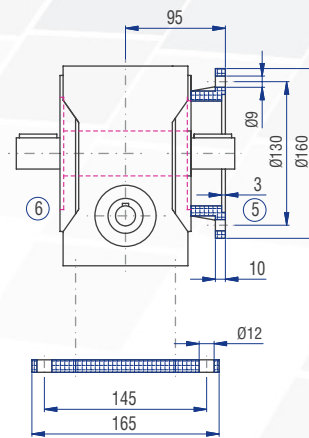
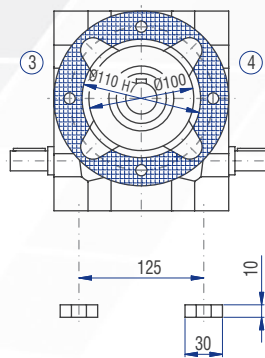
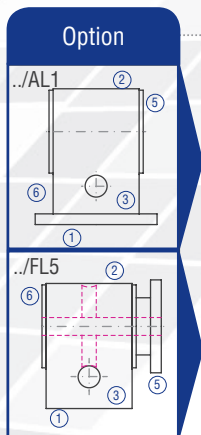
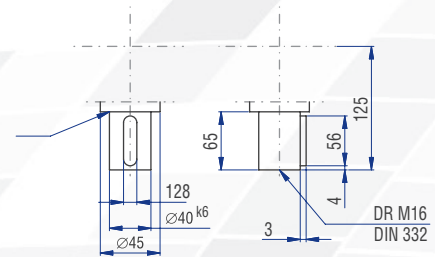


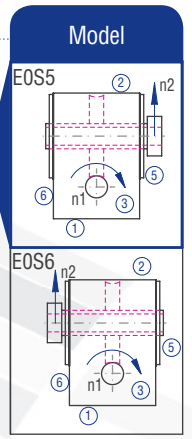
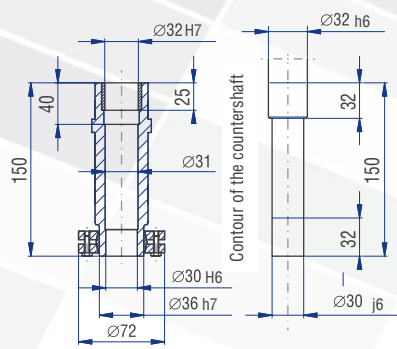
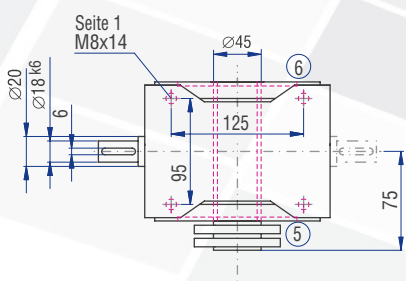
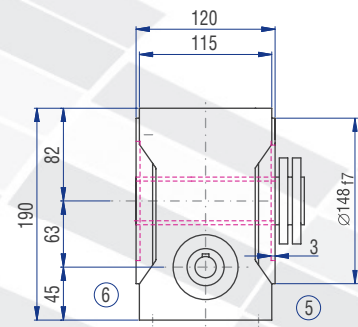
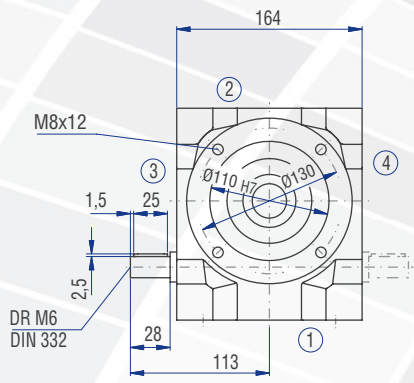
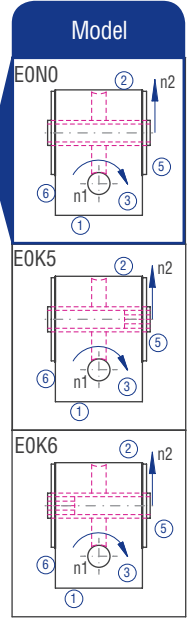
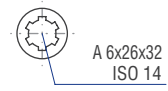
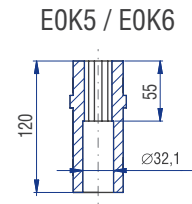
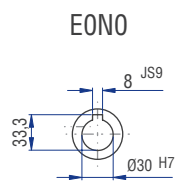
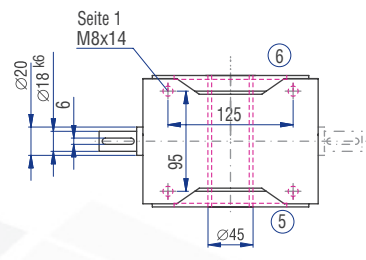
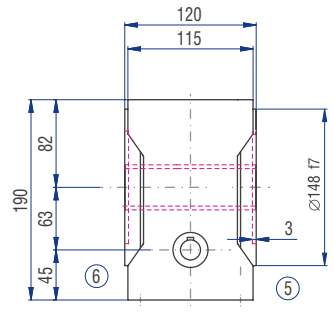
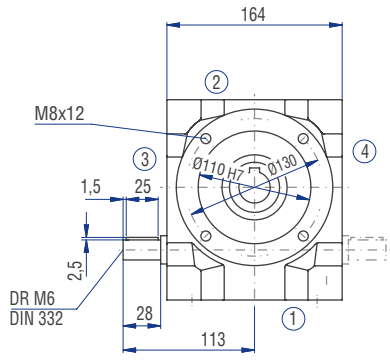
Worm gearboxes

9.3.8 Type S 063 – Standard worm gearboxes

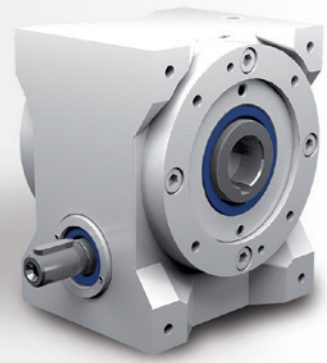


Implementation VV





Worm
gearboxes



Characteristics

Characteristic	Standard	Option
Toothing	Hardened and ground worm shaft / bronze worm gear	See chapter 9.2.1
Gear ratio	10:1 to 83:1	
Housing / Flanges	Grey cast iron	
Threaded mounting hole	On gearbox side 1 and on the flanges	See chapter 9.2.3
Shaft	Material 1 C45, shaft ends greased Fit with ISO j6 tolerance with parallel keyway: according to DIN 6885 Sheet 1	See chapter 4.6.2
Hollow shaft	Material 1 C45, shafts greased Fit with ISO H7 tolerance with parallel keyway: according to DIN 6885 Sheet 1	See chapter 4.6.3
Radial shaft seal ring	NBR, form A	See chapter 4.8
Ambient temperature	-10°C to +90°C. The values of the performance tables are valid for 20°C	See chapter 4.9.3
Circumferential backlash	< 30 arcmin	See chapter 9.2.10
Protection class	IP 54	See chapter 4.5
Corrosion protection	Prime coat; layer thickness > 40 µm	See chapter 4.4
Bearing life L10h	more than 15,000h	See chapter 4.9.1
Oil change intervals	Not required if the oil temperature is kept < 90°C The lifetime of the bearings can be increased by the factor 1.5 if the oil is changed after the first 500 service hours and then every 5000 service hours.	See chapter 9.2.8
Lubricant	Synthetic lubricants	See chapter 9.2.8

Performance data

i	i ist		n ₁ [1/min]					
			3000	1500	1000	750	500	150
10:1	40:4	n ₂ [1/min]	300,0	150,0	100,0	75,0	50,0	15,0
		P _{1N} [kW]	6,58	4,96	3,79	3,15	2,35	0,96
		T _{2N} [Nm]	197	297	340	373	408	513
		P _{1NT} [kW]	5,92	4,47	3,79	3,36	2,86	0,00
		Efficiency	0,94	0,94	0,94	0,93	0,91	0,84
20:1	40:2	n ₂ [1/min]	150,0	75,0	50,0	37,0	25,0	7,5
		P _{1N} [kW]	4,24	3,04	2,37	2,05	1,57	0,64
		T _{2N} [Nm]	240	344	399	450	498	615
		P _{1NT} [kW]	3,59	2,67	2,26	2,01	1,72	0,00
		Efficiency	0,89	0,89	0,88	0,86	0,83	0,75
30:1	30:1	n ₂ [1/min]	100,0	50,0	33,0	25,0	16,0	5,0
		P _{1N} [kW]	3,47	2,52	2,03	1,78	1,38	0,63
		T _{2N} [Nm]	272	395	456	530	593	760
		P _{1NT} [kW]	2,41	1,81	1,54	1,38	1,18	0,00
		Efficiency	0,82	0,82	0,80	0,78	0,75	0,63
40:1	40:1	n ₂ [1/min]	75,0	37,0	25,0	18,0	12,0	3,8
		P _{1N} [kW]	2,62	1,87	1,49	1,31	1,02	0,40
		T _{2N} [Nm]	267	381	443	501	553	625
		P _{1NT} [kW]	2,14	1,58	1,35	1,21	1,05	0,00
		Efficiency	0,80	0,80	0,78	0,75	0,71	0,61

i	i ist		n ₁ [1/min]					
			3000	1500	1000	750	500	150
53:1	53:1	n ₂ [1/min]	57,0	28,0	18,0	14,0	9,4	2,8
		P _{1N} [kW]	1,78	1,04	0,76	0,61	0,45	0,18
		T _{2N} [Nm]	234	271	284	294	308	352
		P _{1NT} [kW]	1,93	1,41	1,20	1,09	0,96	0,00
		Efficiency	0,78	0,77	0,74	0,71	0,68	0,58
62:1	62:1	n ₂ [1/min]	48,0	24,0	16,0	12,0	8,1	2,4
		P _{1N} [kW]	1,40	1,01	0,81	0,69	0,54	0,23
		T _{2N} [Nm]	194	279	325	352	393	448
		P _{1NT} [kW]	1,55	1,15	0,98	0,89	0,78	0,00
		Efficiency	0,70	0,70	0,68	0,65	0,61	0,49
83:1	82:1	n ₂ [1/min]	36,0	18,0	12,0	9,0	6,0	1,8
		P _{1N} [kW]	1,10	0,90	0,64	0,49	0,35	0,13
		T _{2N} [Nm]	196	304	304	304	304	304
		P _{1NT} [kW]	1,43	1,04	0,90	0,82	0,73	0,00
		Efficiency	0,68	0,65	0,61	0,59	0,55	0,46

	5:1	7.5:1	10:1	13:1	15:1	20:1	26:1	30:1	40:1	53:1	62:1	83:1
T _{2max} [Nm]	610	695	625	321	826	725	432	920	780	480	480	510

Permissible radial force F_{r1} and axial force F_{a1} on shaft N₁

n ₁ [rpm]	3000		1500		1000		750		500		150		
	T ₁ [Nm]	F _r [N]	F _a [N]	F _r [N]	F _a [N]	F _r [N]	F _a [N]	F _r [N]	F _a [N]	F _r [N]	F _a [N]	F _r [N]	F _a [N]
< 35	1000	500	1250	625	1420	710	1600	800	1780	890	2200	1100	
> 35	770	385	960	480	1090	545	1230	615	1470	735	1690	845	

Permissible radial force F_{r2} and axial force F_{a2} on shaft N₂

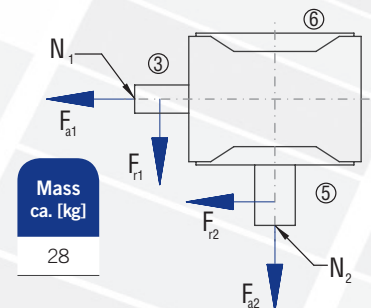
n ₂ [rpm]	200		125		75		50		30		10		
	T ₂ [Nm]	F _r [N]	F _a [N]	F _r [N]	F _a [N]	F _r [N]	F _a [N]	F _r [N]	F _a [N]	F _r [N]	F _a [N]	F _r [N]	F _a [N]
< 430	3300	1650	3750	1875	4500	2250	5300	2650	6300	3150	7600	3800	
> 430	2640	1320	3000	1500	3600	1800	4240	2120	5040	2520	6080	3040	

Inertia moments/mass

Inertia moment J₁ related to the fast-rotating shaft (N₁)

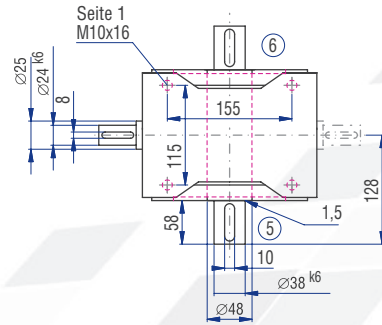
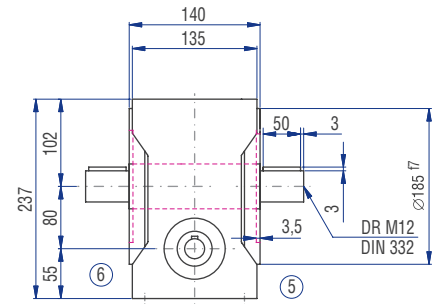
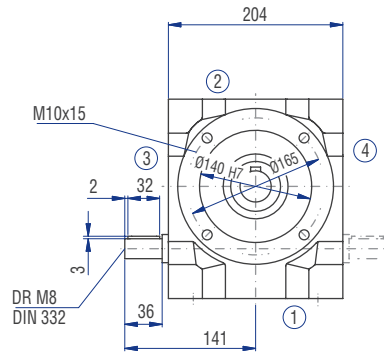
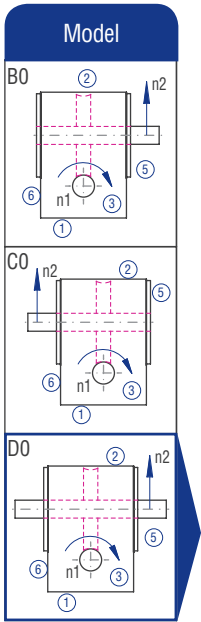
J ₁	Inertia moment [kgcm ²]											
	5:1	7.5:1	10:1	13:1	15:1	20:1	26:1	30:1	40:1	53:1	62:1	83:1
J ₁	5.82	4.22	2.96	2.26	3.26	2.40	1.91	3.01	2.26	1.82	2.51	1.91

The mass of the gearbox may deviate depending on the gear ratio and the type.

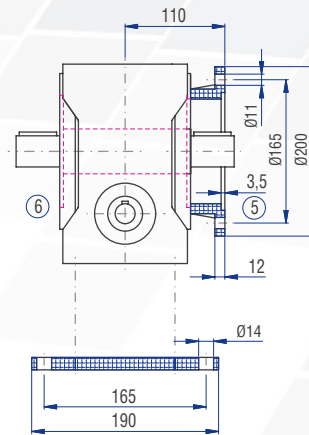
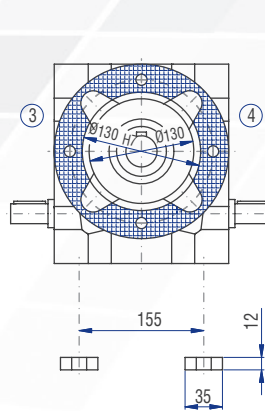
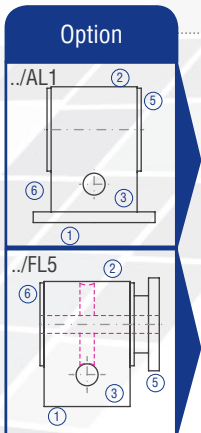
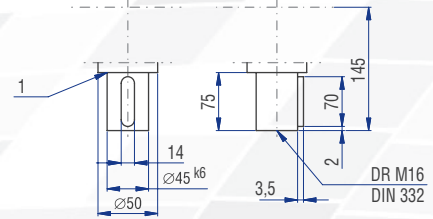


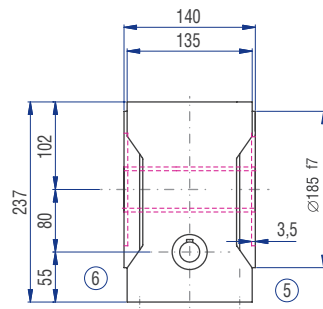
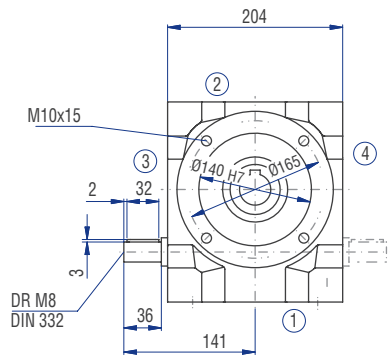
Worm gearboxes

9.3.9 Type S 080 – Standard worm gearboxes



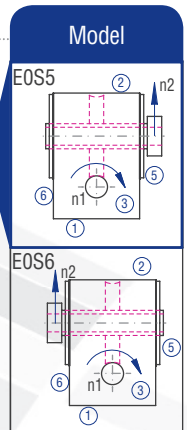
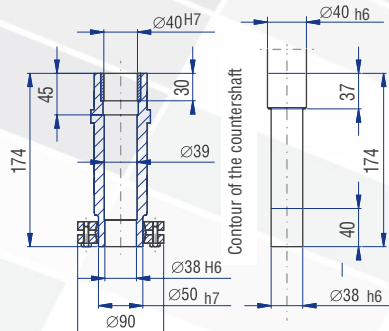
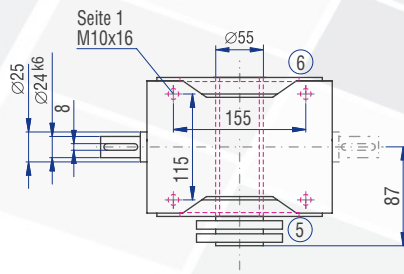
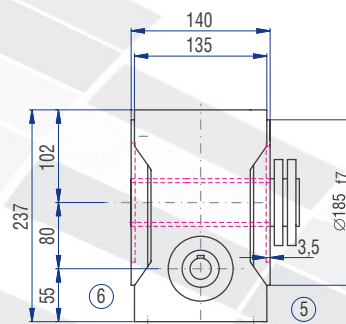
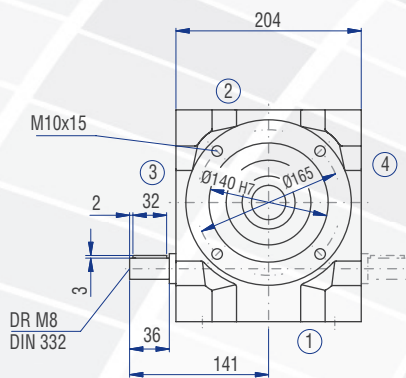
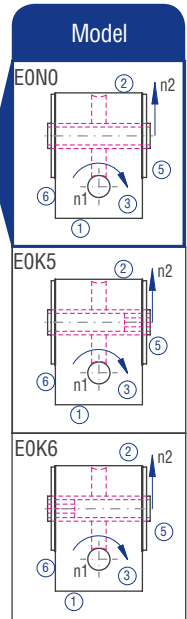
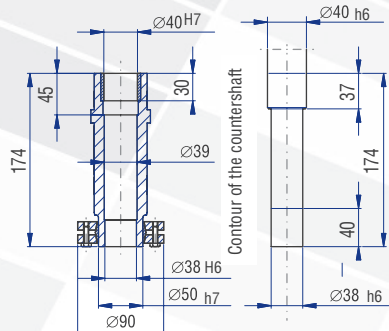
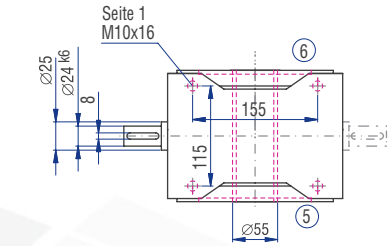
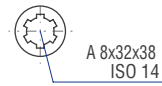
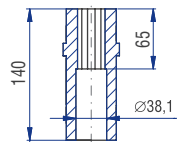
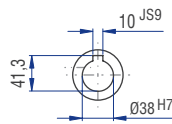
Implementation VV





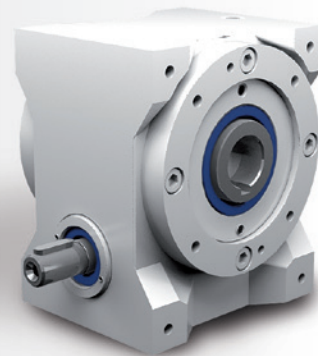
EON0

EOK5 / EOK6



Worm
gearboxes

9.3.10 Type S 100 – Standard worm gearboxes



Characteristics

Characteristic	Standard	Option
Toothing	Hardened and ground worm shaft / bronze worm gear	See chapter 9.2.1
Gear ratio	10:1 to 83:1	
Housing / Flanges	Grey cast iron	
Threaded mounting hole	On gearbox side 1 and on the flanges	See chapter 9.2.3
Shaft	Material 1 C45, shaft ends greased Fit with ISO j6 tolerance with parallel keyway: according to DIN 6885 Sheet 1	See chapter 4.6.2
Hollow shaft	Material 1 C45, shafts greased Fit with ISO H7 tolerance with parallel keyway: according to DIN 6885 Sheet 1	See chapter 4.6.3
Radial shaft seal ring	NBR, form A	See chapter 4.8
Ambient temperature	-10°C to +90°C. The values of the performance tables are valid for 20°C	See chapter 4.9.3
Circumferential backlash	< 30 arcmin	See chapter 9.2.10
Protection class	IP 54	See chapter 4.5
Corrosion protection	Prime coat; layer thickness > 40 µm	See chapter 4.4
Bearing life L10h	more than 15,000h	See chapter 4.9.1
Oil change intervals	Not required if the oil temperature is kept < 90°C The lifetime of the bearings can be increased by the factor 1.5 if the oil is changed after the first 500 service hours and then every 5000 service hours.	See chapter 9.2.8
Lubricant	Synthetic lubricants	See chapter 9.2.8

Performance data

i	i ist		n ₁ [1/min]					
			3000	1500	1000	750	500	150
10:1	40:4	n ₂ [1/min]	300,0	150,0	100,0	75,0	50,0	15,0
		P _{1N} [kW]	18,55	11,75	8,95	7,45	5,79	2,02
		T _{2N} [Nm]	555	703	803	882	1.006	1.095
		P _{1NT} [kW]	8,57	6,35	5,49	4,95	4,30	0,00
		Efficiency	0,94	0,94	0,94	0,93	0,91	0,85
20:1	40:2	n ₂ [1/min]	150,0	75,0	50,0	37,0	25,0	7,5
		P _{1N} [kW]	10,84	6,87	5,28	4,45	3,47	1,49
		T _{2N} [Nm]	614	778	888	975	1.112	1.441
		P _{1NT} [kW]	5,44	3,99	3,44	3,10	2,69	0,00
		Efficiency	0,89	0,89	0,88	0,86	0,84	0,76
30:1	30:1	n ₂ [1/min]	100,0	50,0	33,0	25,0	16,0	5,0
		P _{1N} [kW]	7,53	4,78	3,60	3,19	2,51	1,18
		T _{2N} [Nm]	590	748	825	950	1.080	1.437
		P _{1NT} [kW]	3,50	2,60	2,27	2,06	1,81	0,00
		Efficiency	0,82	0,82	0,80	0,78	0,75	0,64
40:1	40:1	n ₂ [1/min]	75,0	37,0	25,0	18,0	12,0	3,8
		P _{1N} [kW]	6,33	4,01	3,13	2,65	2,13	1,00
		T _{2N} [Nm]	645	817	933	1.025	1.169	1.581
		P _{1NT} [kW]	3,32	2,42	2,09	1,90	1,67	0,00
		Efficiency	0,80	0,80	0,78	0,76	0,72	0,62

i	i ist		n ₁ [1/min]					
			3000	1500	1000	750	500	150
53:1	52:1	n ₂ [1/min]	57,0	28,0	18,0	14,0	9,4	2,8
		P _{1N} [kW]	4,76	2,63	1,92	1,53	1,11	0,45
		T _{2N} [Nm]	615	670	704	728	762	870
		P _{1NT} [kW]	3,04	2,19	1,88	1,71	1,51	0,00
		Efficiency	0,78	0,77	0,74	0,72	0,69	0,59
62:1	63:1	n ₂ [1/min]	48,0	24,0	16,0	12,0	8,1	2,4
		P _{1N} [kW]	4,59	2,91	2,17	1,70	1,21	0,44
		T _{2N} [Nm]	645	817	886	886	886	886
		P _{1NT} [kW]	2,39	1,74	1,52	1,39	1,24	0,00
		Efficiency	0,70	0,70	0,68	0,65	0,61	0,50
83:1	82:1	n ₂ [1/min]	36,0	18,0	12,0	9,0	6,0	1,8
		P _{1N} [kW]	3,33	1,74	1,23	0,94	0,67	0,24
		T _{2N} [Nm]	591	599	599	599	599	599
		P _{1NT} [kW]	2,24	1,61	1,40	1,28	1,15	0,00
		Efficiency	0,68	0,66	0,62	0,61	0,57	0,47

	5:1	7.5:1	10:1	13:1	15:1	20:1	26:1	30:1	40:1	53:1	62:1	83:1
T _{2max} [Nm]	1190	1360	1090	736	1610	1440	980	1765	1582	1080	1040	1000

Permissible radial force F_{r1} and axial force F_{a1} on shaft N₁

n ₁ [rpm]	3000		1500		1000		750		500		150	
	F _r [N]	F _a [N]	F _r [N]	F _a [N]	F _r [N]	F _a [N]	F _r [N]	F _a [N]	F _r [N]	F _a [N]	F _r [N]	F _a [N]
< 80	1250	625	1600	800	1800	900	2000	1000	2250	1125	2650	1325
> 80	960	480	1230	615	1380	690	1540	770	1730	865	2040	1020

Permissible radial force F_{r2} and axial force F_{a2} on shaft N₂

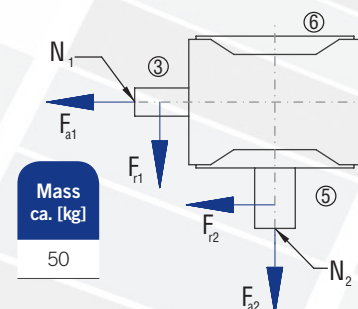
n ₂ [rpm]	200		125		75		50		30		10	
	F _r [N]	F _a [N]	F _r [N]	F _a [N]	F _r [N]	F _a [N]	F _r [N]	F _a [N]	F _r [N]	F _a [N]	F _r [N]	F _a [N]
< 800	3650	1825	4000	2000	4750	2375	5600	2800	6700	3350	9500	4750
> 800	2920	1460	3200	1600	3800	1900	4480	2240	5360	2680	7600	3800

Inertia moments/mass

Inertia moment J₁ related to the fast-rotating shaft (N₁)

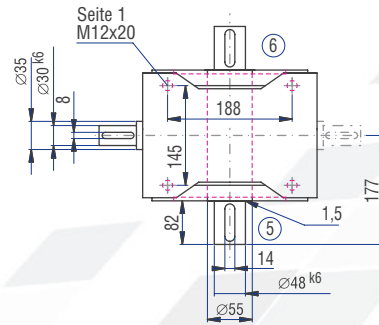
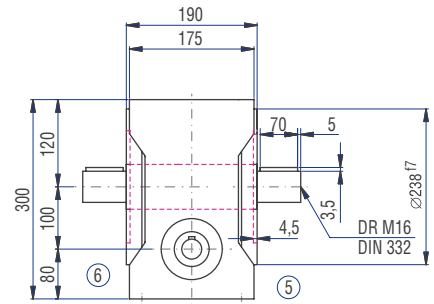
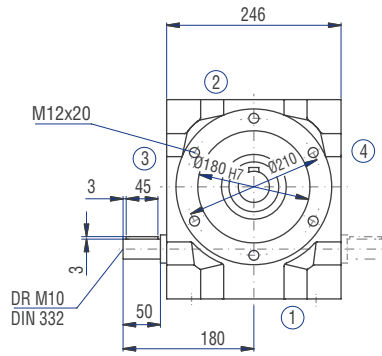
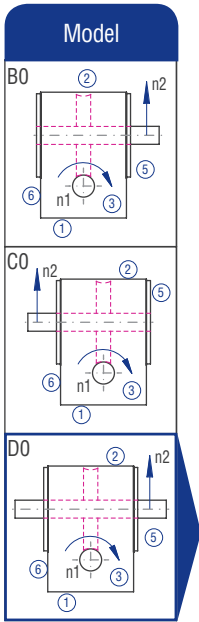
	Inertia moment [kgcm ²]											
	5:1	7.5:1	10:1	13:1	15:1	20:1	26:1	30:1	40:1	53:1	62:1	83:1
J ₁	22.38	17.88	14.03	12.28	15.17	12.37	11.34	14.50	11.96	11.10	12.56	11.34

The mass of the gearbox may deviate depending on the gear ratio and the type.

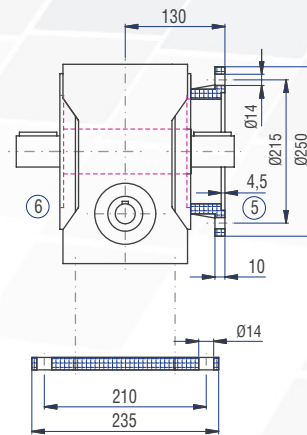
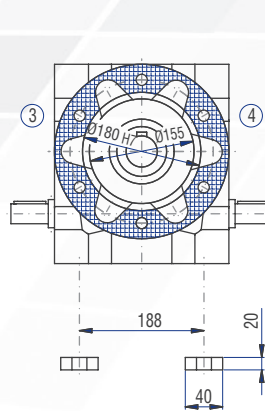
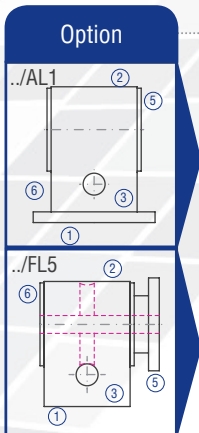
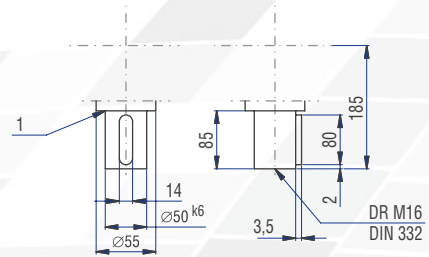


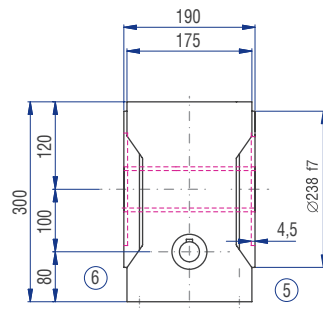
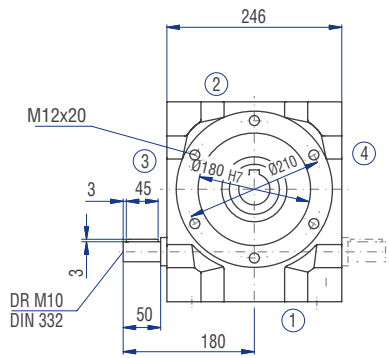
Worm gearboxes

9.3.10 Type S 100 – Standard worm gearboxes



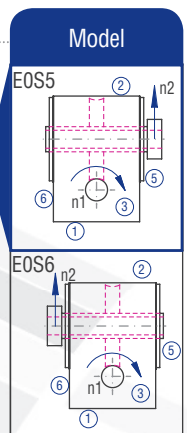
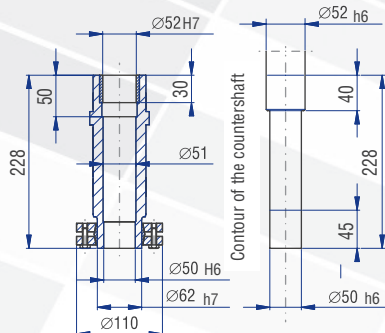
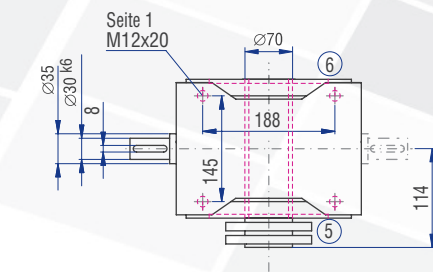
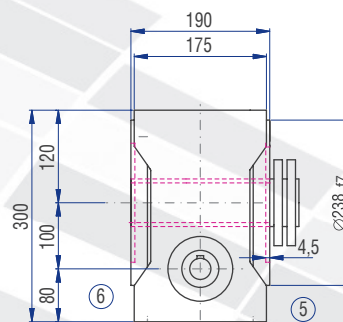
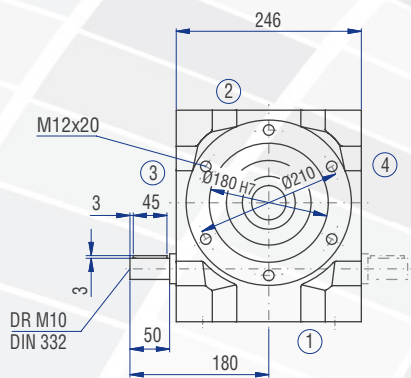
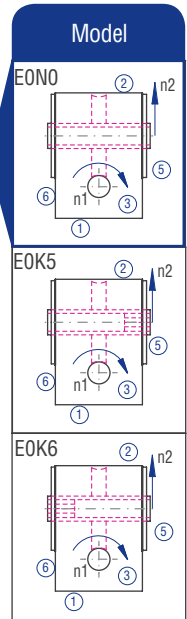
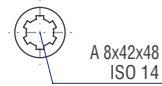
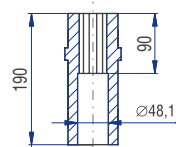
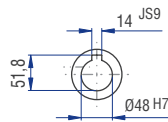
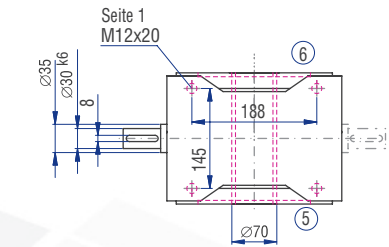
Implementation VV





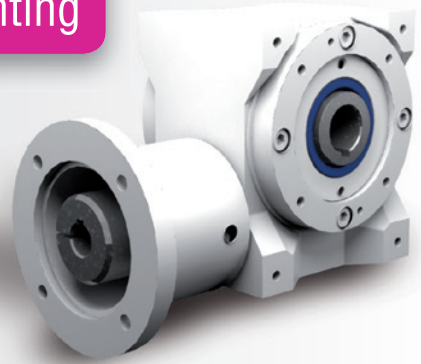
EON0

EOK5 / EOK6



Worm
gearboxes

9.4 Type SL – Type S with flange for motor mounting



9.4.1 Features

- Nominal gear ratios: $i = 10:1$ to $83:1$
- Maximum output torque: 1765 Nm
- 5 sizes, centre-to-centre distance of 040 to 100 mm
- Low-backlash construction < 6 angular minutes possible
- Suitable for fitting IEC standard motors
- Drive side with hollow-bored shaft and flange
- Housing made of grey cast iron

9.4.2 Models

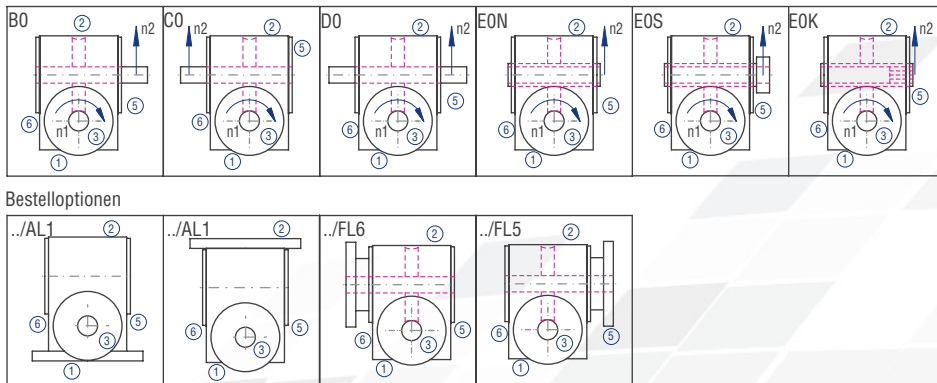


Figure 9.4.2-1; Models

9.4.3 Gearbox sides

The example shows the Model B0 (right picture without motor flange)

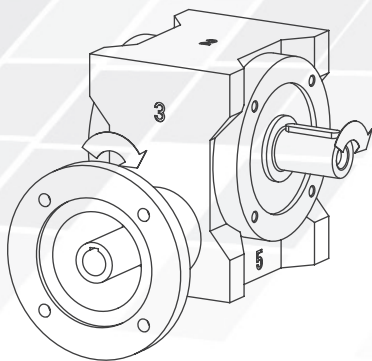


Figure 9.4.3-1; Gearbox sides

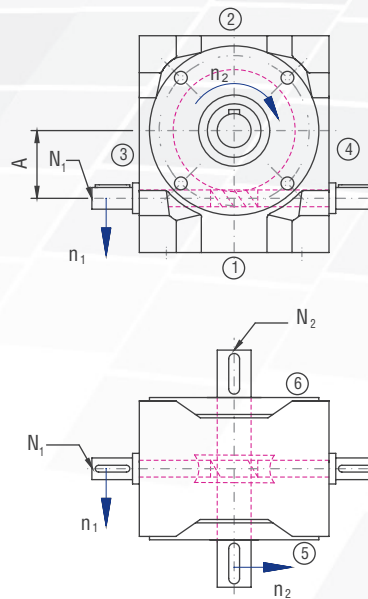


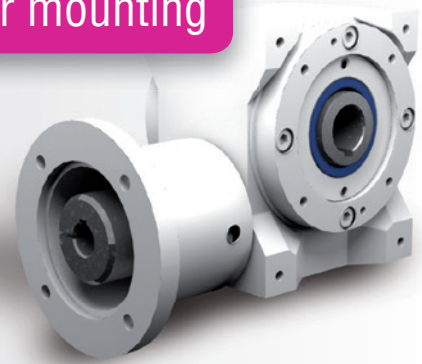
Figure 9.4.3-2; Shaft designations

9.4.4 Order code

The order code reflects the customer specifications. Example:

Type	Size	Gear ratio	Model	Fixing side	Installation position	Speed n_2	Design
SL	063	10:1	B0-	1.	1-	150	/0000
Description	Centre-to-centre distance A; Table 9.4.5-1	Table 9.4.5-1	Figure 9.4.2-1; Models	Side on which fixing is made; Table 9.2.3-1; Figure 4.3.1-1 Gearbox sides	Side directed downwards; Figure 4.3.1-1 Gearbox sides	Slowly rotating shaft; Table 9.4.5-1	Standard
	D120	/14x30					
	Flange diameter	Shaft diameter x length					
	Table 9.4.4-1						

9.4.6 Type SL 040 – Type S with flange for motor mounting



Characteristics

Characteristic	Standard	Option
Toothing	Hardened and ground worm shaft / bronze worm gear	See chapter 9.2.1
Gear ratio	10:1 to 83:1	
Housing / Flanges	Grey cast iron	
Threaded mounting hole	On gearbox side 1 and on the flanges	See chapter 9.2.3
Shaft	Material 1 C45, shaft ends greased Fit with ISO j6 tolerance with parallel keyway: according to DIN 6885 Sheet 1	See chapter 4.6.2
Hollow shaft	Material 1 C45, shafts greased Fit with ISO H7 tolerance with parallel keyway: according to DIN 6885 Sheet 1	See chapter 4.6.3
Radial shaft seal ring	NBR, form A	See chapter 4.8
Ambient temperature	-10°C to +90°C. The values of the performance tables are valid for 20°C	See chapter 4.9.3
Circumferential backlash	< 30 arcmin	See chapter 9.2.10
Protection class	IP 54	See chapter 4.5
Corrosion protection	Prime coat; layer thickness > 40 µm	See chapter 4.4.1
Bearing life L10h	more than 15,000h	See chapter 4.9.1
Oil change intervals	Not required if the oil temperature is kept below 90°C. The lifetime of the bearings can be increased by the factor 1.5 if the oil is changed after the first 500 service hours and then every 5000 service hours.	See chapter 9.2.8
Lubricants	Synthetic lubricants	See chapter 9.2.8
Flange	Suited for the mounting of IEC motors, models IM B5 and B14	
Coupling	Three-piece claw coupling	

Performance data

i	i ist		n ₁ [1/min]					
			3000	1500	1000	750	500	150
10:1	39:4	n ₂ [1/min]	300,0	150,0	100,0	75,0	50,0	15,0
		P _{1N} [kW]	1,39	0,77	0,55	0,43	0,32	0,13
		T _{2N} [Nm]	39	43	45	47	50	64
		P _{1NT} [kW]	1,28	0,83	0,69	0,63	0,87	0,00
		Efficiency	0,91	0,90	0,88	0,87	0,85	0,81
20:1	39:2	n ₂ [1/min]	150,0	75,0	50,0	37,0	25,0	7,5
		P _{1N} [kW]	0,82	0,49	0,36	0,28	0,21	0,09
		T _{2N} [Nm]	43	50	53	55	58	75
		P _{1NT} [kW]	0,77	0,49	0,42	0,38	0,34	0,00
		Efficiency	0,84	0,82	0,80	0,78	0,76	0,71
30:1	29:1	n ₂ [1/min]	100,0	50,0	33,0	25,0	16,0	5,0
		P _{1N} [kW]	0,53	0,37	0,29	0,24	0,18	0,08
		T _{2N} [Nm]	36	50	57	60	65	82
		P _{1NT} [kW]	0,51	0,33	0,28	0,26	0,23	0,00
		Efficiency	0,75	0,73	0,70	0,68	0,64	0,57
40:1	39:1	n ₂ [1/min]	75,0	37,0	25,0	18,0	12,0	3,8
		P _{1N} [kW]	0,48	0,32	0,25	0,20	0,15	0,07
		T _{2N} [Nm]	44	56	63	66	71	91
		P _{1NT} [kW]	0,46	0,30	0,25	0,23	0,21	0,00
		Efficiency	0,72	0,70	0,67	0,65	0,62	0,56

i	i ist		n ₁ [1/min]					
			3000	1500	1000	750	500	150
53:1	52:1	n ₂ [1/min]	57,0	28,0	18,0	14,0	9,4	2,8
		P _{1N} [kW]	0,39	0,21	0,15	0,13	0,09	0,04
		T _{2N} [Nm]	44	46	48	51	55	72
		P _{1NT} [kW]	0,42	0,28	0,24	0,22	0,20	0,00
		Efficiency	0,68	0,65	0,63	0,61	0,59	0,55
62:1	63:1	n ₂ [1/min]	48,0	24,0	16,0	12,0	8,1	2,4
		P _{1N} [kW]	0,36	0,20	0,15	0,12	0,09	0,03
		T _{2N} [Nm]	45	48	51	53	56	57
		P _{1NT} [kW]	0,35	0,23	0,20	0,18	0,16	0,00
		Efficiency	0,63	0,59	0,56	0,54	0,51	0,45
83:1	82:1	n ₂ [1/min]	36,0	18,0	12,0	9,0	6,0	1,8
		P _{1N} [kW]	0,25	0,14	0,10	0,08	0,05	0,02
		T _{2N} [Nm]	36	37	38	38	38	38
		P _{1NT} [kW]	0,32	0,21	0,18	0,17	0,15	0,00
		Efficiency	0,56	0,52	0,50	0,48	0,46	0,42

	5:1	7.5:1	10:1	13:1	15:1	20:1	26:1	30:1	40:1	53:1	62:1	83:1
T _{2max} [Nm]	73	83	77	59	97	90	77	107	99	87	72	64

Permissible radial force F_{r2} and axial force F_{a2} on shaft N₂

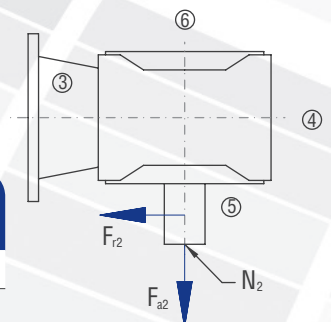
n ₂ [rpm]	200		125		75		50		30		10	
	F _r [N]	F _a [N]	F _r [N]	F _a [N]	F _r [N]	F _a [N]	F _r [N]	F _a [N]	F _r [N]	F _a [N]	F _r [N]	F _a [N]
< 80	970	485	1250	625	1380	690	1600	800	1800	900	2500	1250

Inertia moments/mass

Inertia moment J₁ related to the fast-rotating shaft (N₁)

J ₁	Inertia moment [kgcm ²]											
	5:1	7.5:1	10:1	13:1	15:1	20:1	26:1	30:1	40:1	53:1	62:1	83:1
J ₁	0,68	0,60	0,53	0,50	0,54	0,50	0,48	0,53	0,49	0,47	0,48	0,47

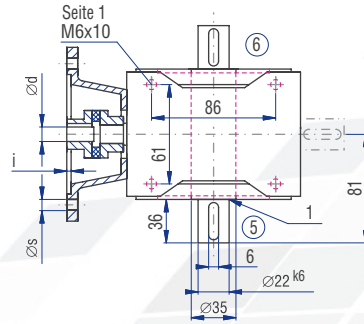
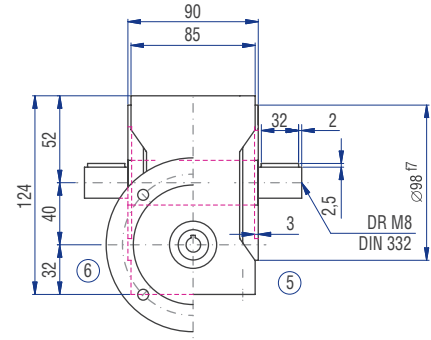
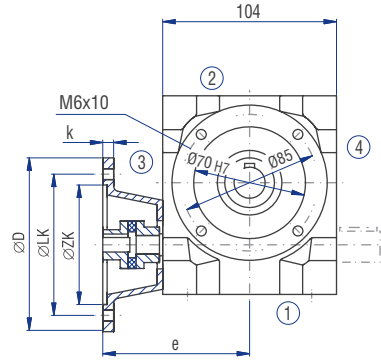
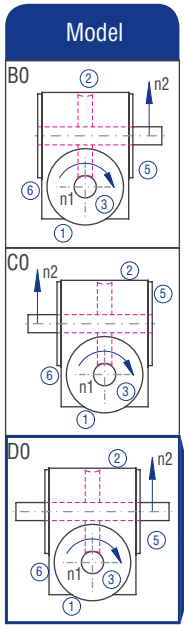
Mass
ca. [kg]
7



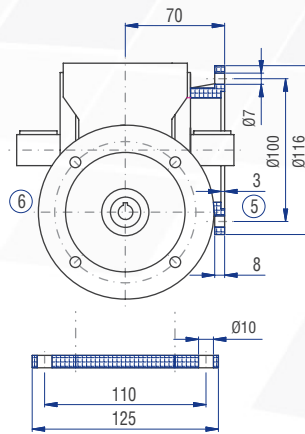
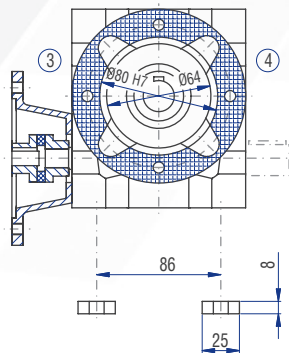
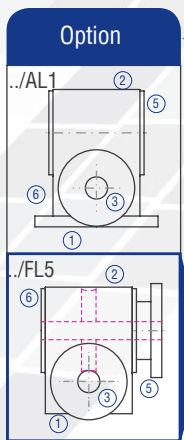
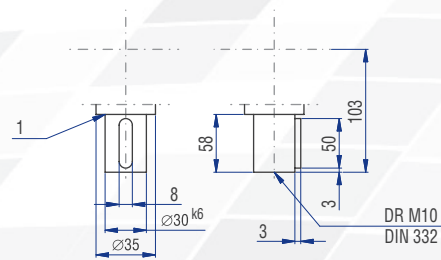
The mass of the gearbox may deviate depending on the flange size, the type and the gear ratio.

Worm
gearboxes

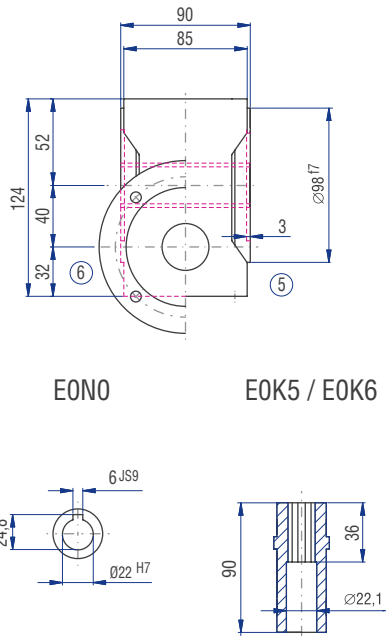
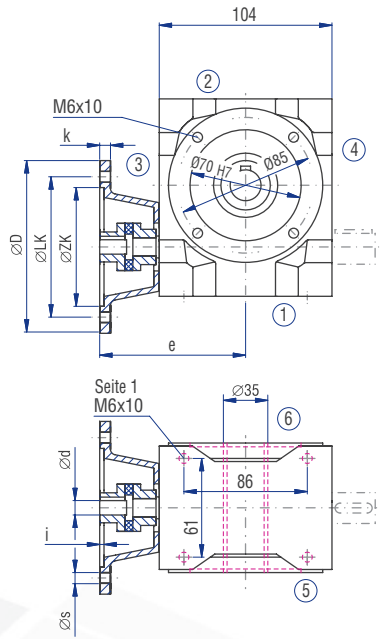
9.4.6 Type SL 040 – Type S with flange for motor mounting



Implementation VV

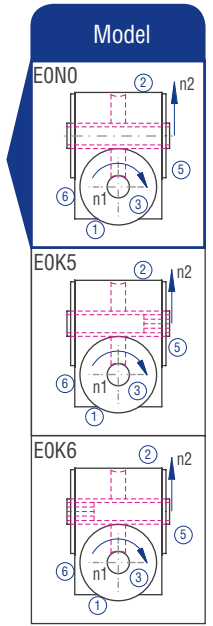
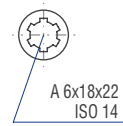


IEC motor	Model	Motor shaft (dxl)	Flange diameter D [mm]	LK [mm]	ZK [mm]	s [mm]	i [mm]	k [mm]	e [mm]
63	B14	11x23	120	100	80	7	3	10	121
	B5	11x23	140	115	95	9	3	10	121
71	B14	14x30	140	115	95	9	3	10	121
	B14	14x30	105	85	70	7	3	10	121

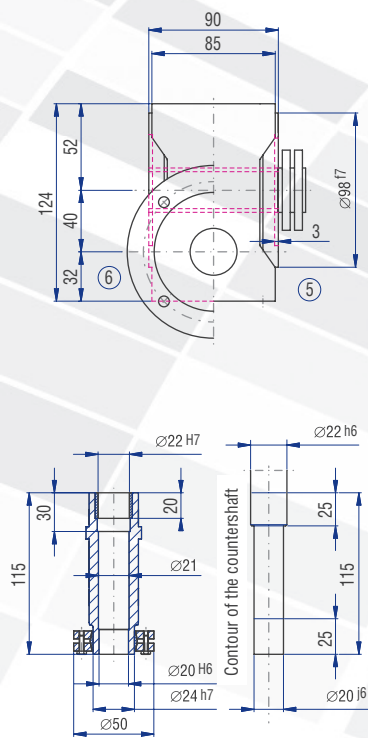
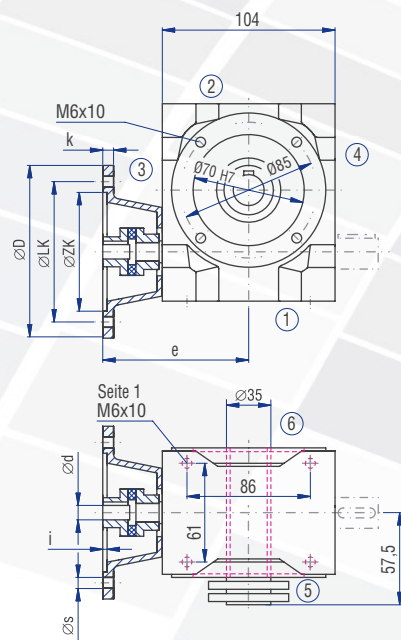


EON0

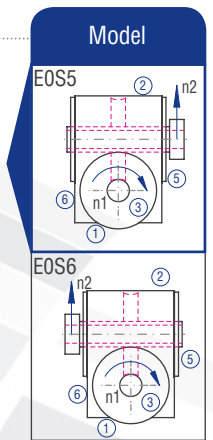
EOK5 / EOK6



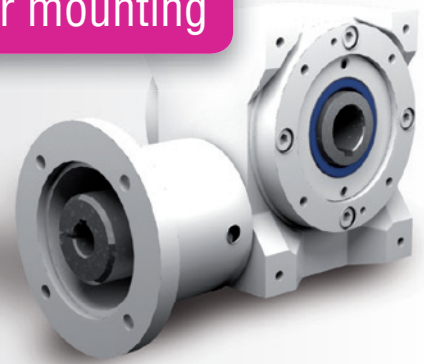
Worm
gearboxes



Contour of the countershaft



9.4.7 Type SL 050 – Type S with flange for motor mounting



Characteristics

Characteristic	Standard	Option
Toothing	Hardened and ground worm shaft / bronze worm gear	See chapter 9.2.1
Gear ratio	10:1 to 83:1	
Housing / Flanges	Grey cast iron	
Threaded mounting hole	On gearbox side 1 and on the flanges	See chapter 9.2.3
Shaft	Material 1 C45, shaft ends greased Fit with ISO j6 tolerance with parallel keyway: according to DIN 6885 Sheet 1	See chapter 4.6.2
Hollow shaft	Material 1 C45, shafts greased Fit with ISO H7 tolerance with parallel keyway: according to DIN 6885 Sheet 1	See chapter 4.6.3
Radial shaft seal ring	NBR, form A	See chapter 4.8
Ambient temperature	-10°C to +90°C. The values of the performance tables are valid for 20°C	See chapter 4.9.3
Circumferential backlash	< 30 arcmin	See chapter 9.2.10
Protection class	IP 54	See chapter 4.5
Corrosion protection	Prime coat; layer thickness > 40 µm	See chapter 4.4.1
Bearing life L10h	more than 15,000h	See chapter 4.9.1
Oil change intervals	Not required if the oil temperature is kept below 90°C. The lifetime of the bearings can be increased by the factor 1.5 if the oil is changed after the first 500 service hours and then every 5000 service hours.	See chapter 9.2.8
Lubricants	Synthetic lubricants	See chapter 9.2.8
Flange	Suited for the mounting of IEC motors, models IM B5 and B14	
Coupling	Three-piece claw coupling	

Performance data

i	i ist		n ₁ [1/min]					
			3000	1500	1000	750	500	150
10:1	38:4	n ₂ [1/min]	300,0	150,0	100,0	75,0	50,0	15,0
		P _{1N} [kW]	3,02	1,64	1,15	0,96	0,71	0,26
		T _{2N} [Nm]	85	91	94	103	112	130
		P _{1NT} [kW]	2,82	1,88	1,56	1,40	1,23	0,00
		Efficiency	0,93	0,92	0,90	0,89	0,87	0,82
20:1	38:2	n ₂ [1/min]	150,0	75,0	50,0	37,0	25,0	7,5
		P _{1N} [kW]	1,54	1,03	0,73	0,63	0,47	0,18
		T _{2N} [Nm]	81	106	110	123	133	158
		P _{1NT} [kW]	1,70	1,12	0,93	0,84	0,74	0,00
		Efficiency	0,87	0,85	0,83	0,81	0,78	0,72
30:1	29:1	n ₂ [1/min]	100,0	50,0	33,0	25,0	16,0	5,0
		P _{1N} [kW]	1,12	0,79	0,59	0,54	0,42	0,18
		T _{2N} [Nm]	82	113	121	144	157	201
		P _{1NT} [kW]	1,14	0,76	0,63	0,06	0,50	0,00
		Efficiency	0,79	0,77	0,74	0,72	0,68	0,59
40:1	38:1	n ₂ [1/min]	75,0	37,0	25,0	18,0	12,0	3,8
		P _{1N} [kW]	0,87	0,65	0,52	0,41	0,31	0,13
		T _{2N} [Nm]	80	118	134	137	147	183
		P _{1NT} [kW]	1,02	0,68	0,57	0,52	0,46	0,00
		Efficiency	0,76	0,75	0,71	0,69	0,65	0,57

i	i ist		n ₁ [1/min]					
			3000	1500	1000	750	500	150
53:1	51:1	n ₂ [1/min]	57,0	28,0	18,0	14,0	9,4	2,8
		P _{1N} [kW]	0,65	0,38	0,27	0,22	0,16	0,06
		T _{2N} [Nm]	77	85	88	91	95	110
		P _{1NT} [kW]	0,92	0,62	0,52	0,48	0,43	0,00
		Efficiency	0,73	0,69	0,67	0,64	0,61	0,55
62:1	62:1	n ₂ [1/min]	48,0	24,0	16,0	12,0	8,1	2,4
		P _{1N} [kW]	0,61	0,42	0,31	0,25	0,18	0,06
		T _{2N} [Nm]	81	105	109	112	113	113
		P _{1NT} [kW]	0,75	0,50	0,43	0,39	0,36	0,00
		Efficiency	0,67	0,64	0,60	0,57	0,53	0,45
83:1	83:1	n ₂ [1/min]	36,0	18,0	12,0	9,0	6,0	1,8
		P _{1N} [kW]	0,39	0,21	0,15	0,12	0,09	0,03
		T _{2N} [Nm]	59	63	64	66	69	75
		P _{1NT} [kW]	0,70	0,47	0,41	0,37	0,34	0,00
		Efficiency	0,58	0,56	0,54	0,52	0,49	0,44

	5:1	7.5:1	10:1	13:1	15:1	20:1	26:1	30:1	40:1	53:1	62:1	83:1
T _{2max} [Nm]	150	167	152	100	195	179	137	219	197	145	120	112

Permissible radial force F_{r2} and axial force F_{a2} on shaft N₂

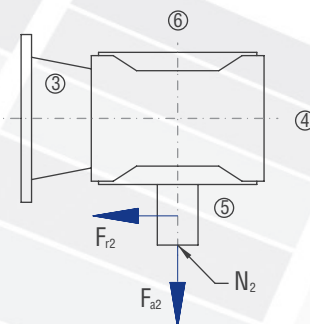
n ₂ [rpm]	200		125		75		50		30		10	
	F _r [N]	F _a [N]	F _r [N]	F _a [N]	F _r [N]	F _a [N]	F _r [N]	F _a [N]	F _r [N]	F _a [N]	F _r [N]	F _a [N]
< 120	2000	1000	2400	1200	2850	1425	3350	1675	4000	2000	4800	2400
> 120	1540	770	1850	925	2190	1095	2580	1290	3080	1540	3700	1850

Inertia moments/mass

Inertia moment J₁ related to the fast-rotating shaft (N₁)

J ₁	Inertia moment [kgcm ²]											
	5:1	7.5:1	10:1	13:1	15:1	20:1	26:1	30:1	40:1	53:1	62:1	83:1
J ₁	2.03	1.81	1.66	1.57	1.68	1.58	1.52	1.65	1.56	1.50	1.55	1.50

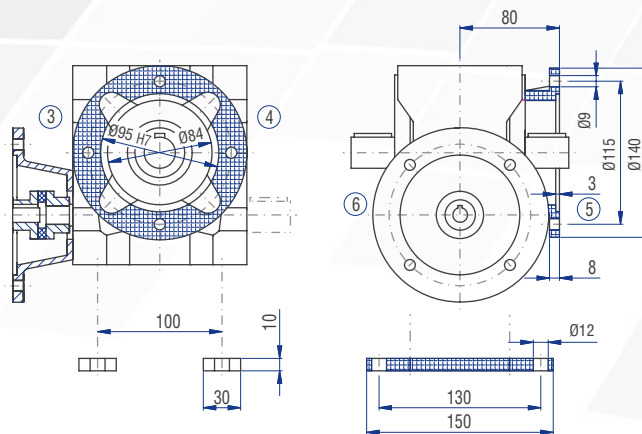
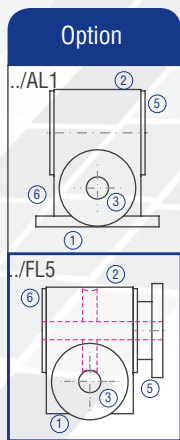
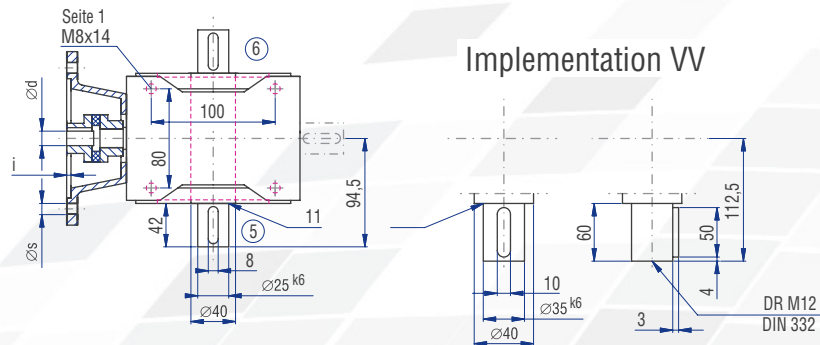
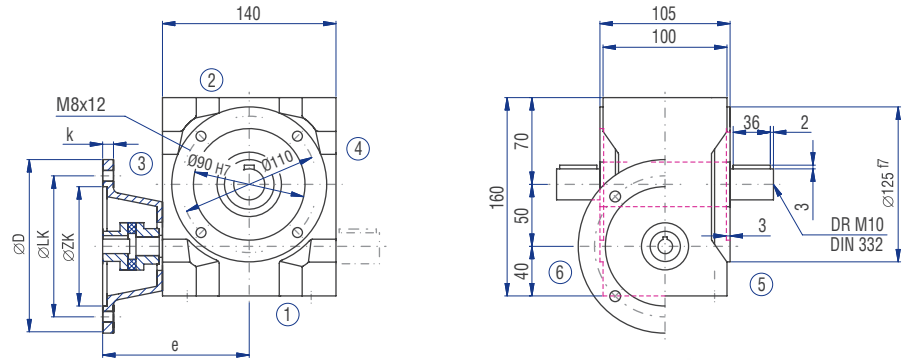
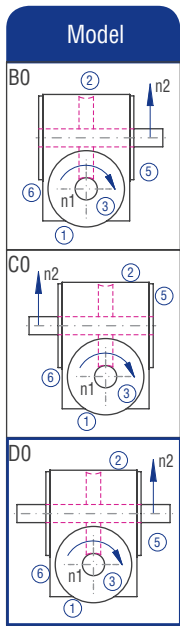
Mass ca. [kg]
14



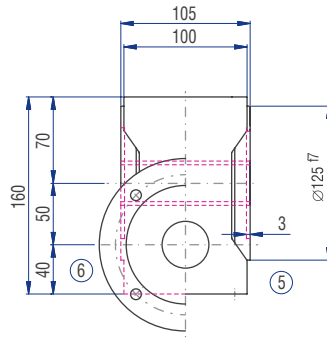
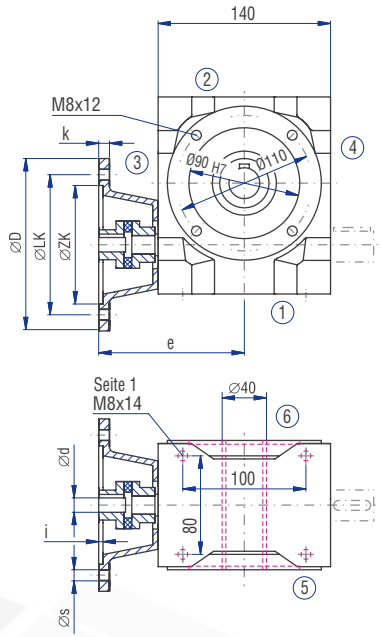
The mass of the gearbox may deviate depending on the flange size, the type and the gear ratio.

Worm gearboxes

9.4.7 Type SL 050 – Type S with flange for motor mounting

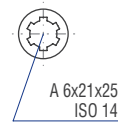
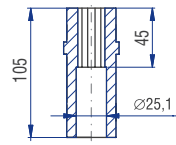
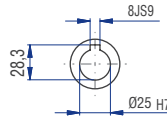


IEC motor	Model	Motor shaft (dxl)	Flange diameter D [mm]	LK [mm]	ZK [mm]	s [mm]	i [mm]	k [mm]	e [mm]
63	B14	11x23	120	100	80	7	3	9	150
	B14	19x40	120	100	80	7	3	9	150
80	B14	19x40	160	130	110	9	4	10	150
	B14	24x50	160a	130	110	9	4	20	160

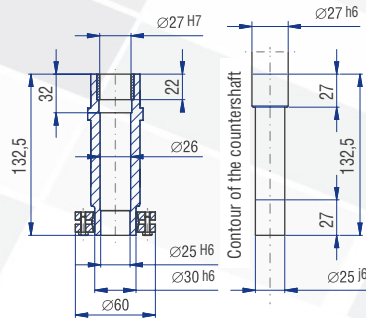
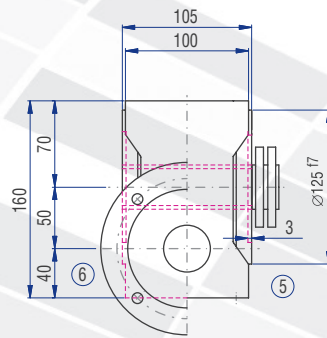
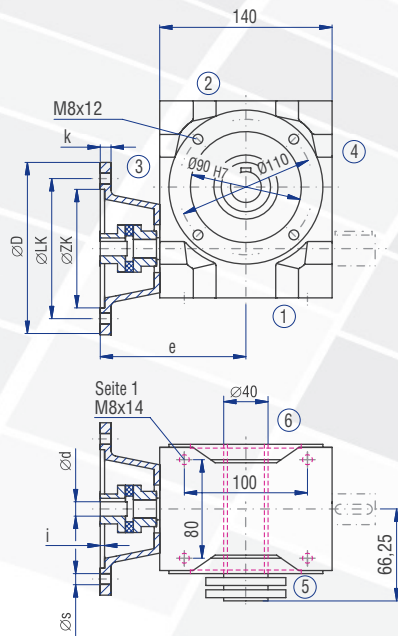
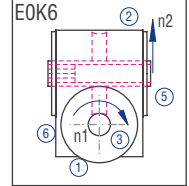
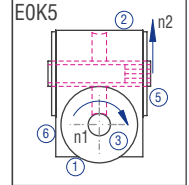
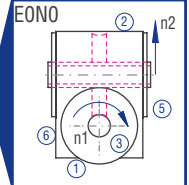


EON0

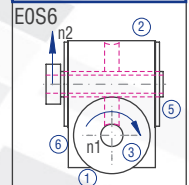
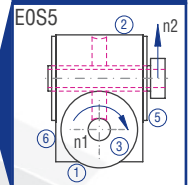
EOK5 / EOK6



Model

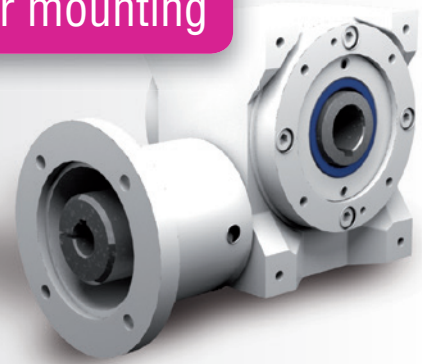


Model



Worm
gearboxes

9.4.8 Type SL 063 – Type S with flange for motor mounting



Characteristics

Characteristic	Standard	Option
Toothing	Hardened and ground worm shaft / bronze worm gear	See chapter 9.2.1
Gear ratio	10:1 to 83:1	
Housing / Flanges	Grey cast iron	
Threaded mounting hole	On gearbox side 1 and on the flanges	See chapter 9.2.3
Shaft	Material 1 C45, shaft ends greased Fit with ISO j6 tolerance with parallel keyway: according to DIN 6885 Sheet 1	See chapter 4.6.2
Hollow shaft	Material 1 C45, shafts greased Fit with ISO H7 tolerance with parallel keyway: according to DIN 6885 Sheet 1	See chapter 4.6.3
Radial shaft seal ring	NBR, form A	See chapter 4.8
Ambient temperature	-10°C to +90°C. The values of the performance tables are valid for 20°C	See chapter 4.9.3
Circumferential backlash	< 30 arcmin	See chapter 9.2.10
Protection class	IP 54	See chapter 4.5
Corrosion protection	Prime coat; layer thickness > 40 µm	See chapter 4.4.1
Bearing life L10h	more than 15,000h	See chapter 4.9.1
Oil change intervals	Not required if the oil temperature is kept below 90°C. The lifetime of the bearings can be increased by the factor 1.5 if the oil is changed after the first 500 service hours and then every 5000 service hours.	See chapter 9.2.8
Lubricants	Synthetic lubricants	See chapter 9.2.8
Flange	Suited for the mounting of IEC motors, models IM B5 and B14	
Coupling	Three-piece claw coupling	

Performance data

i	i ist		n ₁ [1/min]					
			3000	1500	1000	750	500	150
10:1	39:4	n ₂ [1/min]	300,0	150,0	100,0	75,0	50,0	15,0
		P _{1N} [kW]	4,15	2,94	2,26	1,83	1,30	0,51
		T _{2N} [Nm]	121	170	194	207	216	265
		P _{1NT} [kW]	4,16	2,89	2,41	2,15	1,86	0,00
		Efficiency	0,94	0,93	0,92	0,91	0,89	0,83
20:1	39:2	n ₂ [1/min]	150,0	75,0	50,0	37,0	25,0	7,5
		P _{1N} [kW]	2,95	1,70	1,32	1,14	0,86	0,34
		T _{2N} [Nm]	161	186	212	237	259	310
		P _{1NT} [kW]	2,52	1,73	1,44	1,29	1,12	0,00
		Efficiency	0,88	0,88	0,86	0,84	0,81	0,74
30:1	29:1	n ₂ [1/min]	100,0	50,0	33,0	25,0	16,0	5,0
		P _{1N} [kW]	1,94	1,38	1,11	0,97	0,75	0,36
		T _{2N} [Nm]	143	204	237	268	296	403
		P _{1NT} [kW]	1,66	1,15	0,97	0,86	0,75	0,00
		Efficiency	0,80	0,80	0,77	0,75	0,71	0,61
40:1	39:1	n ₂ [1/min]	75,0	37,0	25,0	18,0	12,0	3,8
		P _{1N} [kW]	1,54	1,08	0,85	0,74	0,57	0,24
		T _{2N} [Nm]	149	207	237	264	288	348
		P _{1NT} [kW]	1,50	1,04	0,87	0,78	0,69	0,00
		Efficiency	0,78	0,77	0,75	0,72	0,68	0,59

i	i ist		n ₁ [1/min]					
			3000	1500	1000	750	500	150
53:1	51:1	n ₂ [1/min]	57,0	28,0	18,0	14,0	9,4	2,8
		P _{1N} [kW]	1,16	0,80	0,58	0,47	0,34	0,14
		T _{2N} [Nm]	143	191	200	207	217	248
		P _{1NT} [kW]	1,34	0,96	0,78	0,71	0,63	0,00
		Efficiency	0,76	0,74	0,71	0,68	0,65	0,56
62:1	61:1	n ₂ [1/min]	48,0	24,0	16,0	12,0	8,1	2,4
		P _{1N} [kW]	0,82	0,66	0,53	0,46	0,34	0,12
		T _{2N} [Nm]	110	175	202	221	226	226
		P _{1NT} [kW]	1,10	0,76	0,65	0,59	0,52	0,00
		Efficiency	0,69	0,68	0,65	0,62	0,57	0,47
83:1	82:1	n ₂ [1/min]	36,0	18,0	12,0	9,0	6,0	1,8
		P _{1N} [kW]	0,75	0,46	0,33	0,26	0,19	0,07
		T _{2N} [Nm]	129	152	152	152	152	152
		P _{1NT} [kW]	0,99	0,69	0,59	0,54	0,49	0,00
		Efficiency	0,66	0,63	0,59	0,56	0,52	0,44

	5:1	7.5:1	10:1	13:1	15:1	20:1	26:1	30:1	40:1	53:1	62:1	83:1
T _{2max} [Nm]	295	334	306	222	395	355	295	437	360	310	240	246

Permissible radial force F_{r2} and axial force F_{a2} on shaft N₂

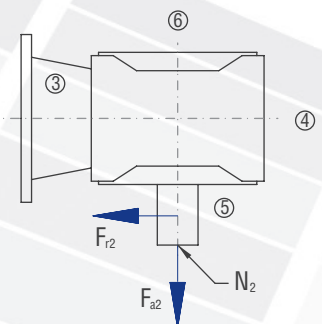
n ₂ [rpm]	200		125		75		50		30		10		
	T ₂ [Nm]	F _r [N]	F _a [N]	F _r [N]	F _a [N]	F _r [N]	F _a [N]	F _r [N]	F _a [N]	F _r [N]	F _a [N]	F _r [N]	F _a [N]
< 220		2700	1350	3150	1575	3800	1900	4500	2250	5200	2600	5200	2600
> 220		2080	1040	2420	1210	2920	1460	3460	1730	4000	2000	4000	2000

Inertia moments/mass

Inertia moment J₁ related to the fast-rotating shaft (N₁)

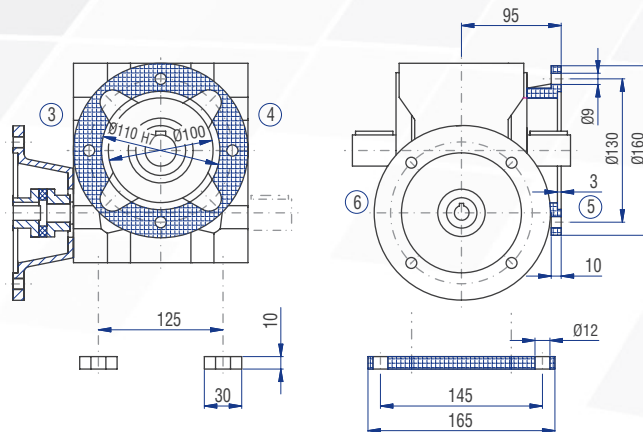
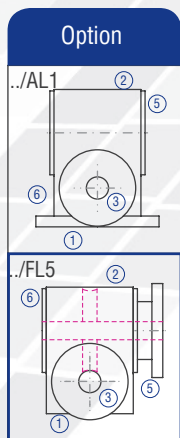
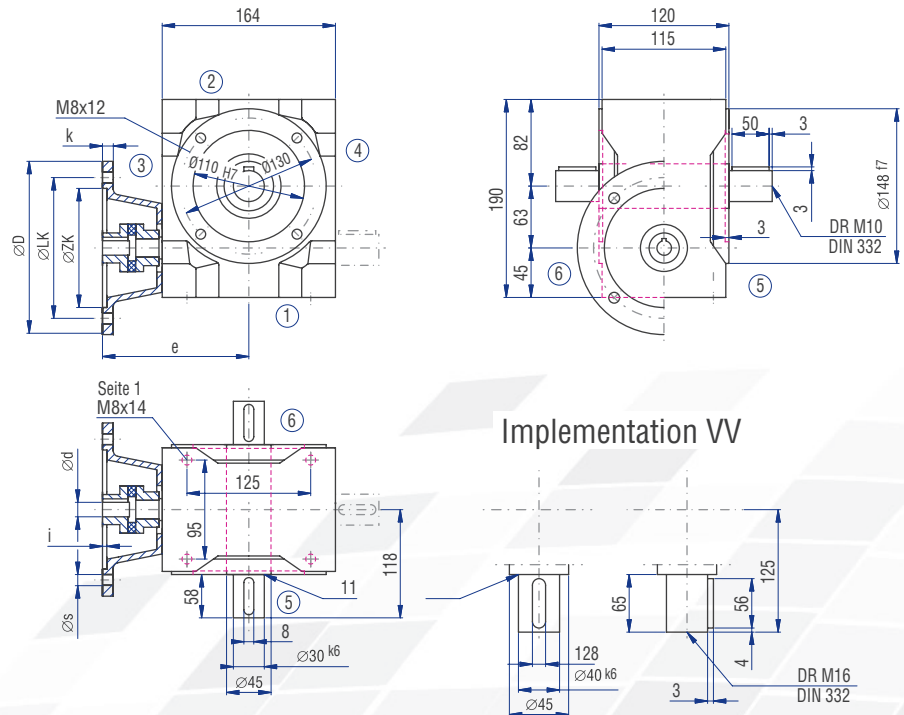
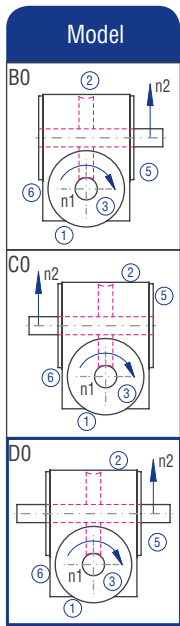
J ₁	Inertia moment [kgcm ²]											
	5:1	7.5:1	10:1	13:1	15:1	20:1	26:1	30:1	40:1	53:1	62:1	83:1
	3.25	2.72	2.22	2.02	2.41	2.02	1.90	2.33	1.98	1.87	2.05	1.88

Mass ca. [kg]
21

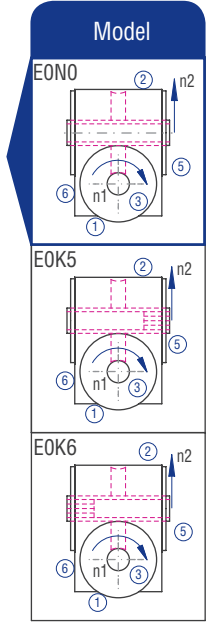
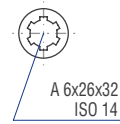
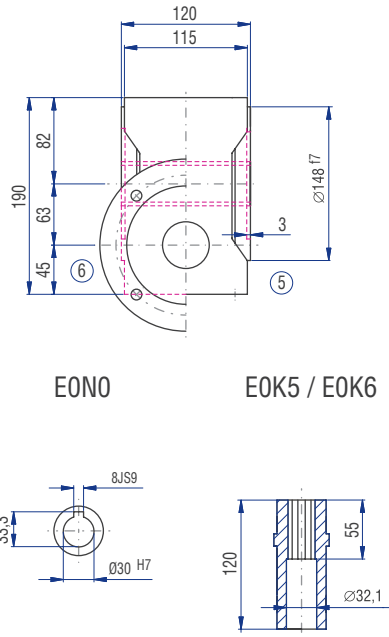
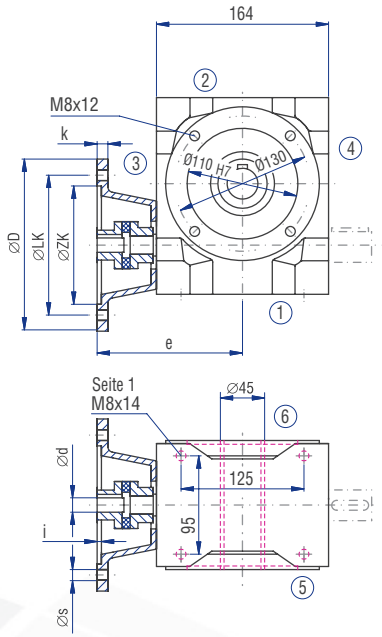


The mass of the gearbox may deviate depending on the flange size, the type and the gear ratio.

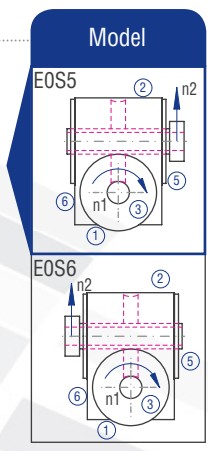
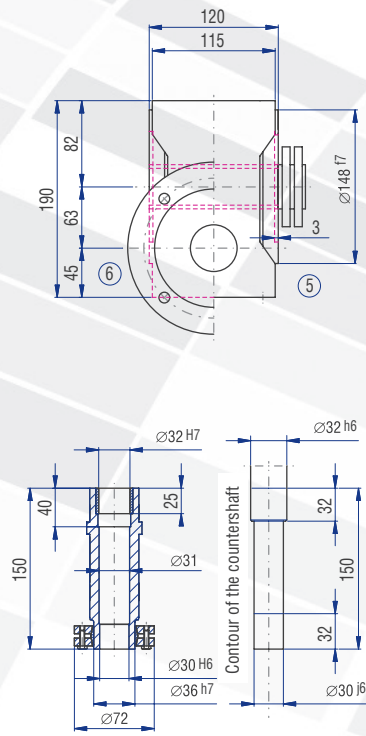
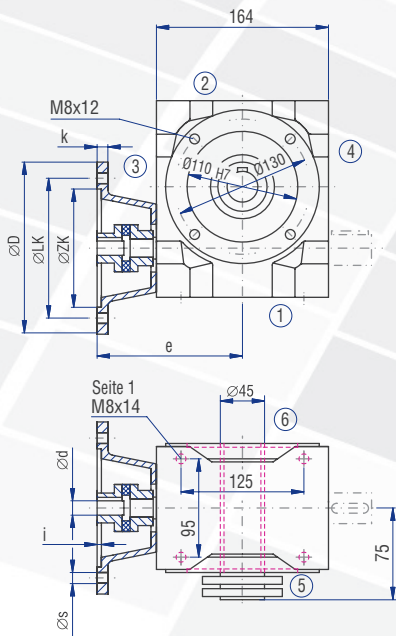
9.4.8 Type SL 063 – Type S with flange for motor mounting



IEC motor	Model	Motor shaft (dxl)	Flange diameter D [mm]	LK [mm]	ZK [mm]	s [mm]	i [mm]	k [mm]	e [mm]
71	B5	14x30	160	130	110	9	4	10	163
	B14	19x40	160	130	110	9	4	10	163
80	B5	19x40	200	165	130	11	4	10	175
	B14	24x50	160a	130	110	9	4	10	175
90	B5	24x50	200	165	130	11	4	10	175
	B14	28x60	200a	165	130	11	4	20	185
100	B14	28x60	200a	165	130	11	4	20	185



Worm gearboxes



9.4.9 Type SL 080 – Type S with flange for motor mounting



Characteristics

Characteristic	Standard	Option
Toothing	Hardened and ground worm shaft / bronze worm gear	See chapter 9.2.1
Gear ratio	10:1 to 83:1	
Housing / Flanges	Grey cast iron	
Threaded mounting hole	On gearbox side 1 and on the flanges	See chapter 9.2.3
Shaft	Material 1 C45, shaft ends greased Fit with ISO j6 tolerance with parallel keyway: according to DIN 6885 Sheet 1	See chapter 4.6.2
Hollow shaft	Material 1 C45, shafts greased Fit with ISO H7 tolerance with parallel keyway: according to DIN 6885 Sheet 1	See chapter 4.6.3
Radial shaft seal ring	NBR, form A	See chapter 4.8
Ambient temperature	-10°C to +90°C. The values of the performance tables are valid for 20°C	See chapter 4.9.3
Circumferential backlash	< 30 arcmin	See chapter 9.2.10
Protection class	IP 54	See chapter 4.5
Corrosion protection	Prime coat; layer thickness > 40 µm	See chapter 4.4.1
Bearing life L10h	more than 15,000h	See chapter 4.9.1
Oil change intervals	Not required if the oil temperature is kept below 90°C. The lifetime of the bearings can be increased by the factor 1.5 if the oil is changed after the first 500 service hours and then every 5000 service hours.	See chapter 9.2.8
Lubricants	Synthetic lubricants	See chapter 9.2.8
Flange	Suited for the mounting of IEC motors, models IM B5 and B14	
Coupling	Three-piece claw coupling	

Performance data

i	i ist		n ₁ [1/min]					
			3000	1500	1000	750	500	150
10:1	40:4	n ₂ [1/min]	300,0	150,0	100,0	75,0	50,0	15,0
		P _{1N} [kW]	6,58	4,96	3,79	3,15	2,35	0,96
		T _{2N} [Nm]	197	297	340	373	408	513
		P _{1NT} [kW]	5,92	4,47	3,79	3,36	2,86	0,00
		Efficiency	0,94	0,94	0,94	0,93	0,91	0,84
20:1	40:2	n ₂ [1/min]	150,0	75,0	50,0	37,0	25,0	7,5
		P _{1N} [kW]	4,24	3,04	2,37	2,05	1,57	0,64
		T _{2N} [Nm]	240	344	399	450	498	615
		P _{1NT} [kW]	3,59	2,67	2,26	2,01	1,72	0,00
		Efficiency	0,89	0,89	0,88	0,86	0,83	0,75
30:1	30:1	n ₂ [1/min]	100,0	50,0	33,0	25,0	16,0	5,0
		P _{1N} [kW]	3,47	2,52	2,03	1,78	1,38	0,63
		T _{2N} [Nm]	272	395	456	530	593	760
		P _{1NT} [kW]	2,41	1,81	1,54	1,38	1,18	0,00
		Efficiency	0,82	0,82	0,80	0,78	0,75	0,63
40:1	40:1	n ₂ [1/min]	75,0	37,0	25,0	18,0	12,0	3,8
		P _{1N} [kW]	2,62	1,87	1,49	1,31	1,02	0,40
		T _{2N} [Nm]	267	381	443	501	553	625
		P _{1NT} [kW]	2,14	1,58	1,35	1,21	1,05	0,00
		Efficiency	0,80	0,80	0,78	0,75	0,71	0,61

i	i ist		n ₁ [1/min]					
			3000	1500	1000	750	500	150
53:1	53:1	n ₂ [1/min]	57,0	28,0	18,0	14,0	9,4	2,8
		P _{1N} [kW]	1,78	1,04	0,76	0,61	0,45	0,18
		T _{2N} [Nm]	234	271	284	294	308	352
		P _{1NT} [kW]	1,93	1,41	1,20	1,09	0,96	0,00
		Efficiency	0,78	0,77	0,74	0,71	0,68	0,58
62:1	62:1	n ₂ [1/min]	48,0	24,0	16,0	12,0	8,1	2,4
		P _{1N} [kW]	1,40	1,01	0,81	0,69	0,54	0,23
		T _{2N} [Nm]	194	279	325	352	393	448
		P _{1NT} [kW]	1,55	1,15	0,98	0,89	0,78	0,00
		Efficiency	0,70	0,70	0,68	0,65	0,61	0,49
83:1	82:1	n ₂ [1/min]	36,0	18,0	12,0	9,0	6,0	1,8
		P _{1N} [kW]	1,10	0,90	0,64	0,49	0,35	0,13
		T _{2N} [Nm]	196	304	304	304	304	304
		P _{1NT} [kW]	1,43	1,04	0,90	0,82	0,73	0,00
		Efficiency	0,68	0,65	0,61	0,59	0,55	0,46

	5:1	7.5:1	10:1	13:1	15:1	20:1	26:1	30:1	40:1	53:1	62:1	83:1
T _{2max} [Nm]	610	695	625	321	826	725	432	920	780	480	480	510

Permissible radial force F_{r2} and axial force F_{a2} on shaft N₂

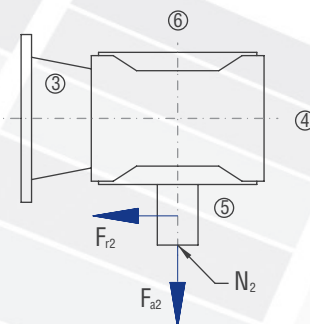
n ₂ [rpm]	200		125		75		50		30		10		
	T ₂ [Nm]	F _r [N]	F _a [N]	F _r [N]	F _a [N]	F _r [N]	F _a [N]	F _r [N]	F _a [N]	F _r [N]	F _a [N]	F _r [N]	F _a [N]
< 430		3300	1650	3750	1875	4500	2250	5300	2650	6300	3150	7600	3800
> 430		2640	1320	3000	1500	3600	1800	4240	2120	5040	2520	6080	3040

Inertia moments/mass

Inertia moment J₁ related to the fast-rotating shaft (N₁)

J ₁	Inertia moment [kgcm ²]											
	5:1	7.5:1	10:1	13:1	15:1	20:1	26:1	30:1	40:1	53:1	62:1	83:1
J ₁	6.90	5.30	4.04	3.34	4.34	3.48	2.99	4.09	3.34	2.90	3.59	2.99

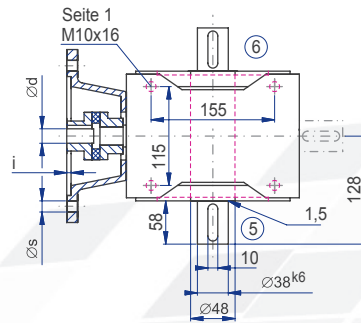
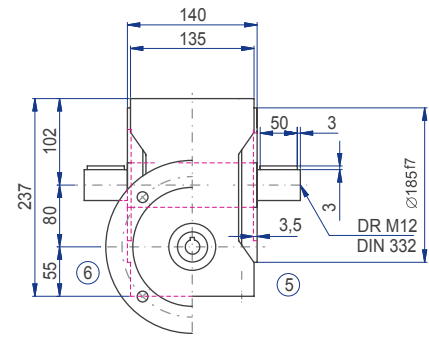
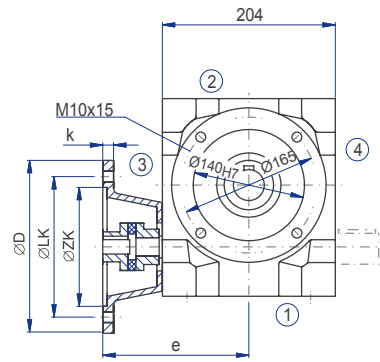
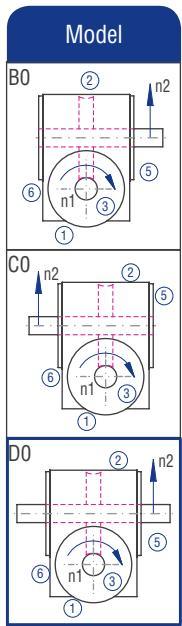
Mass
ca. [kg]
33



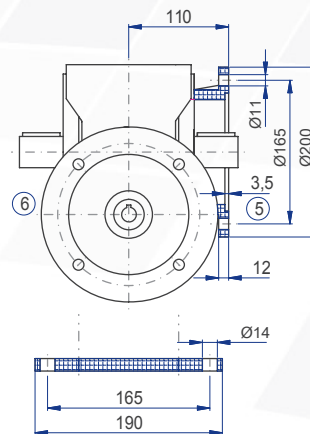
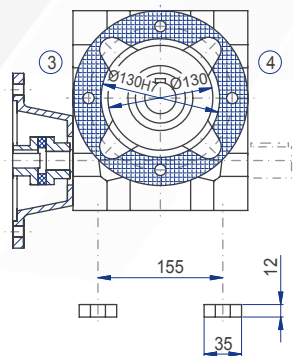
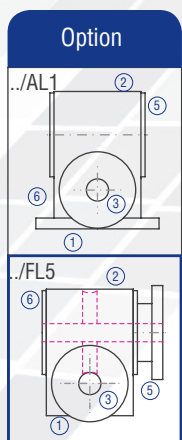
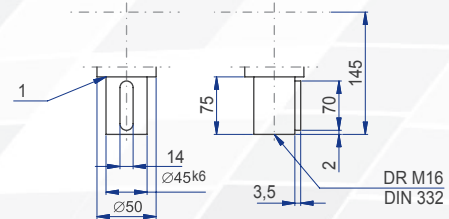
The mass of the gearbox may deviate depending on the flange size, the type and the gear ratio.

Worm
gearboxes

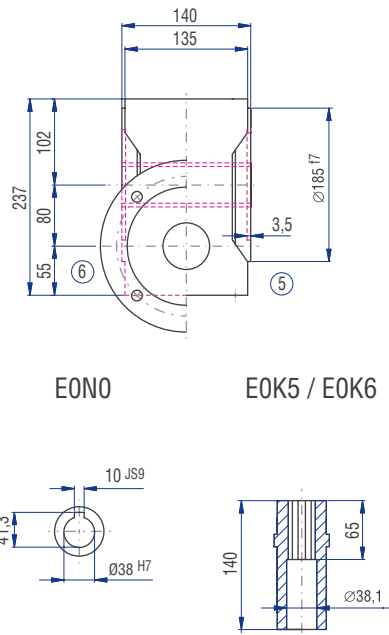
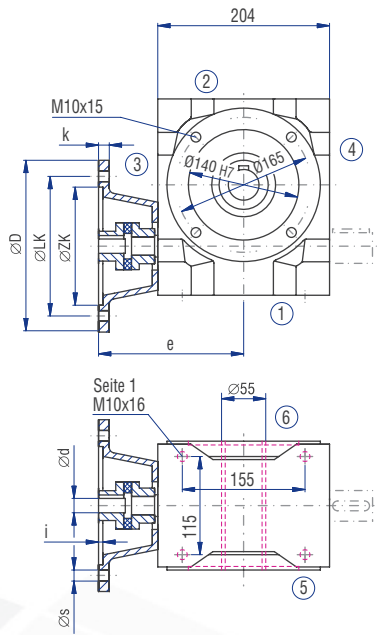
9.4.9 Type SL 080 – Type S with flange for motor mounting



Implementation VV

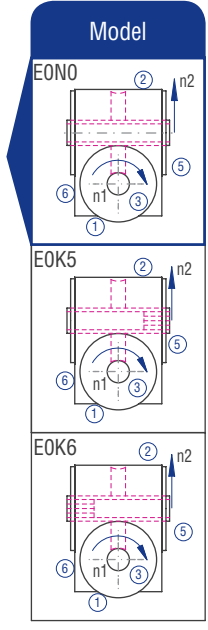
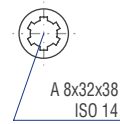


IEC motor	Model	Motor shaft (dxl)	Flange diameter D [mm]	LK [mm]	ZK [mm]	s [mm]	i [mm]	k [mm]	e [mm]
71	B5	14x30	160	130	110	9	4	10	183
	B14	19x40	160	130	110	9	4	10	183
80	B5	19x40	200	165	130	11	4	10	195
	B14	24x50	160a	130	110	9	4	10	195
90	B5	24x50	200	165	130	11	4	10	195
	B14	28x60	200a	165	130	11	4	20	205
100	B14	28x60	200a	165	130	11	4	20	205

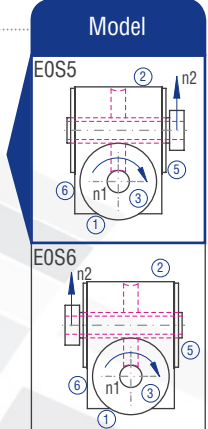
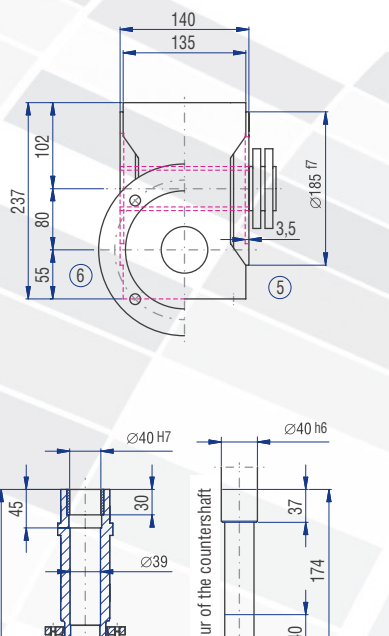
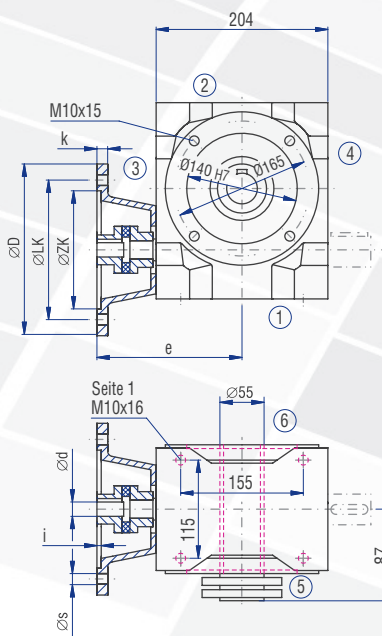


EON0

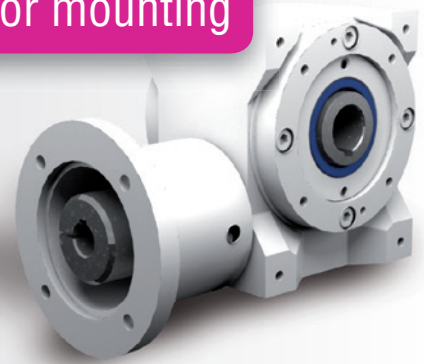
EOK5 / EOK6



Worm
gearboxes



9.4.10 Type SL 100 – Type S with flange for motor mounting



Characteristics

Characteristic	Standard	Option
Toothing	Hardened and ground worm shaft / bronze worm gear	See chapter 9.2.1
Gear ratio	10:1 to 83:1	
Housing / Flanges	Grey cast iron	
Threaded mounting hole	On gearbox side 1 and on the flanges	See chapter 9.2.3
Shaft	Material 1 C45, shaft ends greased Fit with ISO j6 tolerance with parallel keyway: according to DIN 6885 Sheet 1	See chapter 4.6.2
Hollow shaft	Material 1 C45, shafts greased Fit with ISO H7 tolerance with parallel keyway: according to DIN 6885 Sheet 1	See chapter 4.6.3
Radial shaft seal ring	NBR, form A	See chapter 4.8
Ambient temperature	-10°C to +90°C. The values of the performance tables are valid for 20°C	See chapter 4.9.3
Circumferential backlash	< 30 arcmin	See chapter 9.2.10
Protection class	IP 54	See chapter 4.5
Corrosion protection	Prime coat; layer thickness > 40 µm	See chapter 4.4.1
Bearing life L10h	more than 15,000h	See chapter 4.9.1
Oil change intervals	Not required if the oil temperature is kept below 90°C. The lifetime of the bearings can be increased by the factor 1.5 if the oil is changed after the first 500 service hours and then every 5000 service hours.	See chapter 9.2.8
Lubricants	Synthetic lubricants	See chapter 9.2.8
Flange	Suited for the mounting of IEC motors, models IM B5 and B14	
Coupling	Three-piece claw coupling	

Performance data

i	i ist		n ₁ [1/min]					
			3000	1500	1000	750	500	150
10:1	40:4	n ₂ [1/min]	300,0	150,0	100,0	75,0	50,0	15,0
		P _{1N} [kW]	18,55	11,75	8,95	7,45	5,79	2,02
		T _{2N} [Nm]	555	703	803	882	1.006	1.095
		P _{1NT} [kW]	8,57	6,35	5,49	4,95	4,30	0,00
		Efficiency	0,94	0,94	0,94	0,93	0,91	0,85
20:1	40:2	n ₂ [1/min]	150,0	75,0	50,0	37,0	25,0	7,5
		P _{1N} [kW]	10,84	6,87	5,28	4,45	3,47	1,49
		T _{2N} [Nm]	614	778	888	975	1.112	1.441
		P _{1NT} [kW]	5,44	3,99	3,44	3,10	2,69	0,00
		Efficiency	0,89	0,89	0,88	0,86	0,84	0,76
30:1	30:1	n ₂ [1/min]	100,0	50,0	33,0	25,0	16,0	5,0
		P _{1N} [kW]	7,53	4,78	3,60	3,19	2,51	1,18
		T _{2N} [Nm]	590	748	825	950	1.080	1.437
		P _{1NT} [kW]	3,50	2,60	2,27	2,06	1,81	0,00
		Efficiency	0,82	0,82	0,80	0,78	0,75	0,64
40:1	40:1	n ₂ [1/min]	75,0	37,0	25,0	18,0	12,0	3,8
		P _{1N} [kW]	6,33	4,01	3,13	2,65	2,13	1,00
		T _{2N} [Nm]	645	817	933	1.025	1.169	1.581
		P _{1NT} [kW]	3,32	2,42	2,09	1,90	1,67	0,00
		Efficiency	0,80	0,80	0,78	0,76	0,72	0,62

i	i ist		n ₁ [1/min]					
			3000	1500	1000	750	500	150
53:1	52:1	n ₂ [1/min]	57,0	28,0	18,0	14,0	9,4	2,8
		P _{1N} [kW]	4,76	2,63	1,92	1,53	1,11	0,45
		T _{2N} [Nm]	615	670	704	728	762	870
		P _{1NT} [kW]	3,04	2,19	1,88	1,71	1,51	0,00
		Efficiency	0,78	0,77	0,74	0,72	0,69	0,59
62:1	63:1	n ₂ [1/min]	48,0	24,0	16,0	12,0	8,1	2,4
		P _{1N} [kW]	4,59	2,91	2,17	1,70	1,21	0,44
		T _{2N} [Nm]	645	817	886	886	886	886
		P _{1NT} [kW]	2,39	1,74	1,52	1,39	1,24	0,00
		Efficiency	0,70	0,70	0,68	0,65	0,61	0,50
83:1	82:1	n ₂ [1/min]	36,0	18,0	12,0	9,0	6,0	1,8
		P _{1N} [kW]	3,33	1,74	1,23	0,94	0,67	0,24
		T _{2N} [Nm]	591	599	599	599	599	599
		P _{1NT} [kW]	2,24	1,61	1,40	1,28	1,15	0,00
		Efficiency	0,68	0,66	0,62	0,61	0,57	0,47

	5:1	7.5:1	10:1	13:1	15:1	20:1	26:1	30:1	40:1	53:1	62:1	83:1
T _{2max} [Nm]	1190	1360	1090	736	1610	1440	980	1765	1582	1080	1040	1000

Permissible radial force F_{r2} and axial force F_{a2} on shaft N₂

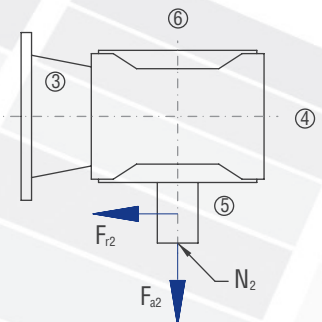
n ₂ [rpm]	200		125		75		50		30		10	
	F _r [N]	F _a [N]	F _r [N]	F _a [N]	F _r [N]	F _a [N]	F _r [N]	F _a [N]	F _r [N]	F _a [N]	F _r [N]	F _a [N]
< 800	3650	1825	4000	2000	4750	2375	5600	2800	6700	3350	9500	4750
> 800	2920	1460	3200	1600	3800	1900	4480	2240	5360	2680	7600	3800

Inertia moments/mass

Inertia moment J₁ related to the fast-rotating shaft (N₁)

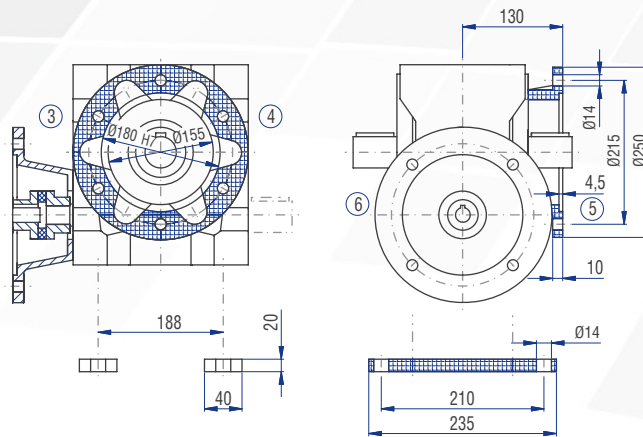
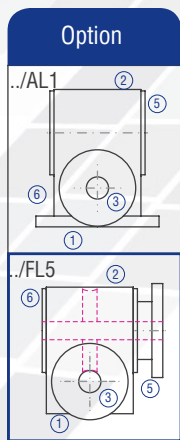
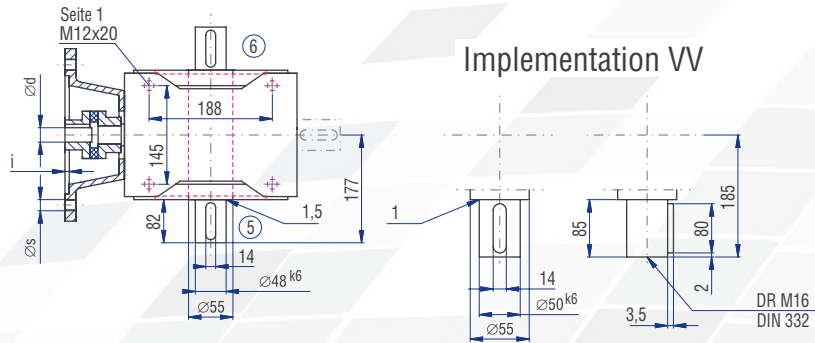
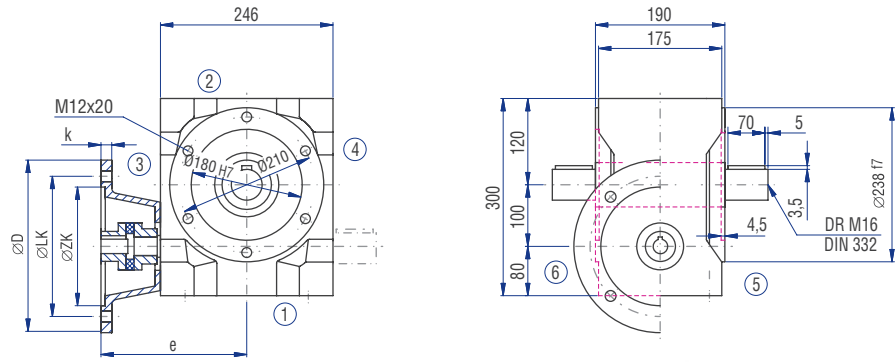
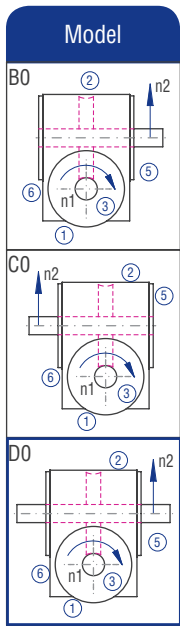
J ₁	Inertia moment [kgcm ²]											
	5:1	7.5:1	10:1	13:1	15:1	20:1	26:1	30:1	40:1	53:1	62:1	83:1
J ₁	30.63	26.13	22.28	20.53	23.42	20.62	19.59	22.75	20.21	19.35	20.81	19.59

Mass
ca. [kg]
55

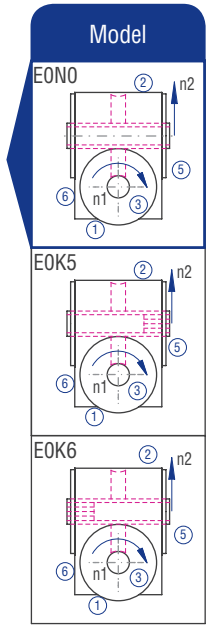
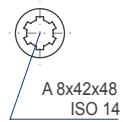
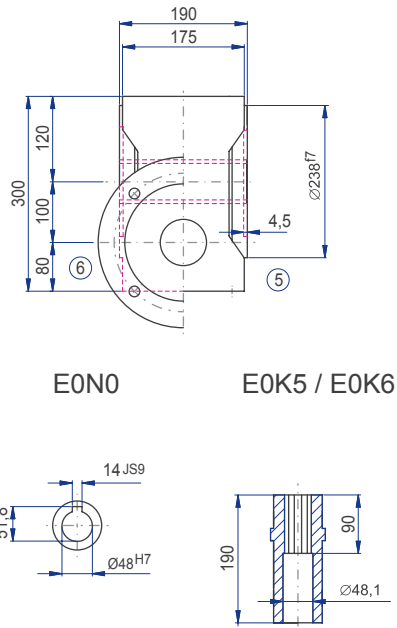
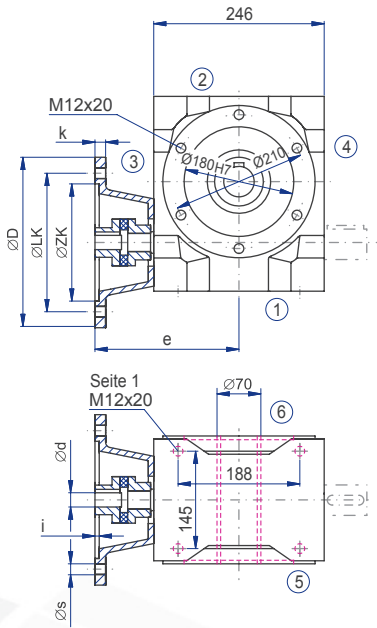


The mass of the gearbox may deviate depending on the flange size, the type and the gear ratio.

9.4.10 Type SL 100 – Type S with flange for motor mounting



IEC motor	Model	Motor shaft (dxl)	Flange diameter D [mm]	LK [mm]	ZK [mm]	s [mm]	i [mm]	k [mm]	e [mm]
90	B5	24x50	200	165	130	M10	4	18	235
100	B5	28x60	250	215	180	14	5	18	245
112	B5	28x60	250	215	180	14	5	18	245
132	B5	38x80	300	265	230	14	5	18	265



Worm
gearboxes

