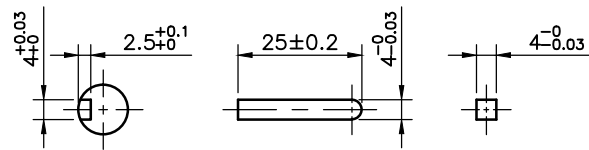
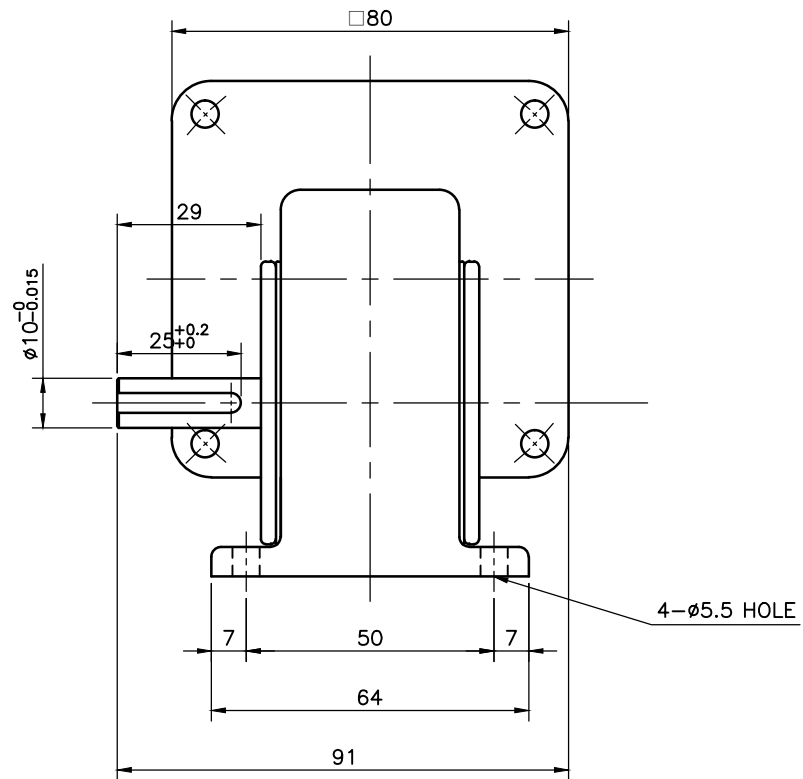
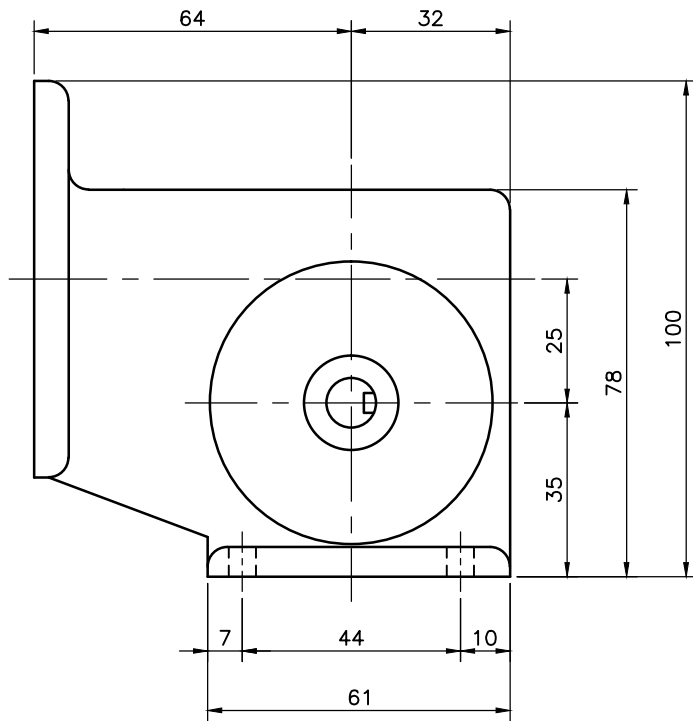


KEY SPEC

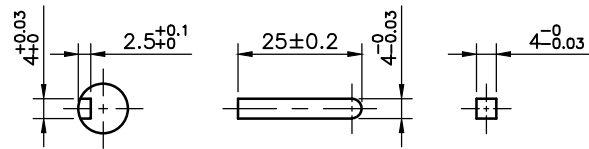


REV.	DESCRIPTION	DATE	CHECK
1			
2			
3			

일반공차		1	NOMENCLATURE			MATERIAL	LOT	REMARKS
0.5~6	$\pm 0.05$	NO.	UNIT : mm	APPROV	DESIGN	DRAWN	Q'TY	8WD□BL
6~30	$\pm 0.1$	N S					TITLE	
30~120	$\pm 0.15$							
120~315	$\pm 0.2$	DATE					SHE.NO.	
315~1000	$\pm 0.3$						DWG.NO.	
1000~2000	$\pm 0.5$							

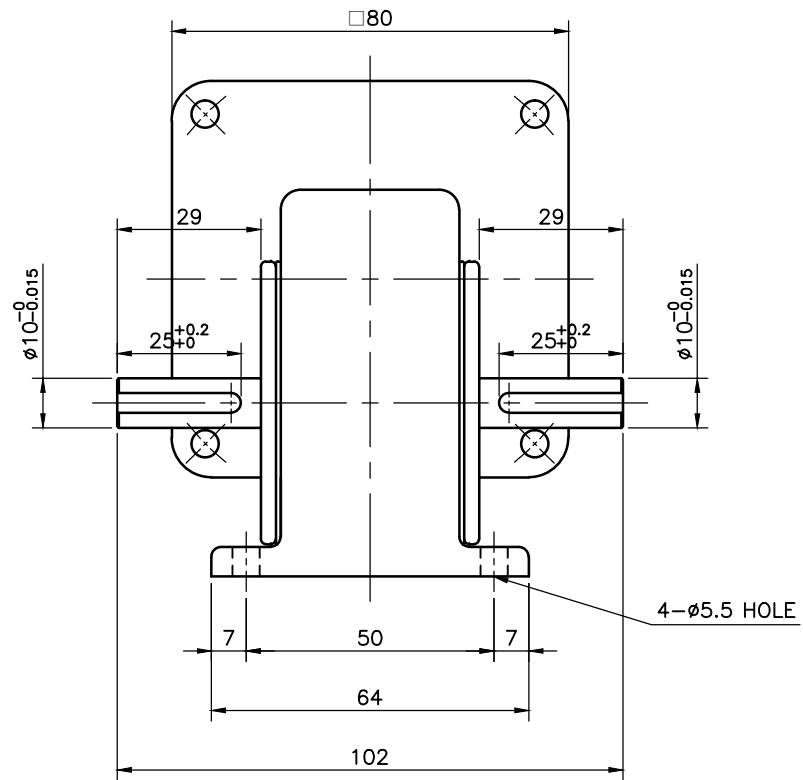
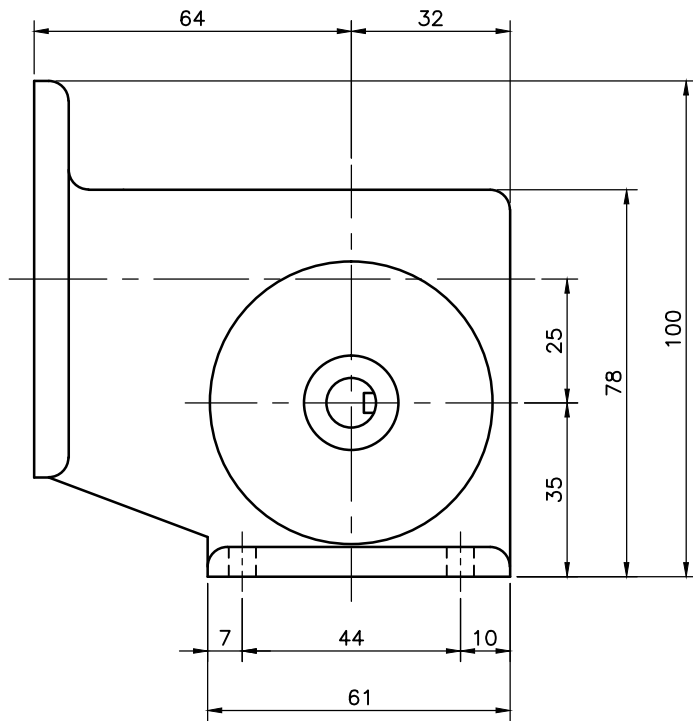


KEY SPEC

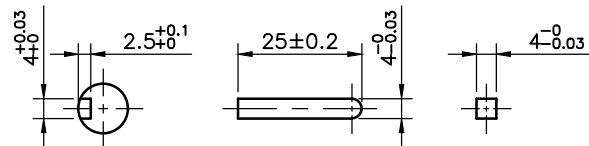


REV.	DESCRIPTION	DATE	CHECK
1		2	

일반공차		1	NOMENCLATURE			MATERIAL	LOT	REMARKS
0.5~6	±0.05	NO.	UNIT : mm	APPROV	DESIGN	DRAWN	Q'TY	8WD□BR
6~30	±0.1	N S					TITLE	
30~120	±0.15							
120~315	±0.2	DATE					SHE.NO.	
315~1000	±0.3						DWG.NO.	
1000~2000	±0.5							



KEY SPEC



REV.	DESCRIPTION	DATE	CHECK
1		2	3

일반공차		1	NOMENCLATURE			MATERIAL	LOT	REMARKS
0.5~6	$\pm 0.05$	NO.	UNIT : mm	APPROV	DESIGN	DRAWN	Q'TY	8WD□BRL
6~30	$\pm 0.1$	N					TITLE	
30~120	$\pm 0.15$	S						
120~315	$\pm 0.2$	DATE					SHE.NO.	
315~1000	$\pm 0.3$						DWG.NO.	
1000~2000	$\pm 0.5$							