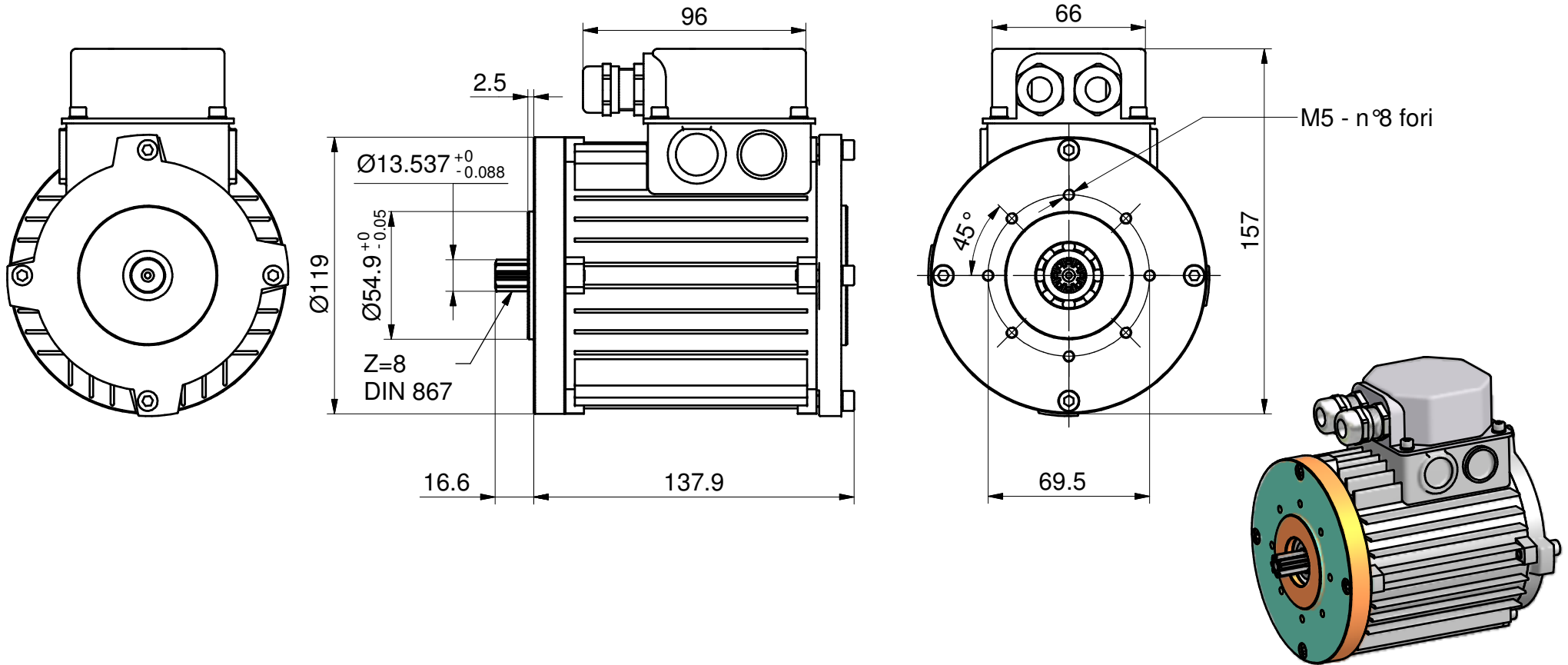




AC MOTOR

Code:
ARD126



DATI TECNICI - SPECIFICATIONS

400W - 3x32V RMS (48V battery)- 2500rpm - SENSOR BEARING 32PPR

Eccitazione: **ASINCRONO**
Excitation: **ASYNCHRONOUS**

Coppia freno elettromagnetico
Electromagnetic brake torque /

Optionals:
TERMIC SENSOR KTY84-130

Peso -
Weight