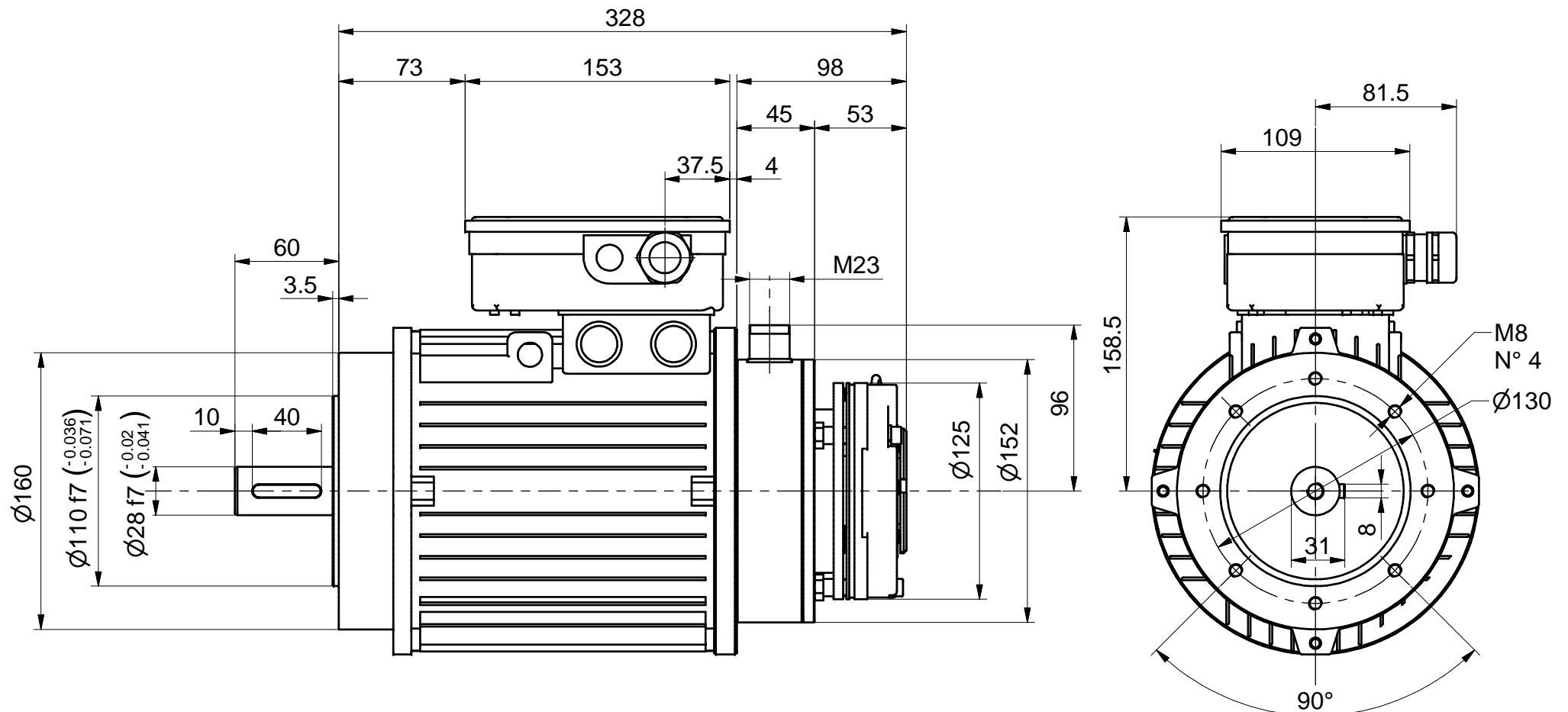




PMS BRUSHLESS MOTOR

Type:
B14-BN100



Electromagnetic brake torque
Coppia freno elettromagnetico

20Nm

Optionals:

Weight
Peso