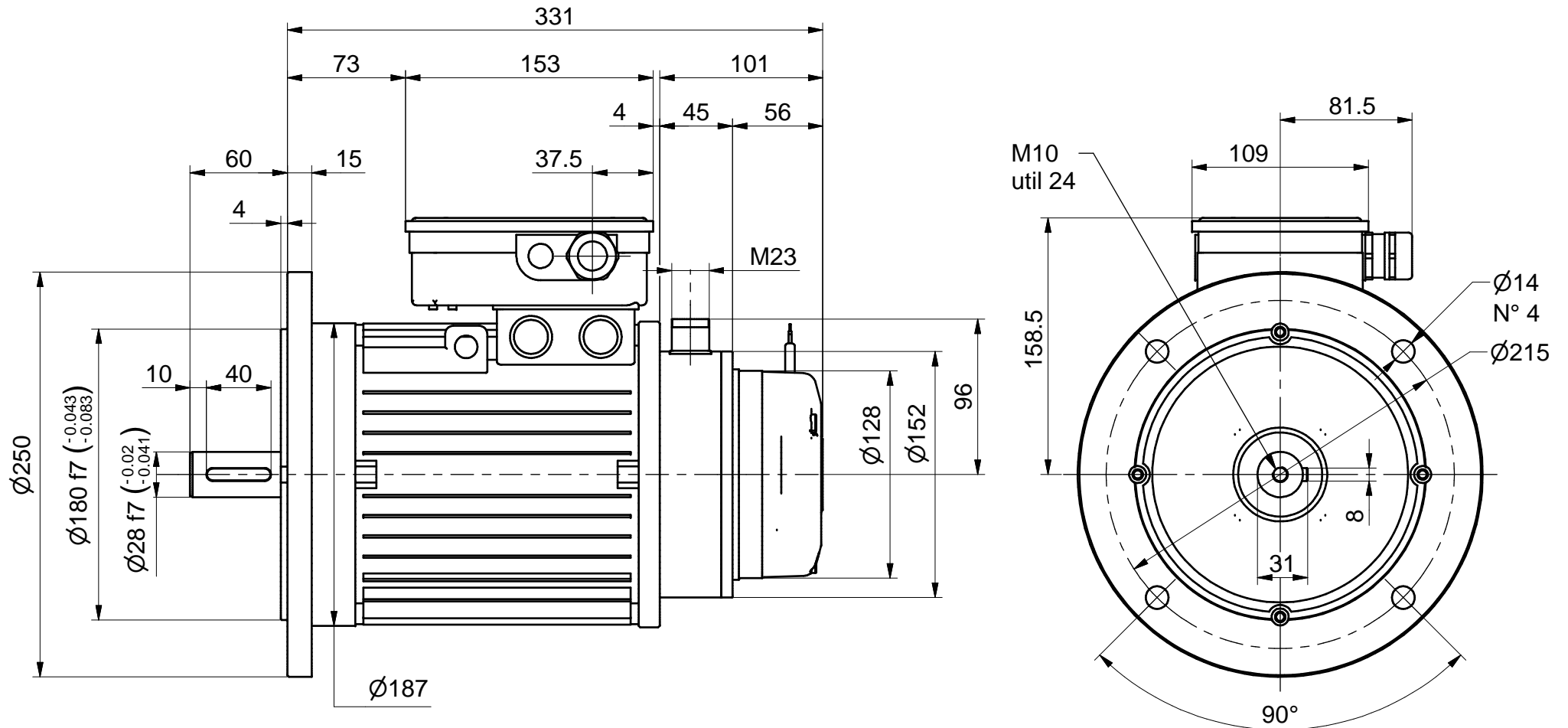




# PMS BRUSHLESS MOTOR

Type:  
**B5-BN100**



Electromagnetic brake torque  
Coppia freno elettromagnetico **32Nm IP65**

Optionals:

Weight  
Peso