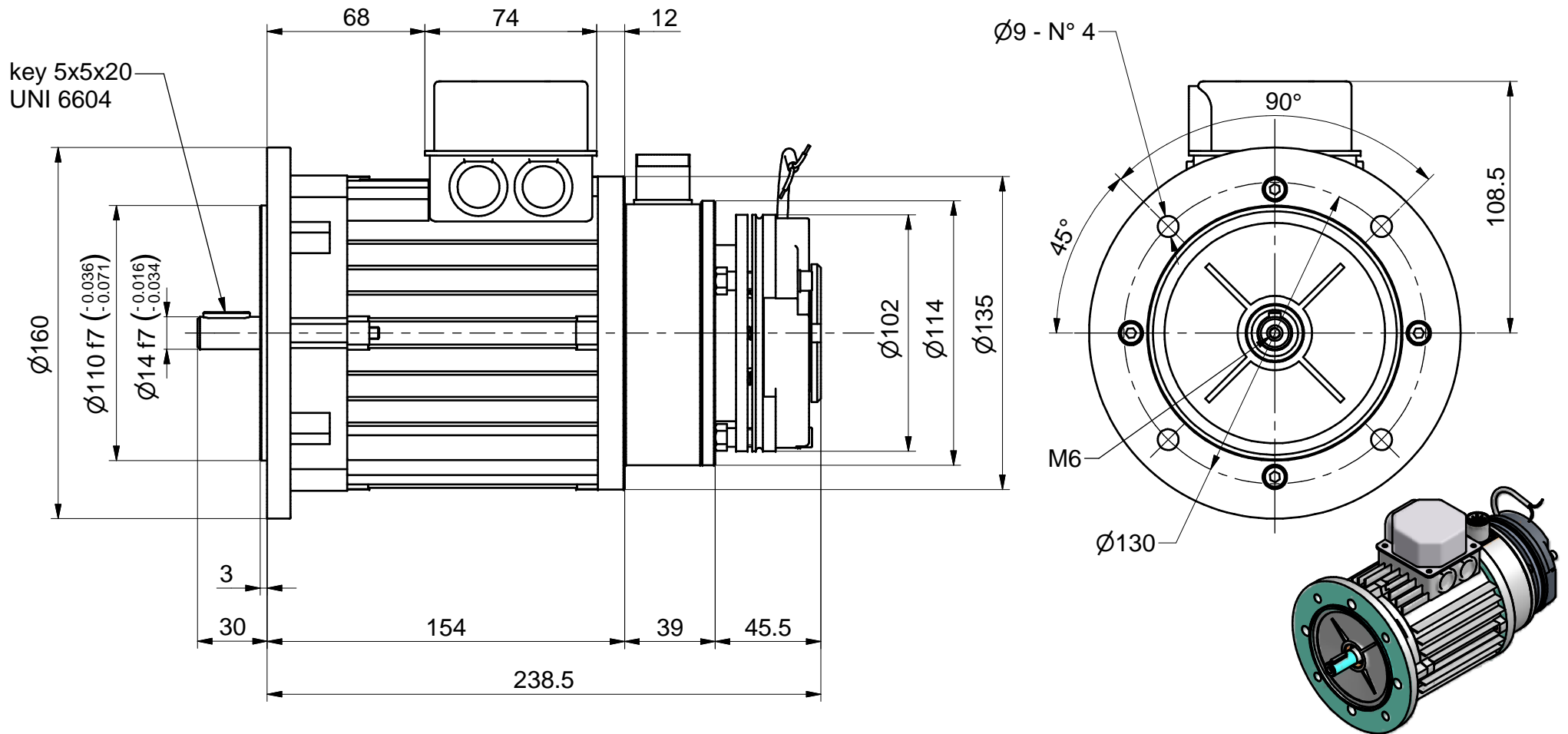




# BL MOTOR

Code:

**B5-BN71**



## TECHNICAL DATA

**BRUSHLESS MOTOR B5-BN71 - 6P resolver - M23 connector - WITH BRAKE**