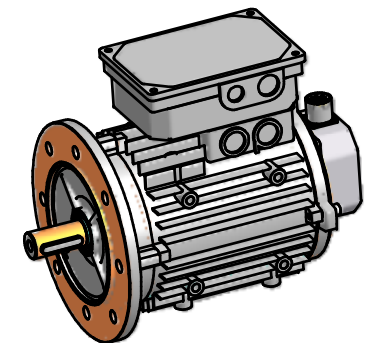
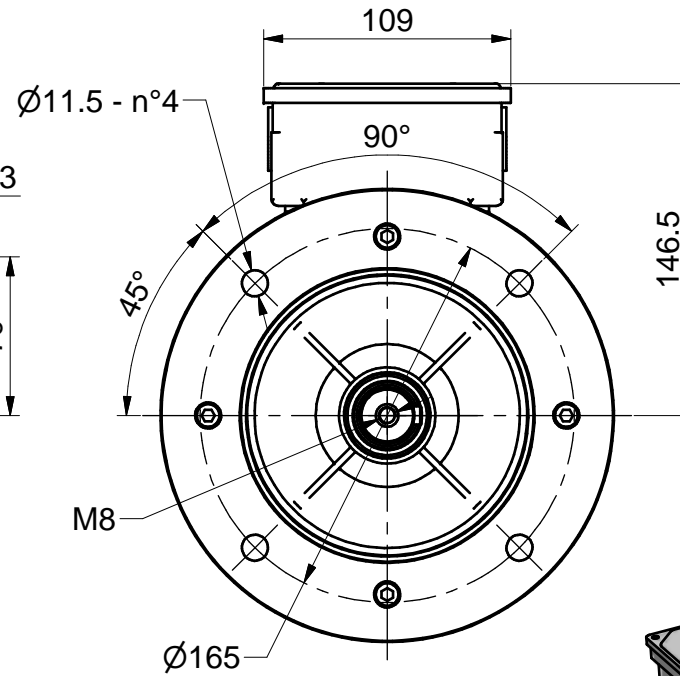
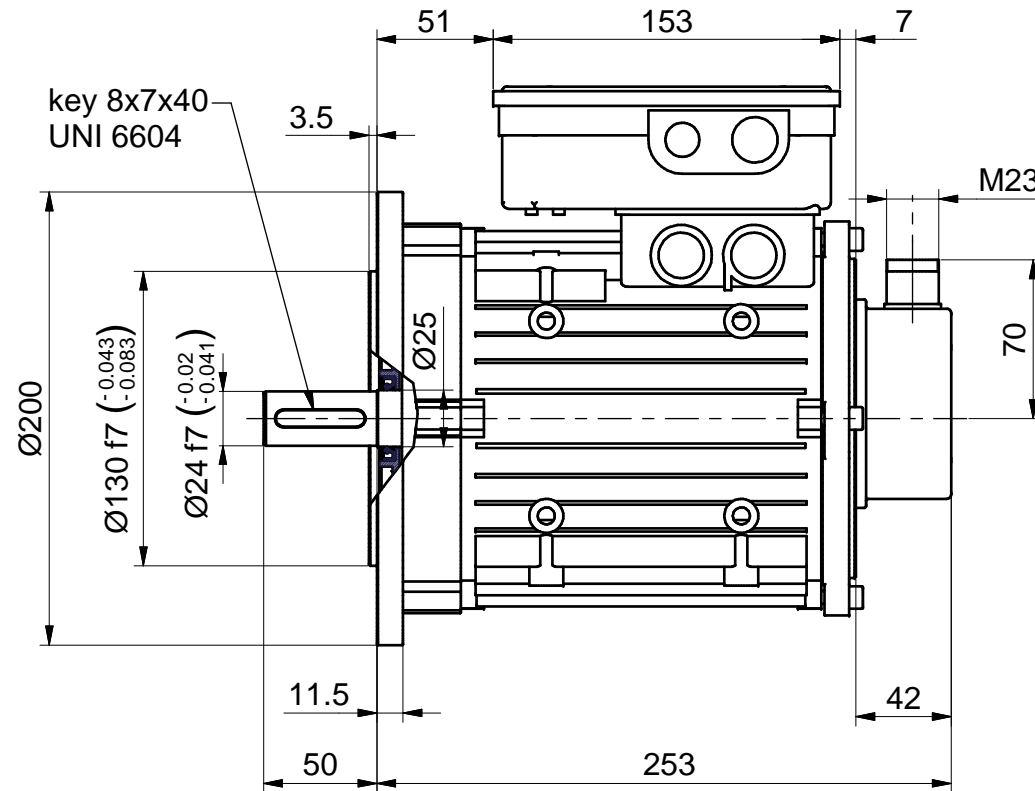


BL MOTOR

Code:

B5-BN90



TECHNICAL DATA

BRUSHLESS MOTOR B5-BN90 - 6P resolver - M23 connector - NO BRAKE