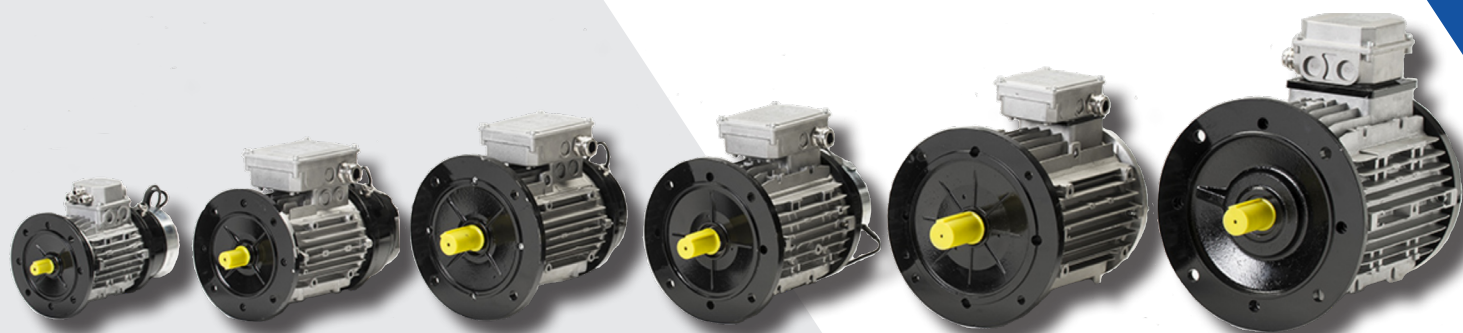


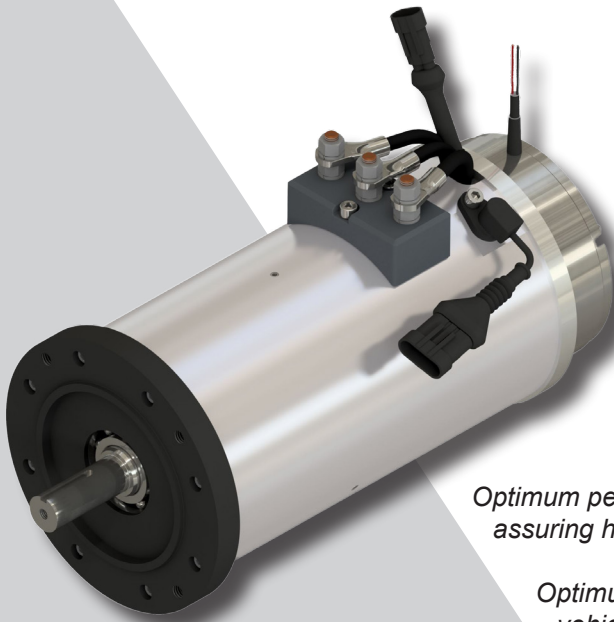


WE MOVE YOUR IDEAS.



AC ASYNCHRONOUS MOTORS
TECHNICAL EXCELLENCE SINCE 1965

AC Motors - 24V-144V



Optimum performance at low speed with high stall torques, assuring handling precision.

Optimum performance at high speed ensuring the maximum vehicle transfer efficiency.

Optimum performance at medium speed when compromises between the stall torque and the transfer speed is needed.

According to the application, we can design and customize countless motor windings to satisfy the customers needs and provide maximum efficiency.

Available on request:

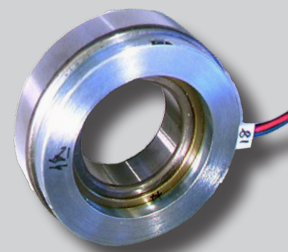
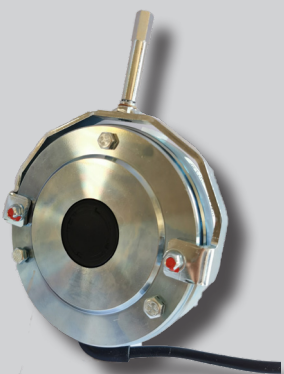
Custom shafts, Flanges and frames, available on request

Electromagnetic brakes: from 5Nm up to 200Nm

Thermal protection, ventilation/cooling

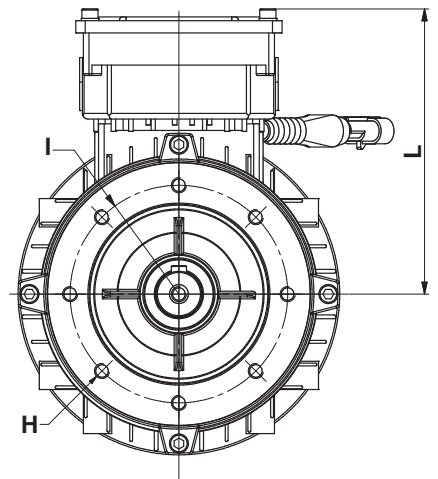
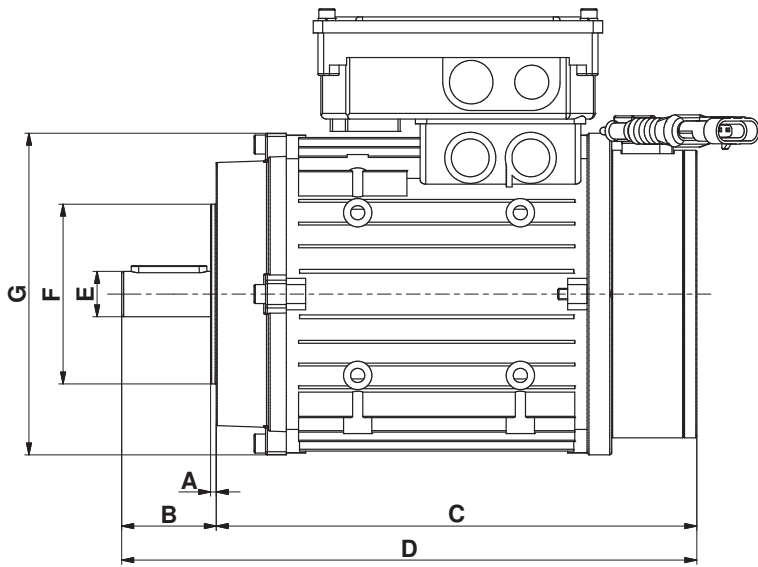
Incremental/absolute/safety encoders

Enclosures up to IP65

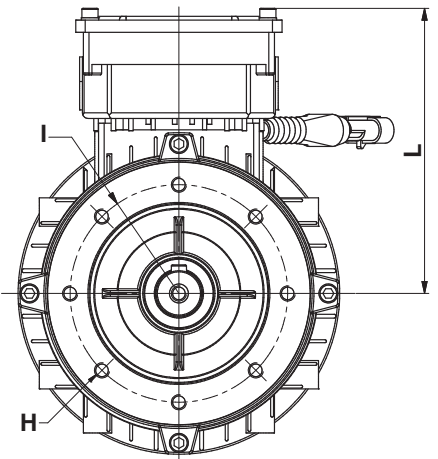
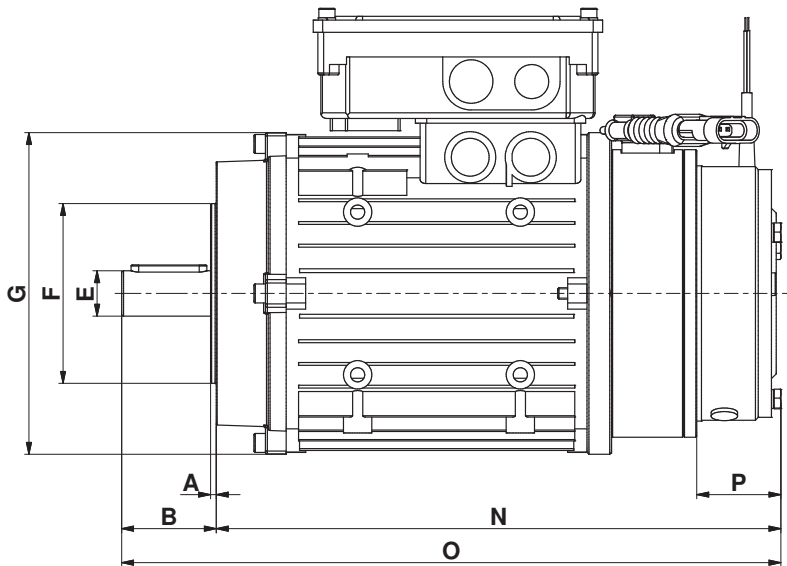


B14 Series

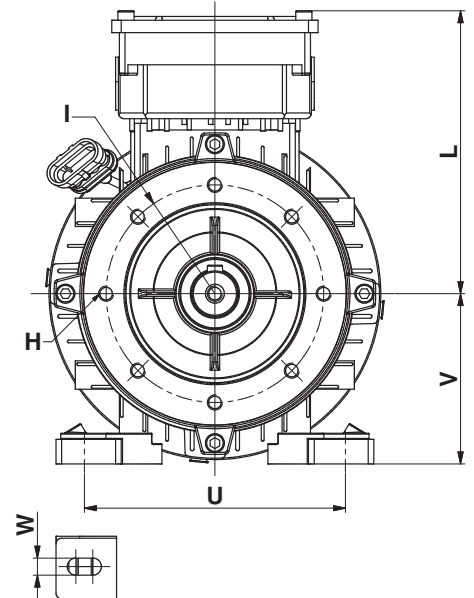
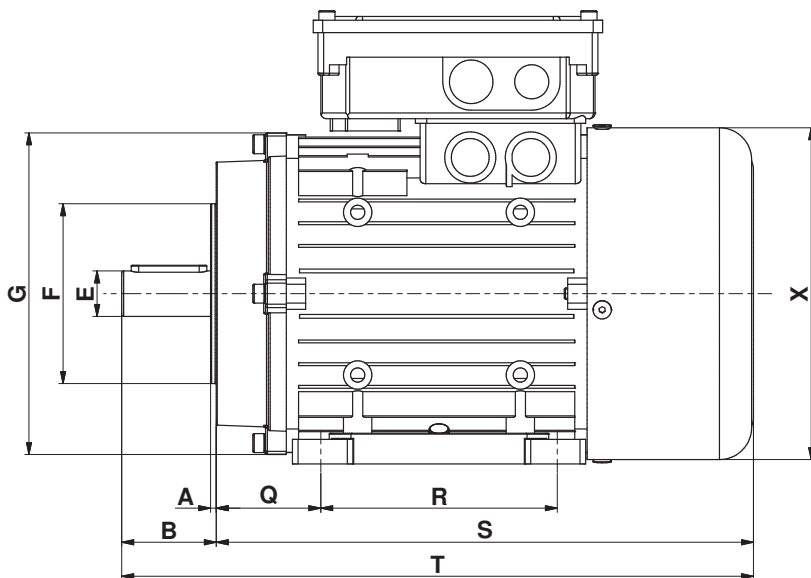
STANDARD



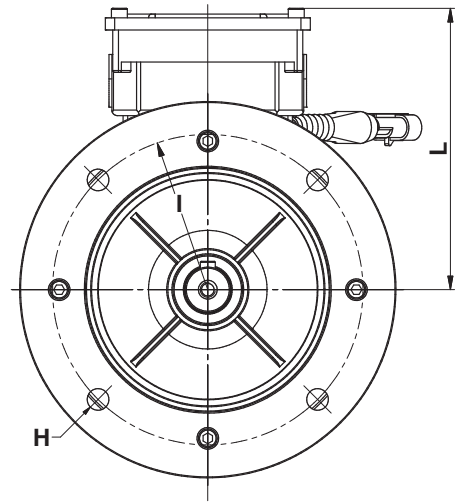
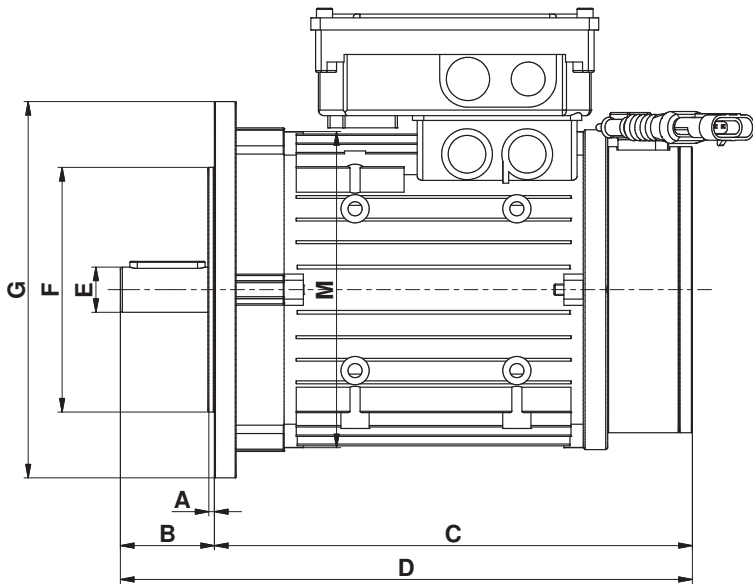
BRAKE



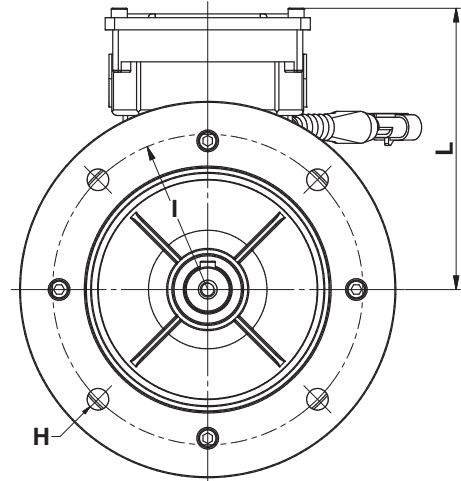
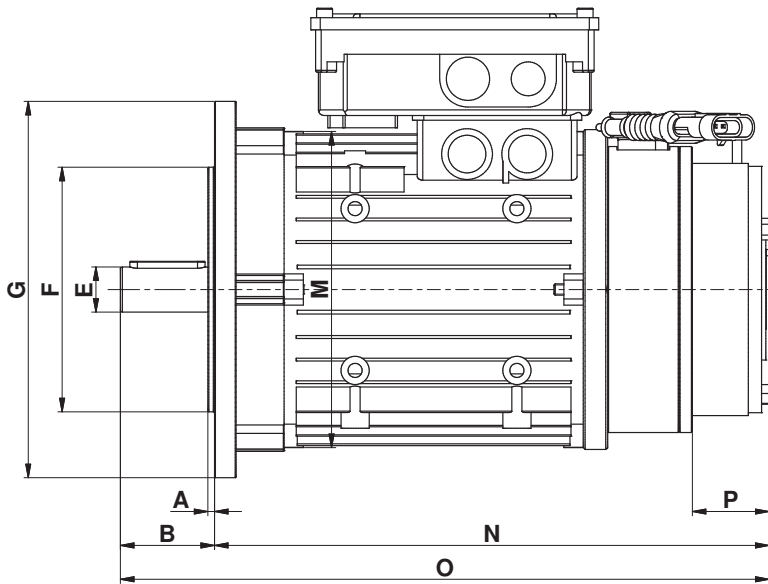
VENTILATED



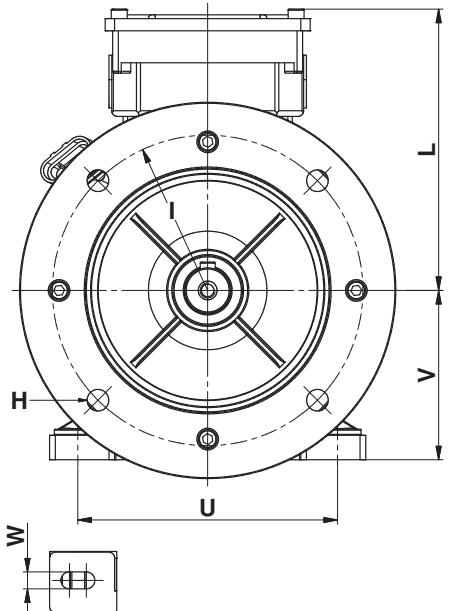
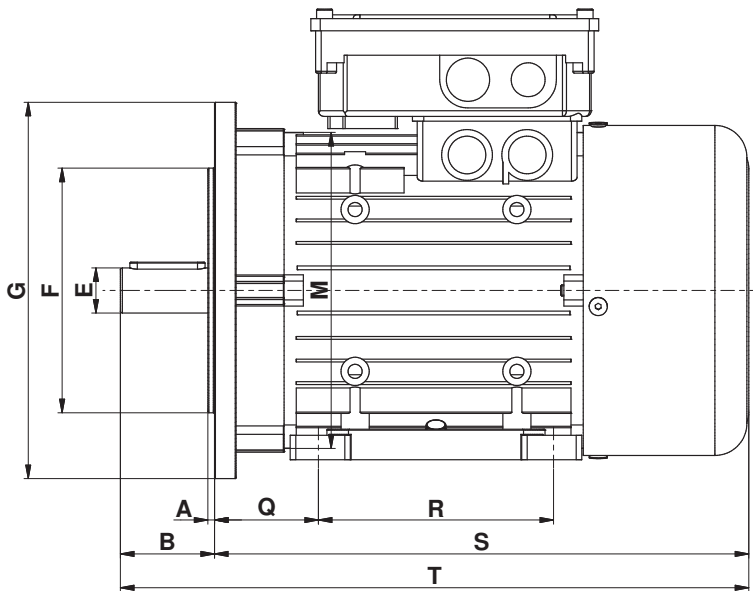
B5 Series



STANDARD



BRAKE



VENTILATED

Flange B14

Custom shafts, Flanges and frames, available on request

Frame	A	B	C	D	E	F	G	H	I	L	N	O	P	Q	R	S	T	U	V	W	X
IEC71	2.5	30	164	194	14	70	104	M6	85	181	200	230	36	45	90	214	244	112	70	7	141
IEC80	3	40	211	251	19	80	160	M6	100	121	247	287	36	50	100	240	280	125	80	9	160
IEC90	3	50	254	304	24	95	170	M8	115	151	299	349	45	55	125	284	334	138	90	9	176
IEC100	3.5	60	275	335	28	110	190	M8	130	162	334	394	59	59.5	140	315	375	160	101	10	194
IEC112	3.5	60	292	352	28	110	215	M8	130	174	351	411	59	67	140	337	397	191	112	13	218
IEC132	3.5	80	355	435	38	130	250	M10	165	197	425	505	70	87	178	420	500	216	132	13	257
IEC160	4	110	386	465	42	180	300	M12	215	230	310	420	79	106	254	538	648	254	160	13	311
IEC180	4	110	391	501	42	180	300	M12	215	200	466	576	79	121	279	585	695	279	180	14	253

Power*	Frame
500-700 W	IEC71
750-1500 W	IEC80
1500-2500 W	IEC90
2500-3000 W	IEC100
3000-5000 W	IEC112
5000-12000 W	IEC132
8000-15000 W	IEC160
15000-25000 W	IEC180

*Power may vary according to the battery voltage (24V-144V) and rpm

Flange B5

Custom shafts, Flanges and frames, available on request

Frame	A	B	C	D	E	F	G	H	I	L	M	N	O	P	Q	R	S	T	U	V	W
IEC71	3	30	164	194	14	110	160	9	130	181	135	200	230	36	45	90	214	244	112	70	7
IEC80	3.5	40	211	251	19	130	200	11.5	165	121	160	256	296	45.5	50	100	240	280	125	80	9
IEC90	3.5	50	254	304	24	130	200	11.5	165	150	175	295	345	41	55.5	125	284	334	138	90	9
IEC100	4	60	275	335	28	180	250	14	215	161	200	334	394	59	59.5	140	315	375	160	101	10
IEC112	4	60	293	353	28	180	250	14	215	174	220	352	412	59	67	140	337	397	191	112	13
IEC132	4	80	355	435	38	230	300	14	265	197	260	425	505	70	86.5	178	420	500	216	132	13
IEC160	5	110	428	538	42	250	350	18	300	230	310	507	617	79	106	254	538	648	254	160	13
IEC180	5	110	391	501	42	300	400	19	350	200	301	466	576	79	121	279	585	695	279	180	14

ATTENTION: The quotes in the tables above may vary according to the specific type of motor

Modena
Italy



Via Bulgaria, 46
41122 Modena - Italy

Tel:+(39) 059315204
Fax:+(39) 059450439

info@metalrota.it
www.metalrota.it



MADE IN ITALY

