



**DKM Motor Co., Ltd.**

4F., Incheon Techpia Na-Bldg., Geobukro 17, Seo-gu, Incheon, Korea  
Tel. +82 32 574 7788 | Fax. +82 32 578 7787  
[www.dkmmotor.com](http://www.dkmmotor.com) | [info@dkmmotor.com](mailto:info@dkmmotor.com)



## 104mm 400W Geared Motor

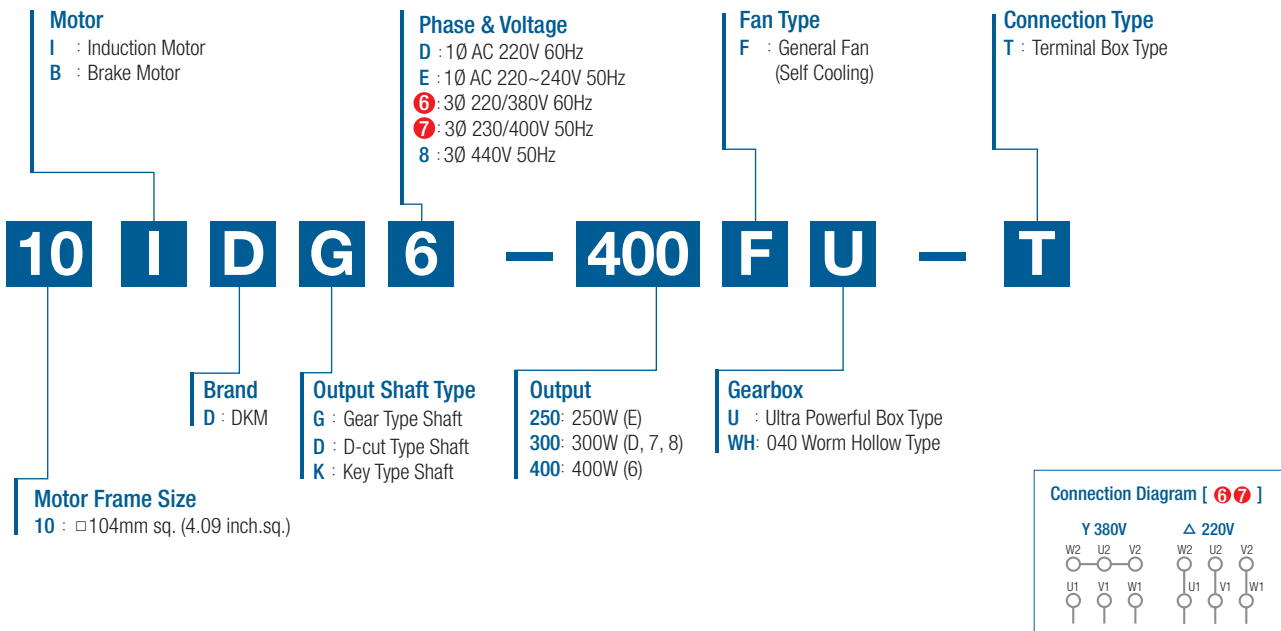


- 104mm Frame, 1Ø 250W ~ 3Ø 400W

- Parallel Gearbox (3:1 – 180:1)
- Worm Hollow Gearbox (7.5:1 – 40:1)

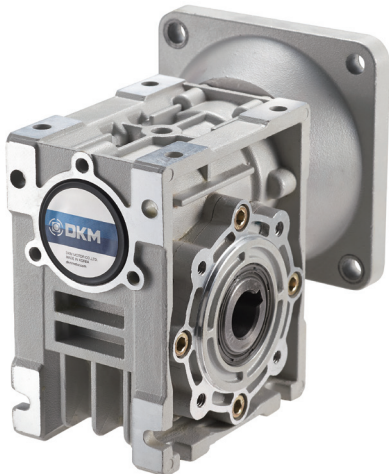
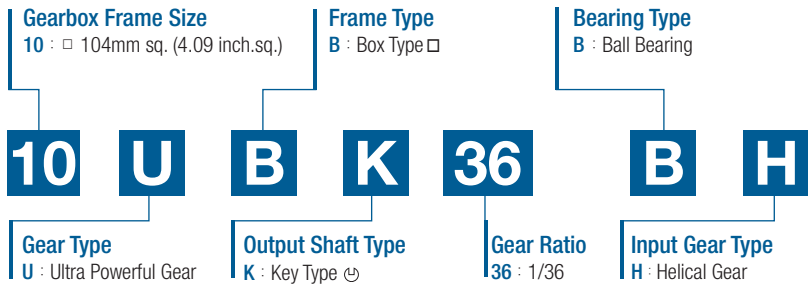
# Product Lineup

## 104mm Frame Motor [Detail description: P4~P5]

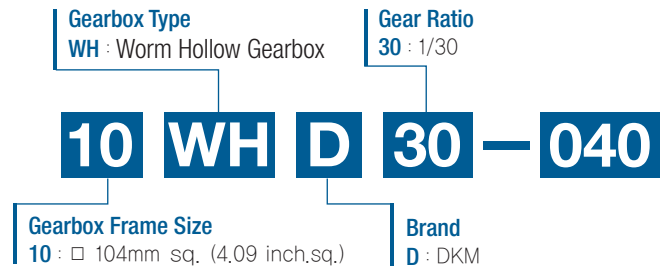




**Parallel Gearbox** [Detail description: P6]

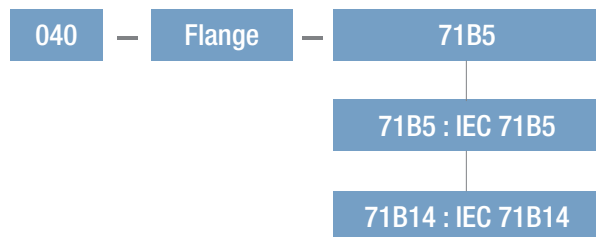


**Worm Hollow Gearbox** [Detail description: P7]

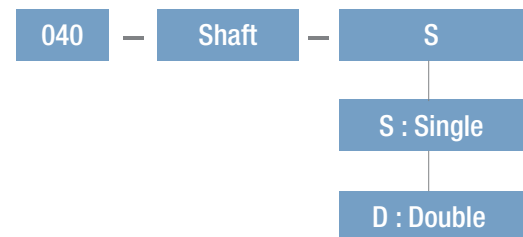


**Accessories**

**Input Flange**



**Output Shaft**



**Output Flange**





## Product Lineup – 104 mm Frame Motor

### 1 Maximized Output Performance

- 3Ø 60Hz : 400W
- 1Ø 60Hz : 300W

### 2 Compact Design

- Light-weight design
- Optimized efficient space with maximized output torque

### 3 Enhanced Protection Level

- IP54 Adapted
  - Protected against powdery dust
  - Protected against ingress of splashes from all directions



### 4 Enhanced Insulation Class

- F class insulation adapted (IEC Standard)
- Enhanced resistance to environment

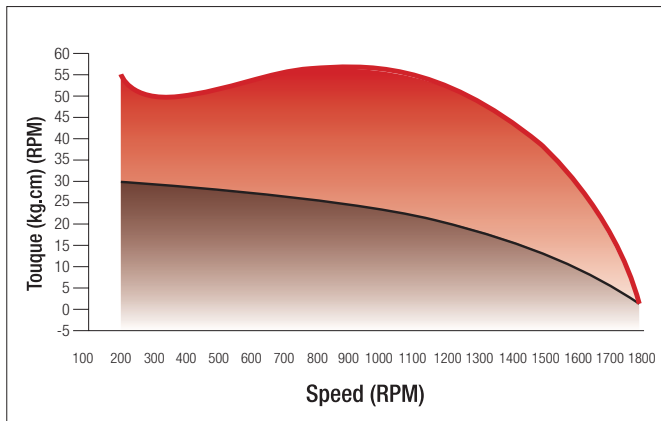
### 5 Adjustable Terminal Box Direction



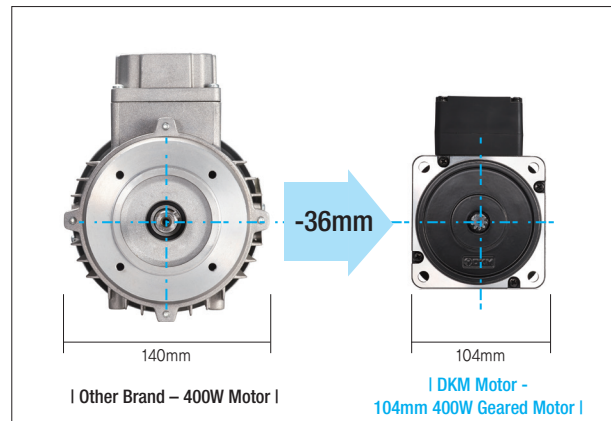
## Motor Specification

Model 10IDG* : Gear Type Shaft 10IDD* : D-Cut Type Shaft 10IDK* : Key Type Shaft	Output W	Voltage V	Frequency Hz	Poles	Duty	Starting Torque		Rated Load			Capacitor $\mu\text{F}$ / VAC	
						kgfcm N.m	r/min	Current A	Torque kgfcm N.m			
10IDGE-250F□-T	250	1Ø 220	50	4	Cont.	12,50	1,250	1250	2,14	19,48	1,984	13.0/450
		1Ø 240				15,00	1,500	1300	2,01	18,74	1,874	
10IDGD-300F□-T	300	1Ø 220	60	4	Cont.	10,50	1,050	1600	2,26	18,27	1,827	13.0/450
10IDG7-300F□-T	300	3Ø 230	50	4	Cont.	47,00	4,700	1300	1,70	22,48	2,248	-
		3Ø 400				47,00	4,700	1300	1,01	22,48	2,248	
10IDG8-300F□-T	300	3Ø 440	50	4	Cont.	47,00	4,700	1300	0,88	22,48	2,248	-
10IDG6-400F□-T	400	3Ø 220	60	4	Cont.	47,00	4,700	1600	2,10	24,35	2,435	-
		3Ø 380				47,00	4,700	1600	1,21	24,35	2,435	

- 1) Enter the phase & voltage code in the place \* and enter the model type of attaching gearbox in the box ( □ ) within the motor model name.
- 2) voltage code E & D contain a built-in thermal protector.
- 3) Gear Type Shaft is for attaching gearbox and D-Cut & Key Type Shafts are for using motor only.



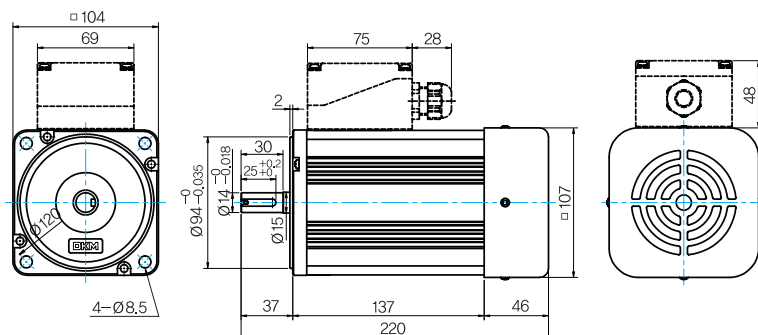
\* Torque increased 2 times compared with DKM 200W motor.



\* Dimension decreased 36 mm compared with other brand 400W motor.

## Dimensions

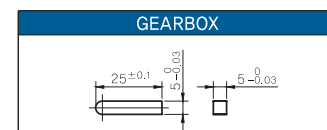
● MOTOR MODEL: 10ID□□-□□□F-T



● GEARBOX OUTPUT SHAFT

MODEL	SPEC
KEY TYPE	
10□DK□	
GEAR TYPE	
10□DG□	

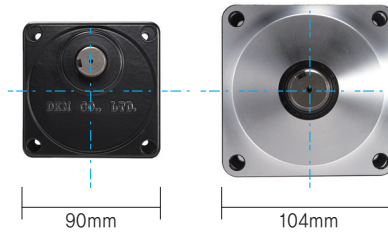
● KEY SPEC



# Product Lineup – Parallel Gearbox



## Central Output Shaft Design



- Easy to design for adaptation
- Easy to setup

## Maximized Permissible Torque



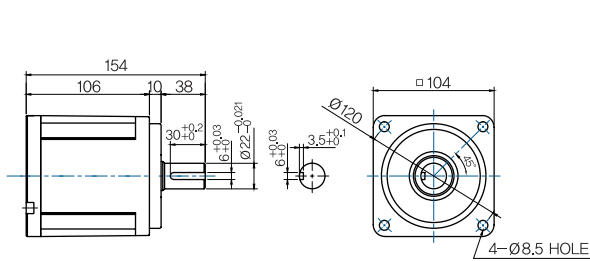
## Max. Permissible Torque at Output Shaft of Gearbox

Motor Output	Gearbox Model	Ratio r/min	3	3.6	5	6	7.5	9	10	12.5	15	18	20	25	30	36	40	50	60	75	90	100	120	150	180	
10IDG7-250F-T	10UBK□BH	kgfcm	50	60	80	100	120	145	150	185	220	240	270	300	300	350	350	350	400	400	400	400	400	400	400	400
		N.m	4.9	5.9	7.8	9.8	12	14	15	18	22	24	26	29	29	34	34	34	39	39	39	39	39	39	39	39
10IDG7-300F-T	10UBK□BH	kgfcm	55	70	95	110	140	170	170	210	250	270	300	300	300	350	350	350	400	400	400	400	400	400	400	400
		N.m	5.4	6.9	9.3	11	14	17	17	21	25	26	29	29	29	34	34	34	39	39	39	39	39	39	39	39
10IDG6-400F-T	10UBK□BH	kgfcm	60	75	100	120	150	180	185	225	275	300	300	300	300	350	350	350	400	400	400	400	400	400	400	400
		N.m	5.9	7.4	9.8	12	15	18	18	22	27	29	29	29	29	34	34	34	39	39	39	39	39	39	39	39

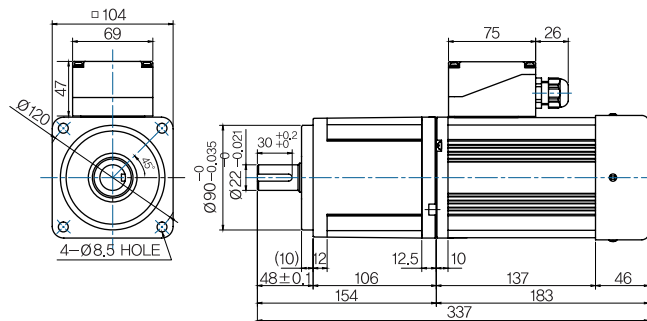
\* 10IDG7-250F-T : 1Phase 220V 50Hz \* 10IDG7-300F-T : 3Phase 440V 50Hz \* 10IDG7-300F-T : 3Phase 230/400V 50Hz \* 10IDG6-400F-T : 3Phase 220/380V 60Hz

## Dimensions

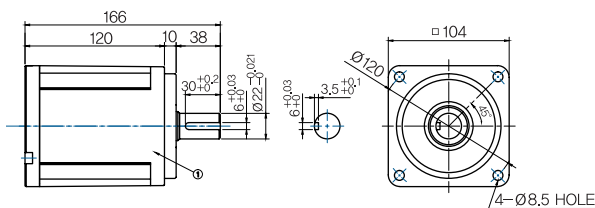
● GEARBOX MODEL: 10UBK□BH(Ratio 3:1 ~ 60:1)



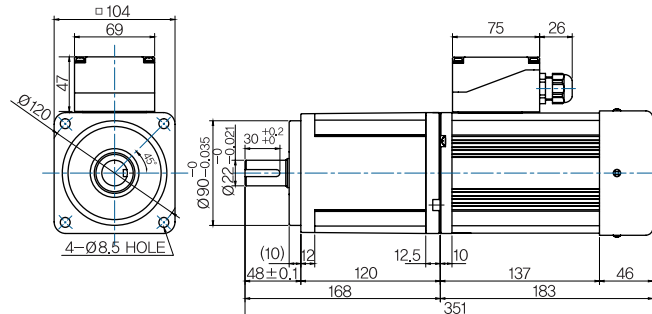
● MOTOR MODEL: 10IDK□-400F-T\_10UBK□BH(Ratio 3:1 ~ 60:1)



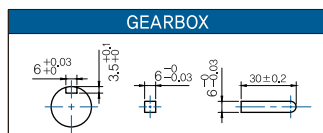
● GEARBOX MODEL: 10UBK□BH(Ratio 75:1 ~ 180:1)



● MOTOR MODEL: 10IDK□-400F-T\_10UBK□BH(Ratio 75:1 ~ 180:1)



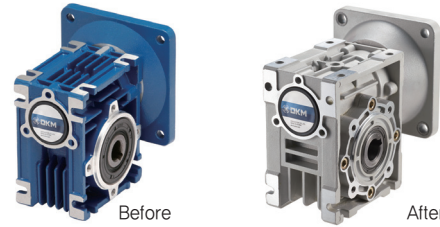
### KEY SPEC



# Product Lineup – Worm Hollow Gearbox



## New Modern Design



## Maximized Permissible Torque



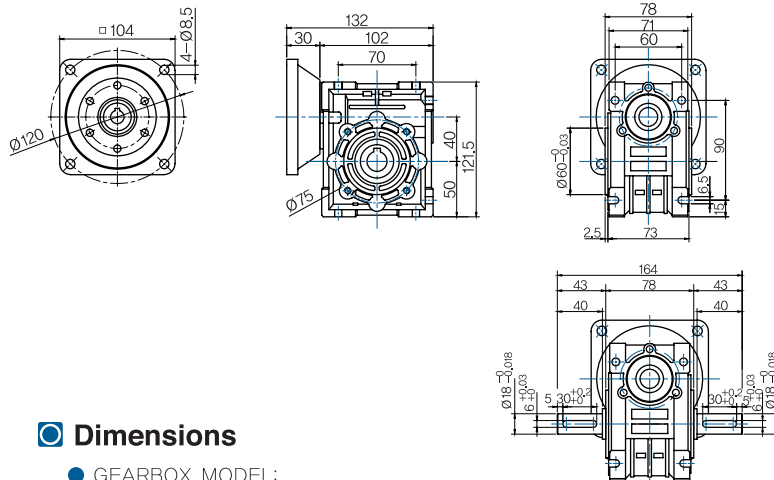
## Max. Permissible Torque at Output Shaft of Gearbox

Motor Output	Ratio		7.5	10	15	20	25	30	40	50	60	80	100
	50Hz	60Hz	r/min										
250W	50Hz	kgfcm	100	130	190	240	290	325	305	*	*	*	*
300W	50Hz		145	190	270	350	415	465	440	*	*	*	*
400W	60Hz		160	210	310	390	470	530	440	*	*	*	*

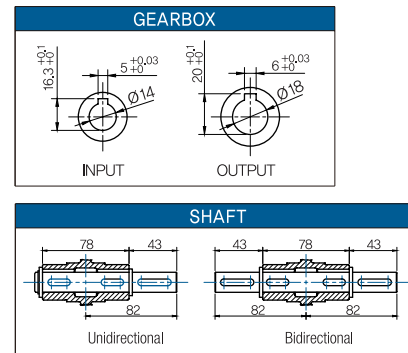
\* 10IDGE-250F : 1Phase 220V 50Hz \* 10IDG8-300F-T : 3Phase 440V 50Hz \* 10IDG7-300F-T : 3Phase 230/400V 50Hz \* 10IDG6-400F-T : 3Phase 220/380V 60Hz

## Dimensions

GEARBOX MODEL: 10WHD □ -040 (Ratio 7.5:1 ~ 40:1)



## KEY SPEC



## Dimensions

GEARBOX MODEL:  
10IDG □ -400FWH-T\_10WHD □ -040

