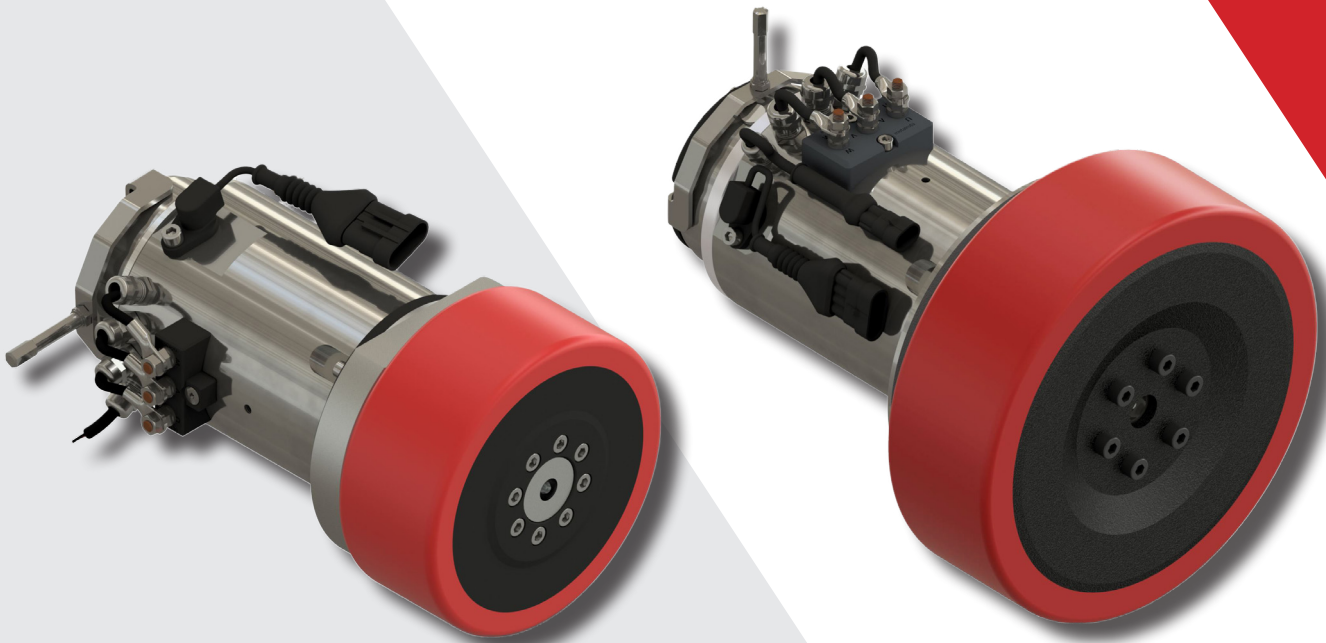
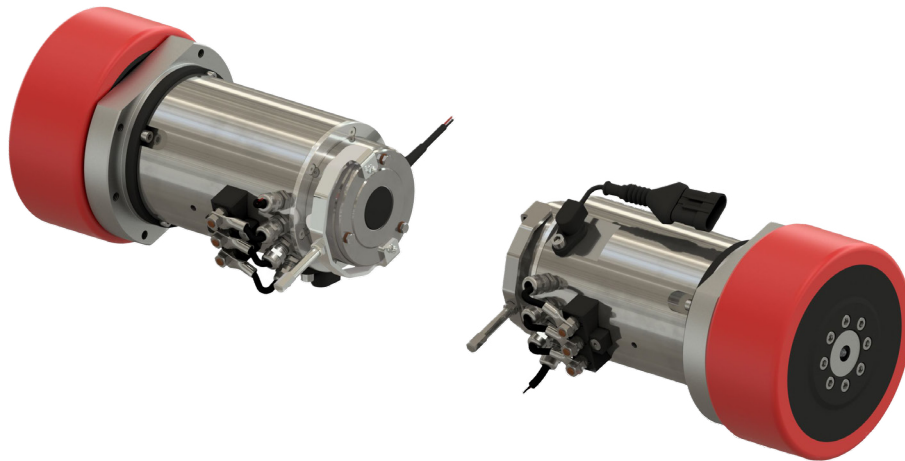




WE MOVE YOUR IDEAS.

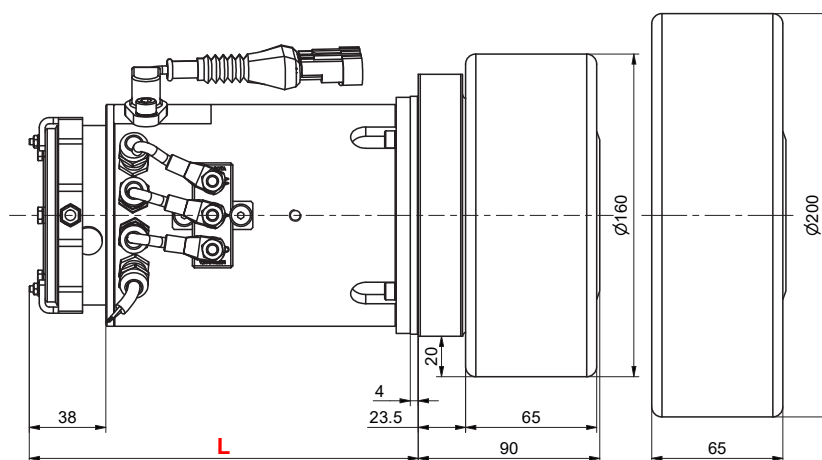
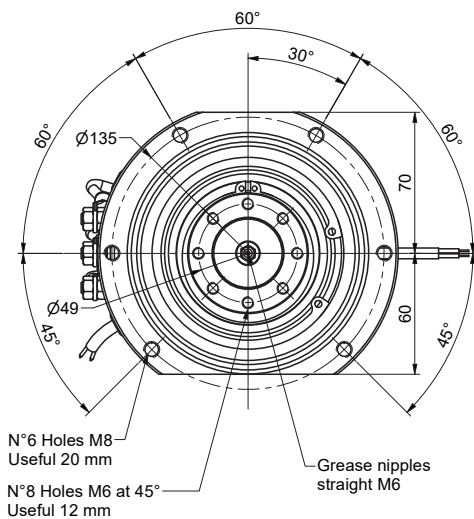
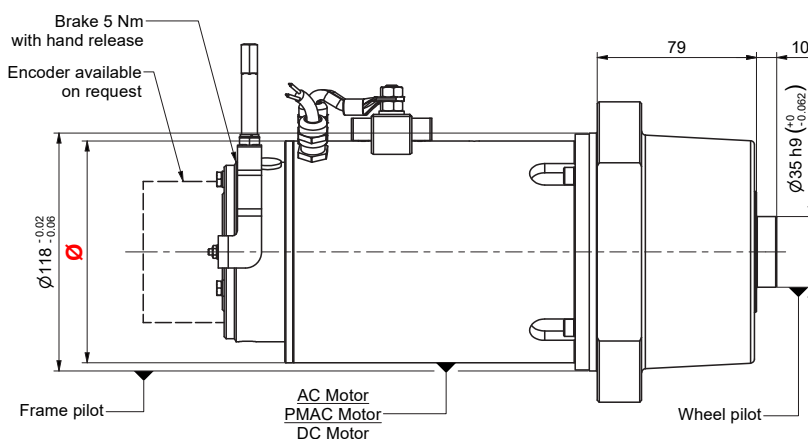


**DUAL DRIVE SYSTEMS**  
TECHNICAL EXCELLENCE SINCE 1965



# MRH116

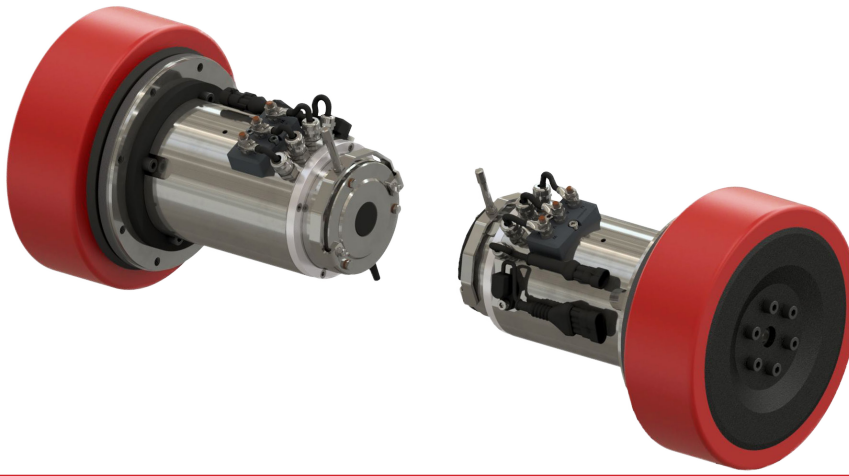
	AC Motor	PMAC Motor	DC Motor
L	193	199	175
Ø	110	100	102



Gearbox features		
Available gear ratios	i	12.57:1 23.40:1
Output torque ratings	Continuous	140 Nm
	Intermittent	220 Nm
Lubrication type		Grease
Weight		12 kg
Wheels features		
Dimensions and max radial load		Ø160x65 mm 500 kg
		Ø200x65 mm 600 kg
Wheels material*		Polyurethane
Available treads		Smooth
		Grooved
Hardness	ShA	90

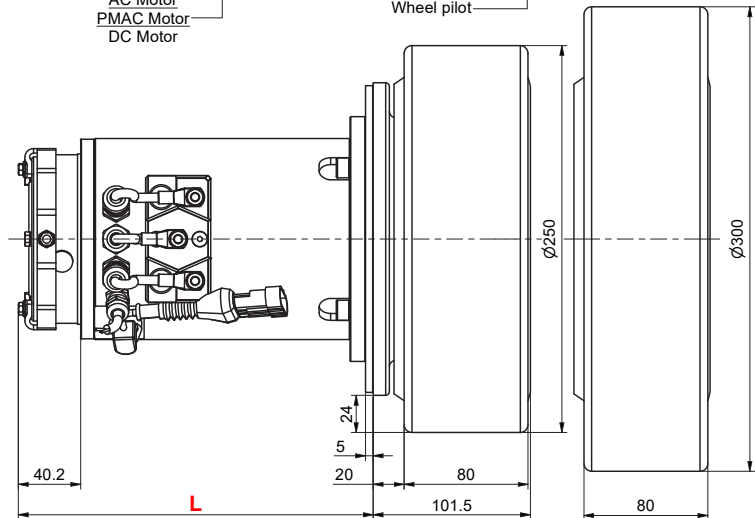
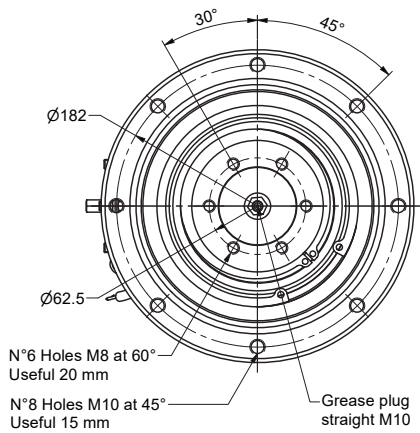
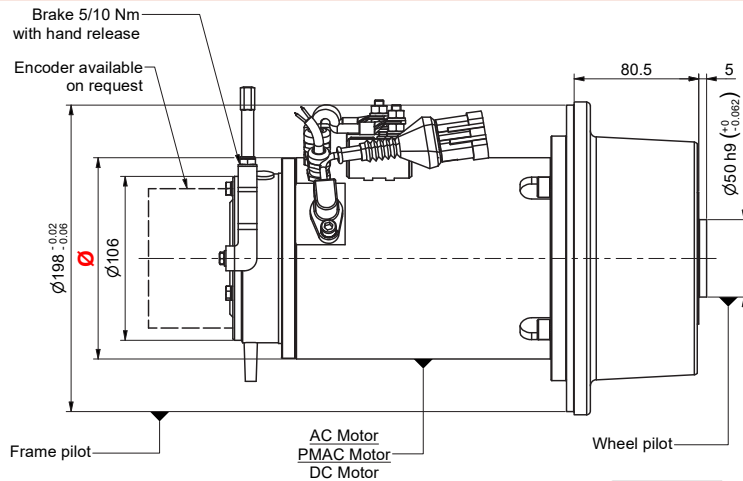


\*Other materials, hardness, dimensions and wheel treads are available on request.

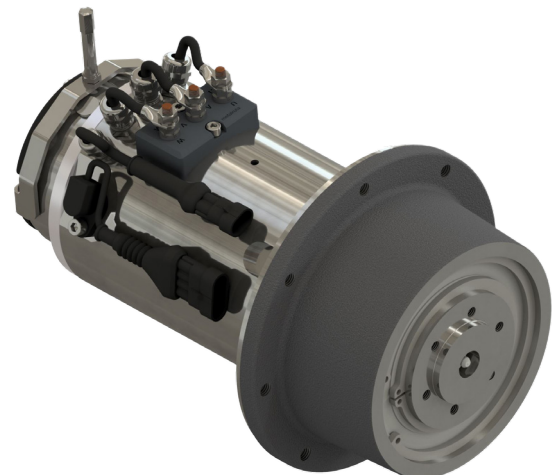


# MRH157

	AC Motor	PMAC Motor	DC Motor
L	230	237	219
Ø	157	135	113



Gearbox features		
Available gear ratios	<b>i</b>	17.64:1 37.80:1
Output torque ratings	Continuous	400 Nm
	Intermittent	750 Nm
Lubrication type		Grease
Weight		21 kg
Wheels features		
Dimensions and max radial load		Ø250x80 mm 1000 kg
		Ø300x80 mm 1000 kg
Wheels material*		Polyurethane
Available treads		Smooth
		Grooved
Hardness	<b>ShA</b>	90



\*Other materials, hardness, dimensions and wheel treads are available on request.

Modena  
Italy



Via Bulgaria, 46  
41122 Modena - Italy

Tel: +(39) 059315204  
Fax: +(39) 059450439

info@metalrota.it  
www.metalrota.it



MADE IN ITALY

