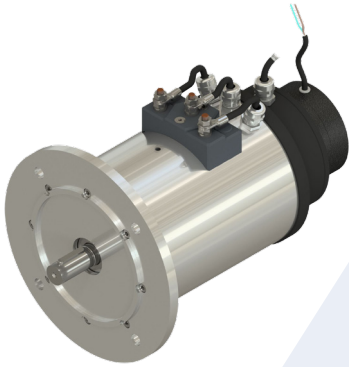


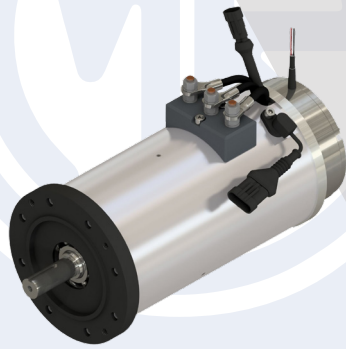
PRODUCTS CATALOGUE
TECHNICAL EXCELLENCE SINCE 1965





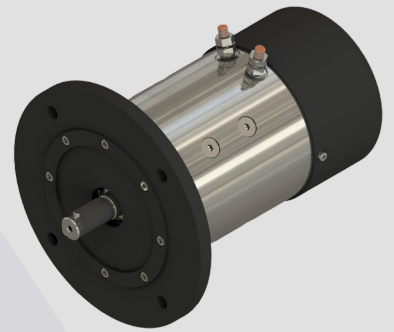
PMAC Synchronous Motor

Voltage: 24V - 144V
Power: 300W - 50kW
Flange: B5/B14/customized
Sensor: SinCos/Resolver/Encoder
Protection: IP20 - IP65



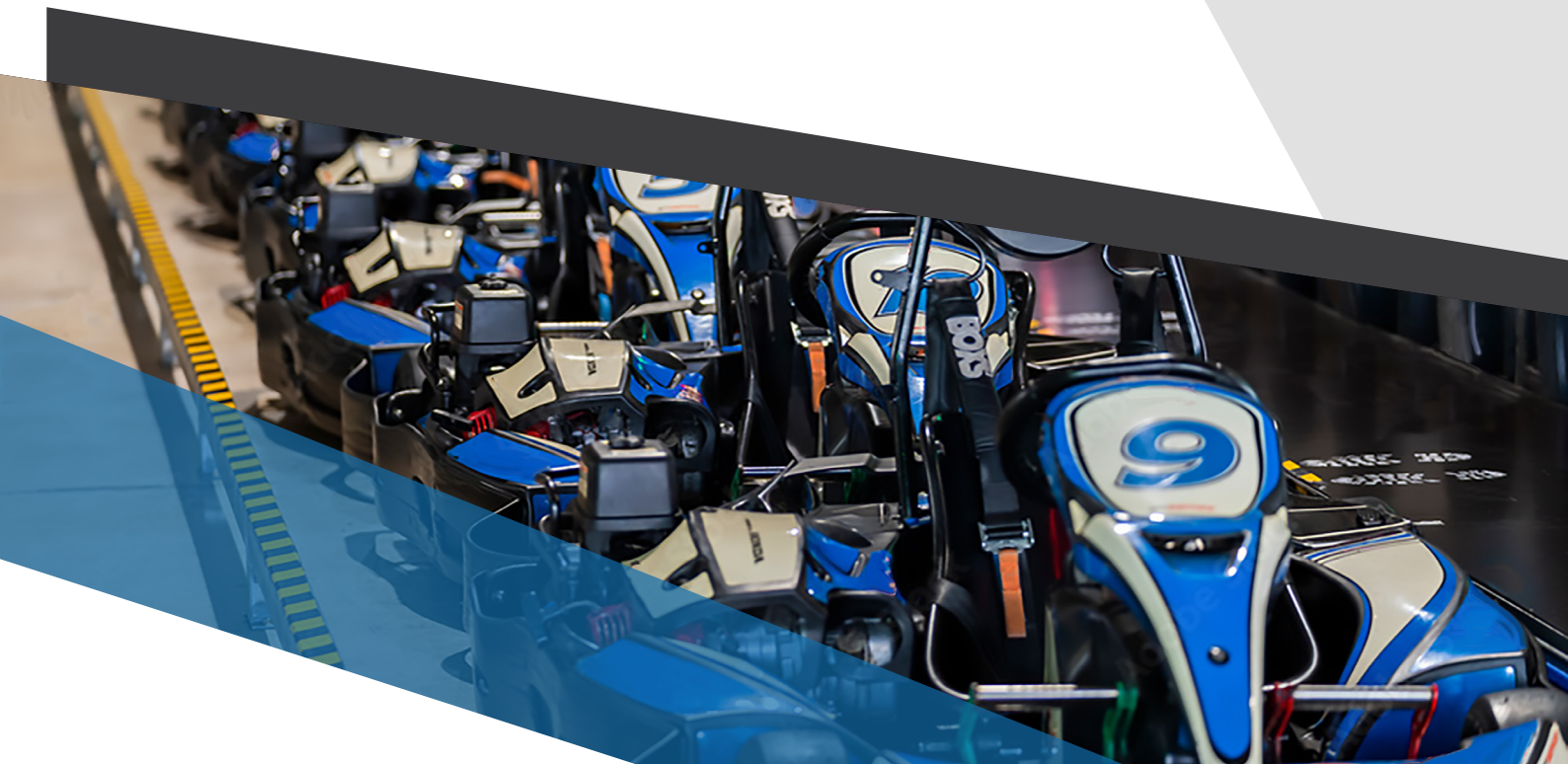
AC Motor

Voltage: 24V - 144V
Power: 300W - 50kW
Flange: B5/B14/customized
Protection: IP20 - IP65

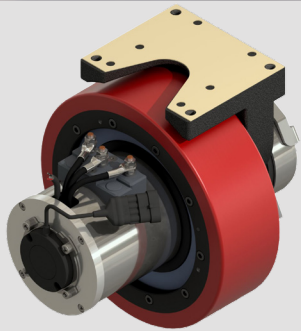


DC Motor

Voltage: 12V - 144V
Power: 300W - 15kW
Flange: B5/B14/customized
Protection: IP20 - IP54

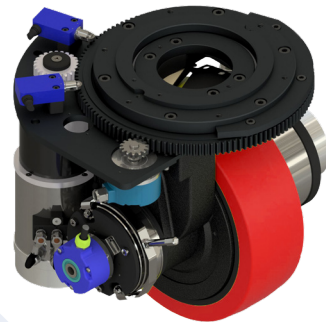


DRIVE WHEELS



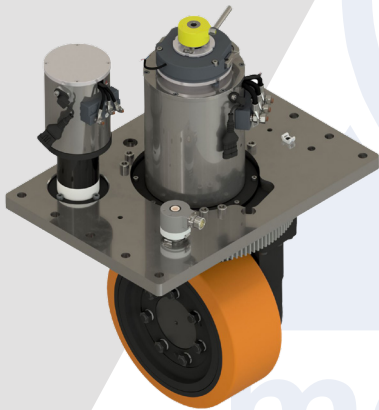
Horizontal

Loads: from 200kg to 6000kg
Torque: from 230Nm to 12000Nm
Wheel diameter: from 150 to 551mm



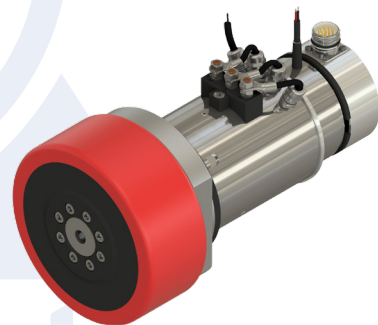
Horizontal Steering

Loads: from 200kg to 6000kg
Torque: from 230Nm to 12000Nm
Wheel diameter: from 150 to 559mm



Vertical Steering

Loads: from 430kg to 4500kg
Torque: from 400Nm to 2600Nm
Wheel diameter: from 230 to 457mm



Dual Drive

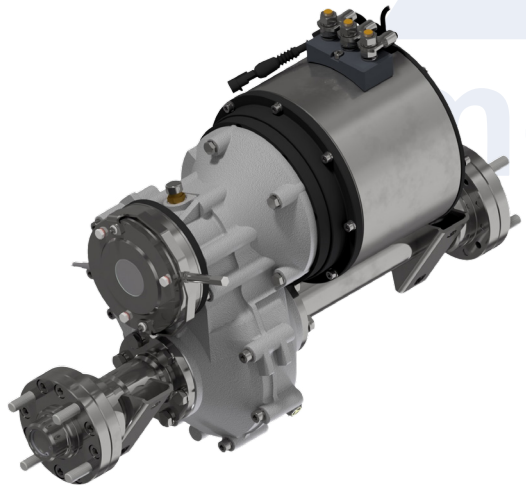
Loads: from 500kg to 1000kg
Torque: from 140Nm to 750Nm
Wheel diameter: from 160 to 300mm





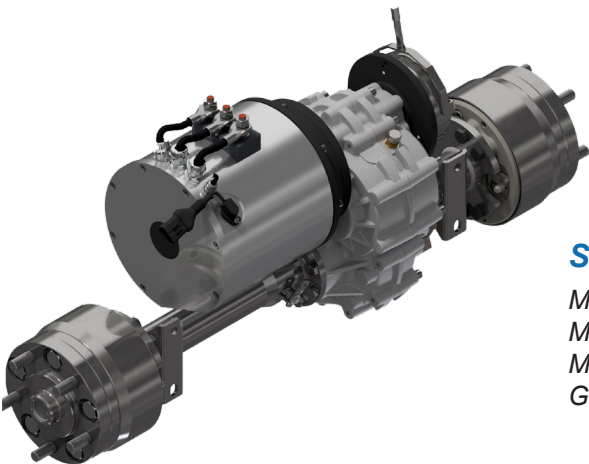
S21 Model

*Motor up to 1,5kW
Maximum loads on axles: 400kg
Maximum output torque: 400Nm
Gear ratios: from 1:10 to 1:31*



S40 Model

*Motor up to 5kW
Maximum loads on axles: 1500kg
Maximum output torque: 1000Nm
Gear ratios: from 1:10 to 1:39*



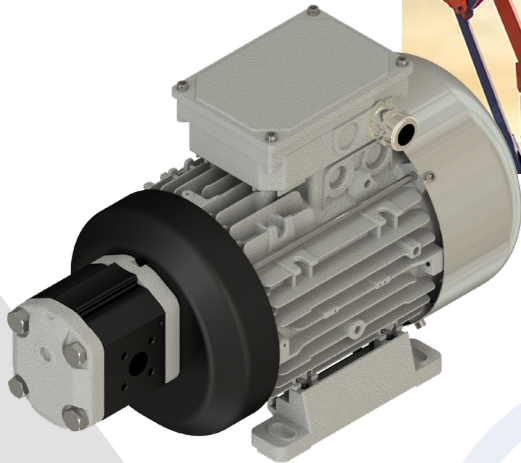
S55 Model

*Motor up to 20kW
Maximum loads on axles: 1600kg
Maximum output torque: 1600Nm
Gear ratios: from 1:10 to 1:55*



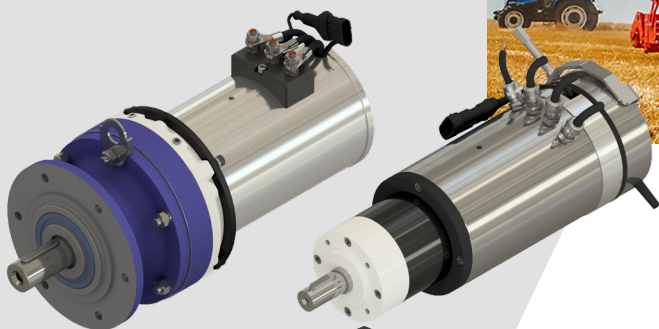
MOTORPUMPS

Voltage: 12V - 120V
Power: 300W - 15kW
Pump group: Gr1 - Gr2
Protection: IP20 - IP65



GEARMOTORS

Voltage: 12V - 120V
Power: 300W - 15kW
Torque: up to 700Nm
Gear boxes:
PM62/ PM81/ PM120/ cyclo





Contact Us

Via Bulgaria, 46
41122 Modena - Italy

Tel:+(39) 059315204
Fax:+(39) 059450439

info@metalrota.it
www.metalrota.it

 [Metalrota srl](https://www.linkedin.com/company/metalrota)



0273



ISO 9001 : 2015



ISO 14001 : 2015

MADE IN ITALY

