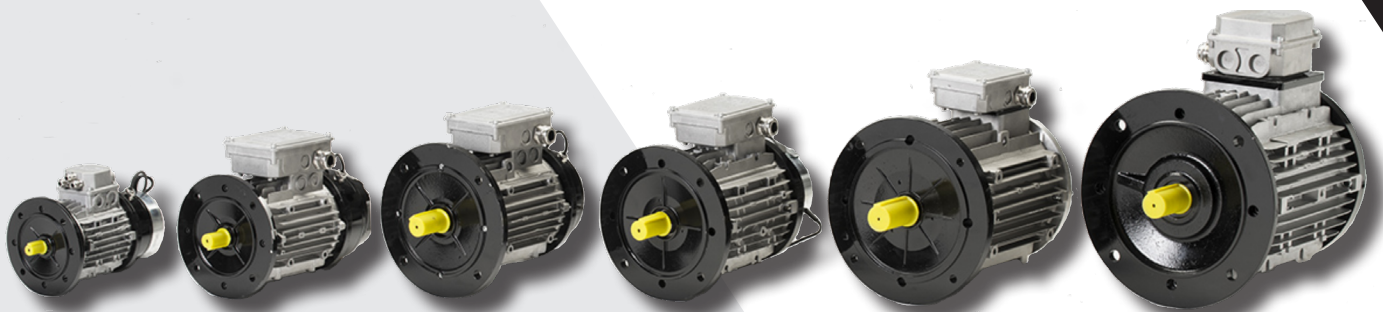




WE MOVE YOUR IDEAS.



**PMAC SYNCHRONOUS MOTORS**  
TECHNICAL EXCELLENCE SINCE 1965

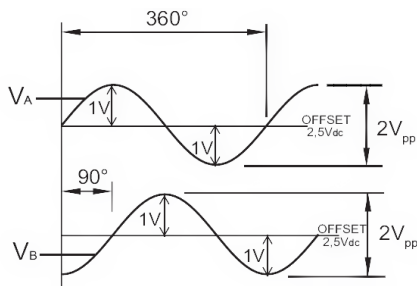
# PMAC Motors - 24V-144V

- ▶ Higher Efficiency than other motor technologies as DC and AC (90-95%)
- ▶ High accuracy and control positioning on motor's rotation
- ▶ Compact dimensions achieved by the high power density
- ▶ Low thermal heating and dissipation

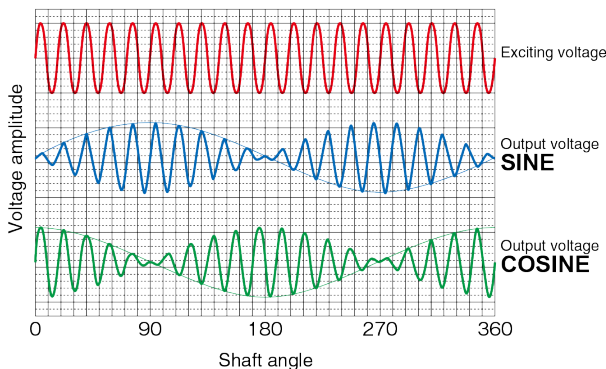


According to the application, we can design and customize countless motor windings to satisfy the customers needs and provide maximum efficiency.

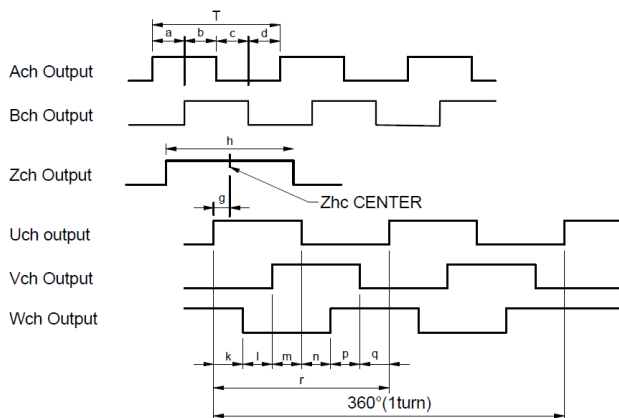
## Sensor



**Analogue Sinusoidal SIN/COS**



**Resolver**



**HALL Sensor**



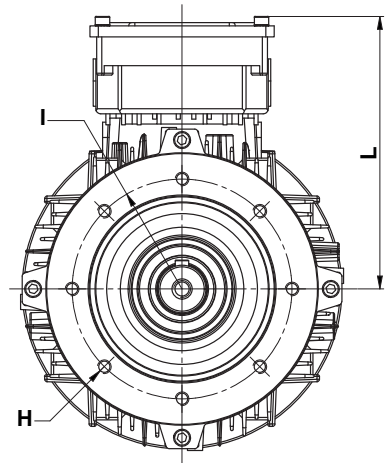
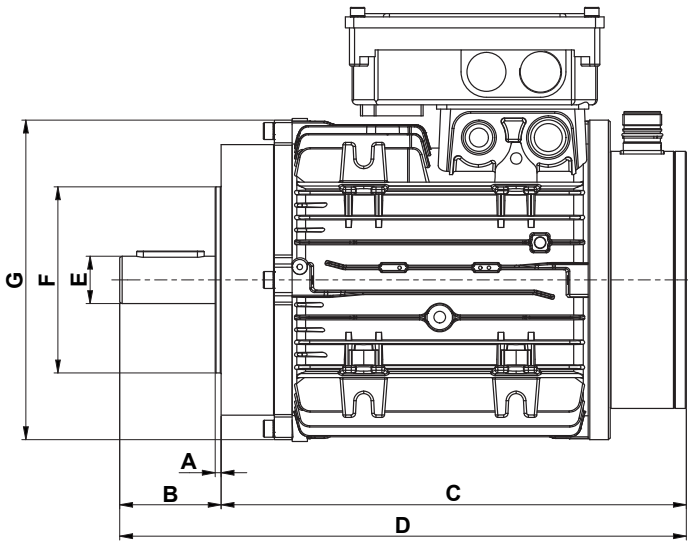
## Available on request:

- ▶ Custom shafts, Flanges and frames
- ▶ Electromagnetic brakes: from 5Nm up to 200Nm
- ▶ Thermal protection
- ▶ Sin/Cos sensor, resolver, Incremental Hall cell encoders
- ▶ Custom terminal boxes and mounting feet
- ▶ Enclosures up to IP65

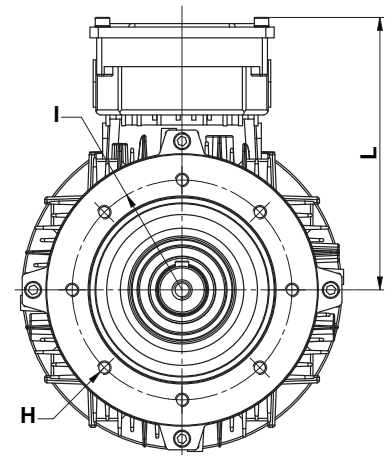
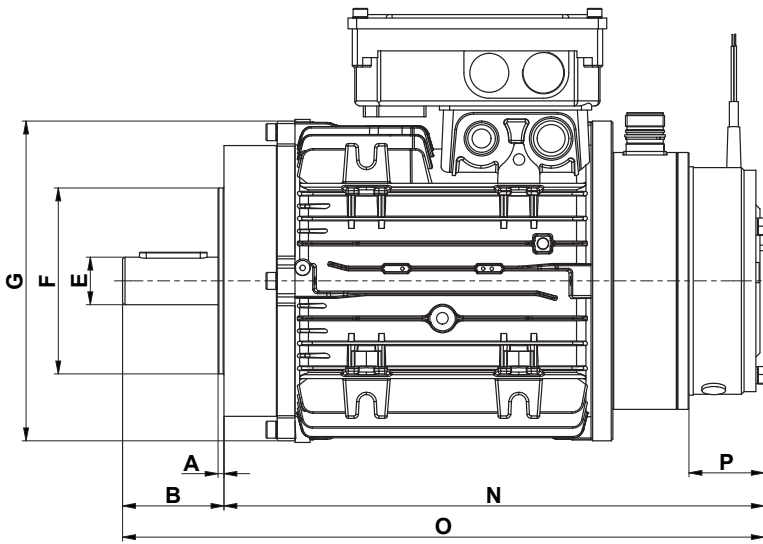


# B14 Series

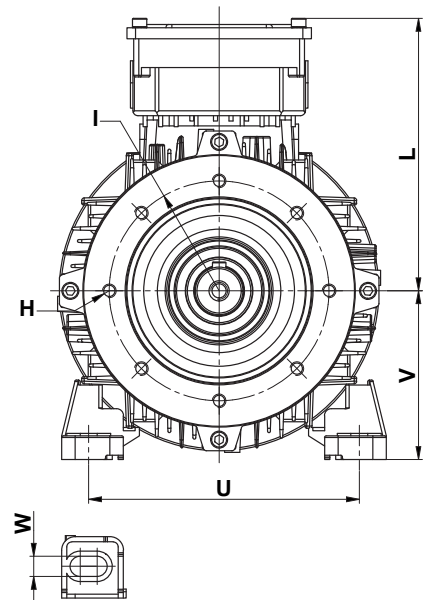
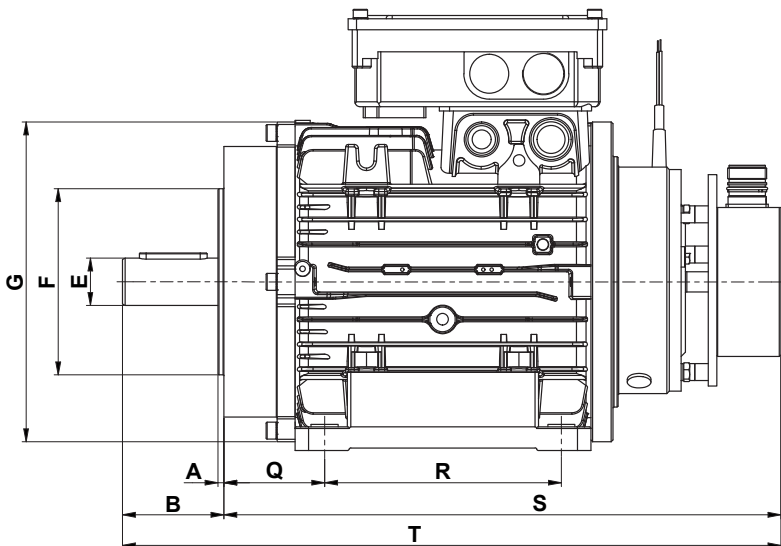
**S  
T  
A  
N  
D  
A  
R  
D**



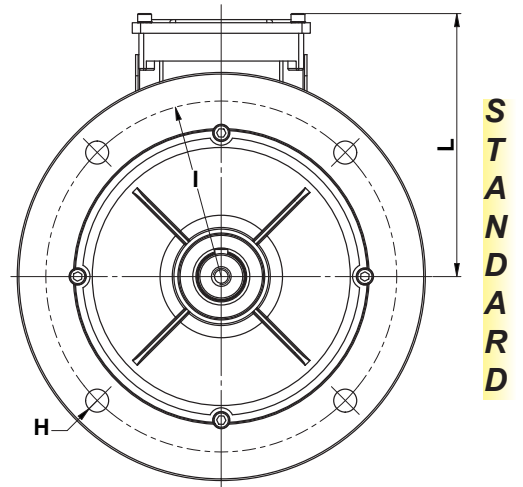
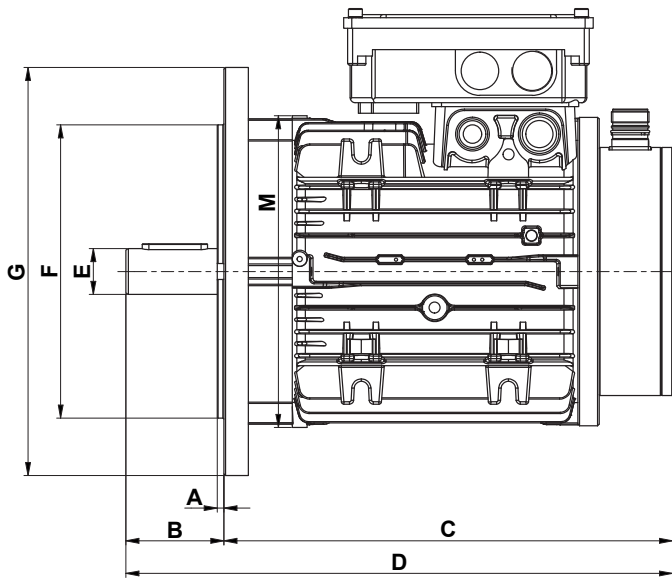
**B  
R  
A  
K  
E**



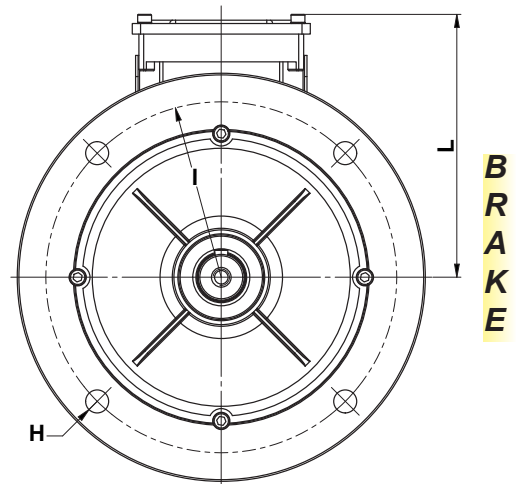
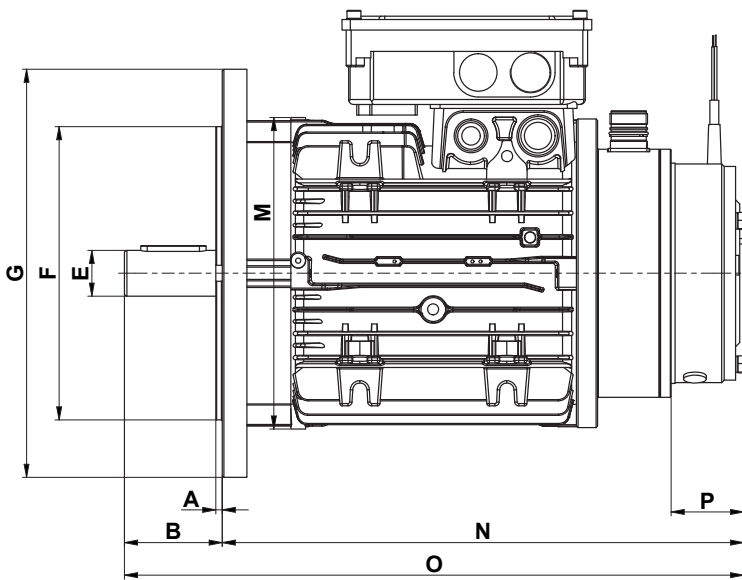
**E  
N  
C  
O  
D  
E  
R**



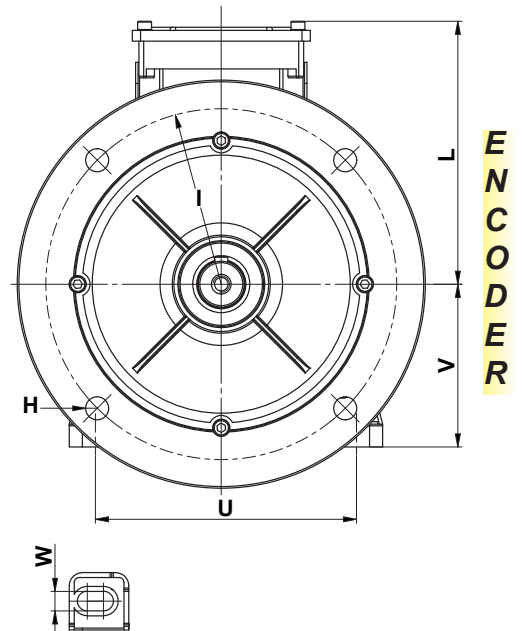
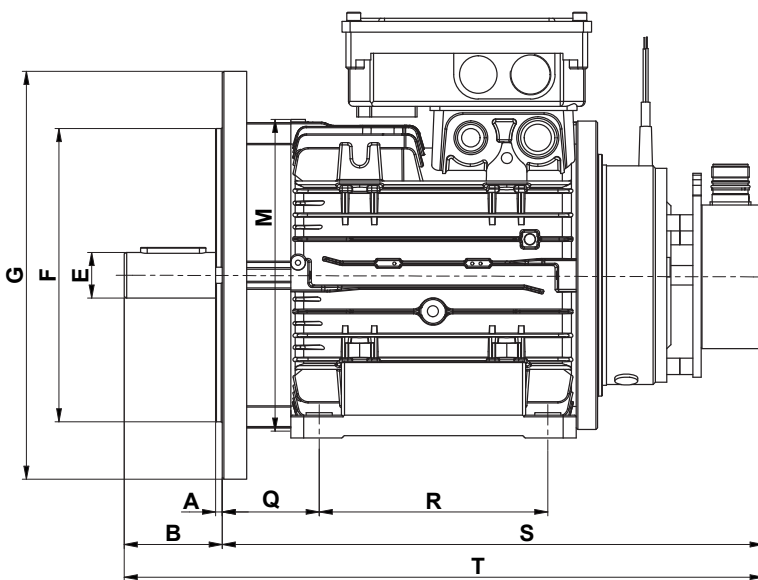
# B5 Series



**STANDARD**



**BRAKE**



**ENCODER**

# Flange B14

Custom shafts, Flanges and frames, available on request

Frame	A	B	C	D	E	F	G	H	I	L	N	O	P	Q	R	S	T	U	V	W
IEC71	2.5	30	193	223	14	70	139	M6	85	109	259	289	36	45	90	235	265	112	71	7
IEC80	3	40	211	251	19	80	158	M6	100	121	247	287	36	50	100	254	294	125	80	7
IEC90	3	50	254	304	24	95	170	M8	115	151	299	349	45	55	125	292	342	140	90	10
IEC100	3.5	60	275	335	28	110	190	M8	130	162	334	394	59	60	140	344	404	160	100	12
IEC112	4	60	293	353	28	110	213	M8	130	174	352	412	59	67	140	348	408	190	112	14
IEC132	4	80	355	435	38	130	250	M10	165	198	425	505	70	87	178	425	505	216	132	16

Power*	Frame
1000-1500 W	IEC71
2000-3000 W	IEC80
3000-5000 W	IEC90
5000-6000 W	IEC100
6000-8000 W	IEC112
8000-15000 W	IEC132

\*Power may vary according to the battery voltage (24V-144V) and rpm

# Flange B5

Custom shafts, Flanges and frames, available on request

Frame	A	B	C	D	E	F	G	H	I	L	M	N	O	P	Q	R	S	T	U	V	W
IEC71	3.5	30	196	223	14	110	160	9	130	109	135	232	262	36	36	90	232	262	112	71	7
IEC80	3.5	40	211	251	19	130	200	11.5	165	121	152	247	287	36	45.5	100	254	294	125	80	7
IEC90	3.5	50	254	304	24	130	200	11.5	165	150	168	299	349	45	54	125	292	342	140	90	10
IEC100	4	60	275	335	28	180	250	14	215	162	186	334	394	59	60	140	344	404	160	100	12
IEC112	4	60	293	353	28	180	250	14	215	174	208	352	412	59	67	140	348	408	190	112	14
IEC132	4	80	355	435	38	230	300	14	265	198	252	425	505	70	86.5	178	425	505	216	132	16

ATTENTION: The quotes in the tables above may vary according to the specific type of motor

Modena  
Italy



Via Bulgaria, 46  
41122 Modena - Italy

Tel:+(39) 059315204  
Fax:+(39) 059450439

info@metalrota.it  
www.metalrota.it



MADE IN ITALY

