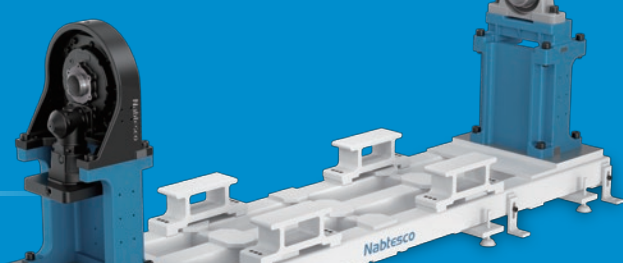
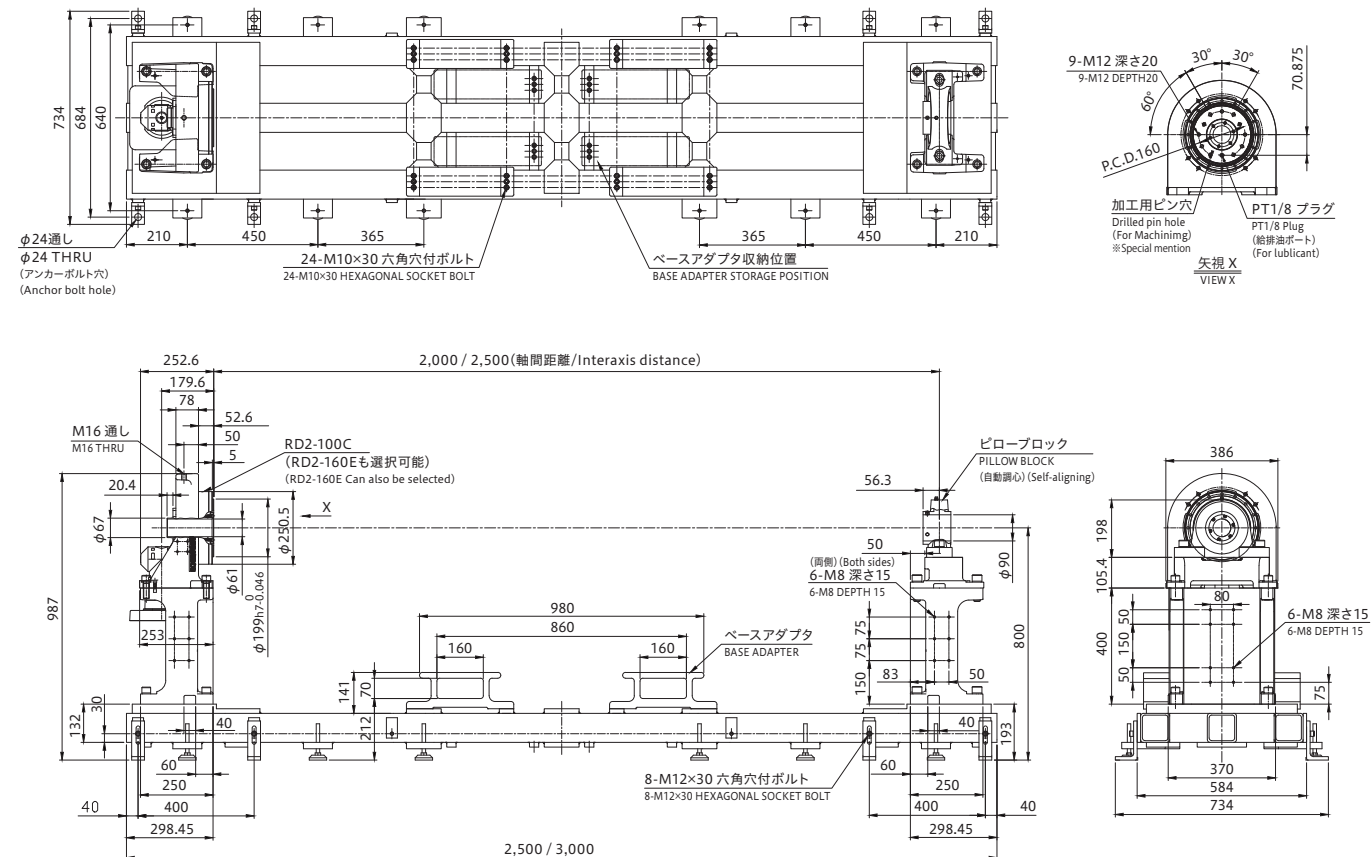


RVP™

B Series



External Dimensions



* This drawing is for the RD2-100C version.
Please contact us for the RD2-160E version.

RV®

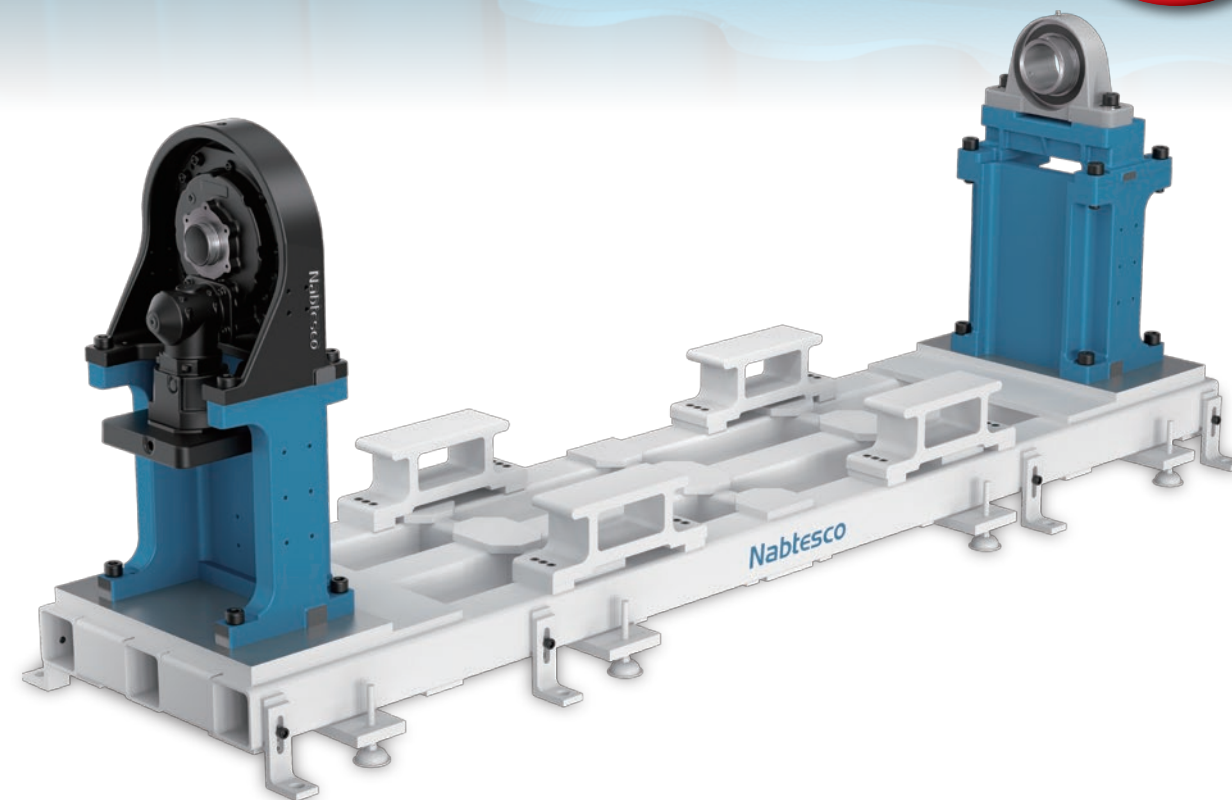
Precision Reduction Gear RV™

Gearhead for Positioners

RVP™

B Series

New Product



Nabtesco

Nabtesco Corporation

<https://precision.nabtesco.com/>



- Nabtesco, RV and RVP are registered trademarks or trademarks of Nabtesco Corporation.
- Specifications are subject to change without notice.
- Unauthorized reprinting, reproduction, copying, or translation of this catalog in whole or in part is strictly prohibited.

CAT.180425-Rev.001 (Issued on April 25, 2018)



Europe and Africa

Nabtesco Precision Europe GmbH (Düsseldorf, Germany)
TEL: +49-211-173790 FAX: +49-211-364677
E-MAIL: info@nabtesco.de

North and South America

Nabtesco Motion Control Inc. (MI, USA)
TEL: +1-248-553-3020 FAX: +1-248-553-3070
E-MAIL: engineer@nabtescomotioncontrol.com

India

Nabtesco India Private Limited (Bangalore, India)
TEL: +91-80-4123-4901 FAX: +91-80-4123-4903

Asia and others

Nabtesco Corporation (Japan)
Nagoya Office
TEL: +81-52-582-2981 FAX: +81-52-582-2987

Customer Support Center
TEL: +81-59-237-4672 FAX: +81-59-237-4697

E-MAIL: P_Information@nabtesco.com

**New BBQ positioner gearhead kit equipped with
the welding positioner industry-proven
Precision Reduction Gear RV™**

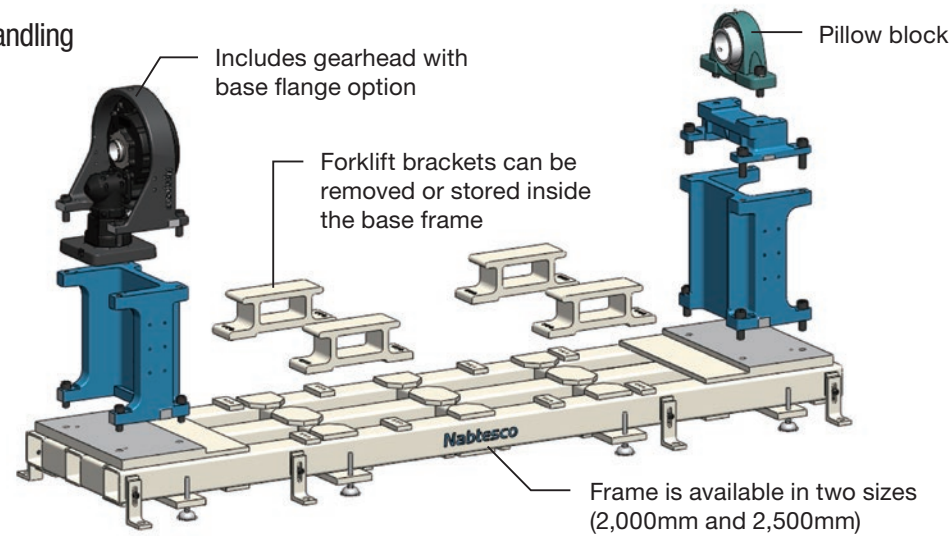
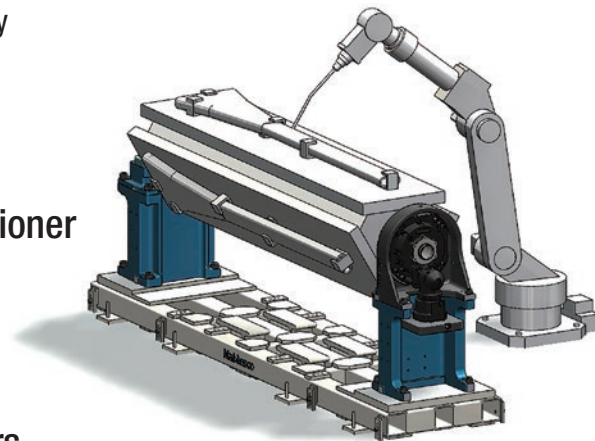
Nabtesco

Features

- A gearhead utilizing the industrial robot industry-proven Precision Reduction Gear RV™**
 High accuracy, rigidity, and reliability → Improved welding quality
- No centering alignment necessary**
 Faster setup and assembly time
- Includes all major parts needed for a BBQ positioner**
 One stop shopping for all major parts simplifies and streamlines procurement
 Reduction of time needed for design and production
- Support for all major servo motor manufacturers**
 Compatible for collaborative work using many different robots
- High-rigidity, shock resistant frame**
 Easy transportation and handling

Application Example

Forklift brackets stored inside base frame



We also offer customized solutions.
 Please contact us for more information.
 (Axis length, height, width, frame shape, etc.. can be customized)



Specification Table

Model	RVP-B10C		RVP-B10E	
Maximum allowable load	1,000kg			
Maximum center of gravity height	250mm		400mm	
Hollow shaft diameter (Reduction gear)	Ø61			
Hollow shaft diameter (Pillow bearing)	Ø90			
Allowable startup/stop torque	2,450Nm		3,920Nm	
Moment of inertia I (I=GD²/4) motor input conversion	8.23×10 ⁻⁴ ~2.16×10 ⁻³ kg-m²		8.94×10 ⁻⁴ ~6.68×10 ⁻³ kg-m²	
Backlash/ RDS, RDP	1 arc.min.			
Lost motion RDR	1.5 arc.min.			
Weight *1	702kg (Frame length 2,500mm) / 665kg (Frame length 2,000mm)		718kg (Frame length 2,500mm) / 681kg (Frame length 2,000mm)	
Reduction ratio	100.5	210	66	121
	150	258	81	145
			101	171
Allowable output speed	20rpm (2sec/180deg)			

*1 This weight does not include the motor flange.

Center of Gravity Height and Allowable Load Range

* Loading beyond this range will exceed the startup/stop torque and/or allowable moment of the reduction gear, and may damage the reduction gear.
 * Loads given are reference values.

