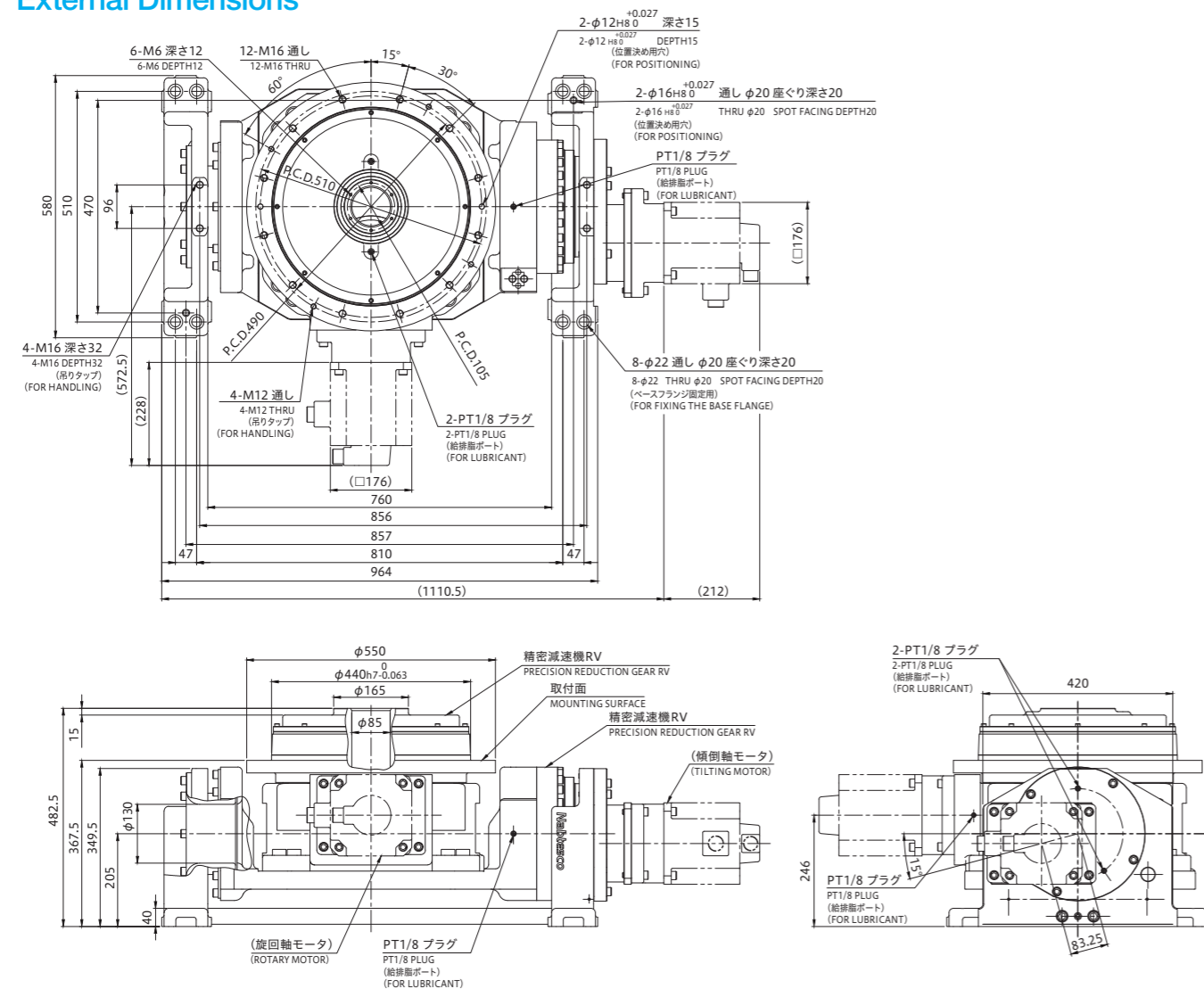


RVP™

C Series

External Dimensions



RV®

Precision Reduction Gear RV™

Gearhead for Positioners

RVP™

C Series

New Product



New turntable gearhead equipped with a variable height mechanism

Nabtesco

Nabtesco Corporation

<https://precision.nabtesco.com/>



- Nabtesco, RV and RVP are registered trademarks or trademarks of Nabtesco Corporation.
- Specifications are subject to change without notice.
- Unauthorized reprinting, reproduction, copying, or translation of this catalog in whole or in part is strictly prohibited.

CAT.180425-Rev.002 (Issued on April 25, 2018)



Europe and Africa

Nabtesco Precision Europe GmbH (Düsseldorf, Germany)
 TEL: +49-211-173790 FAX: +49-211-364677
 E-MAIL: info@nabtesco.de

North and South America

Nabtesco Motion Control Inc. (MI, USA)
 TEL: +1-248-553-3020 FAX: +1-248-553-3070
 E-MAIL: engineer@nabtescomotioncontrol.com

India

Nabtesco India Private Limited (Bangalore, India)
 TEL: +91-80-4123-4901 FAX: +91-80-4123-4903

Asia and others

Nabtesco Corporation (Japan)
 Nagoya Office
 TEL: +81-52-582-2981 FAX: +81-52-582-2987

Customer Support Center

TEL: +81-59-237-4672 FAX: +81-59-237-4697

E-MAIL: P_Information@nabtesco.com

Nabtesco

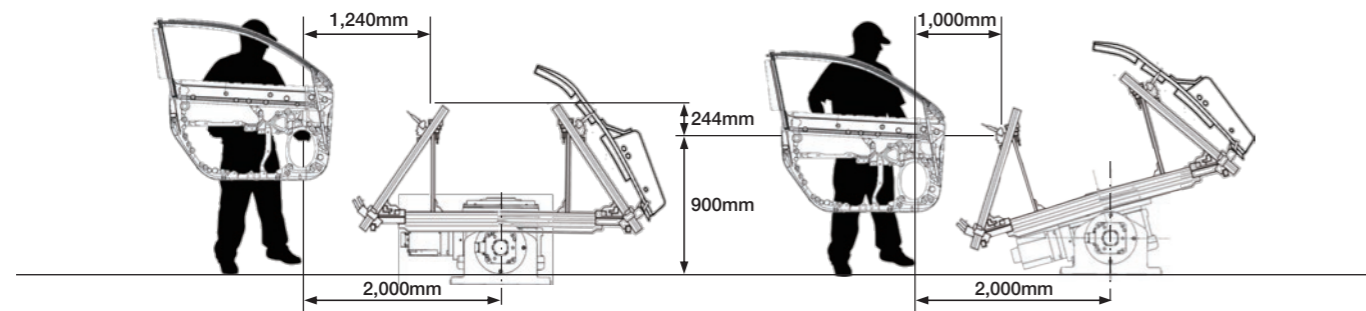


Features

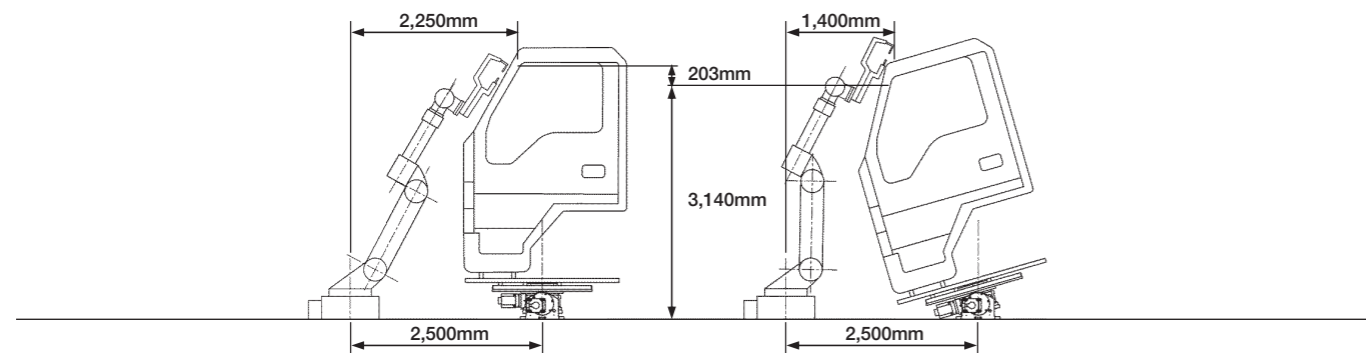
- A gearhead utilizing the industrial robot industry-proven Precision Reduction Gear RV™**
 High accuracy, rigidity, and reliability → Improved welding quality
- A turntable equipped with a tilt axis**
 Improved workability with human centered design → Reduction of the burden on workers • Faster setting times • Improved mixed model production
 Area weldable by robot increased → Robot operating distance reduced → Shorter cycle and reduced production times
- Support for all major servo motor manufacturers**
 Compatible for collaborative work using many different robots
- A wide variety of options are available (Mechanical stopper, origin positioning pin, mounting plate, etc..)**

Application Example

Improved workability with human centered design • Faster setting times • Increased flexibility for mixed model production



By varying the height, areas that would normally be unreachable for the robot can be welded

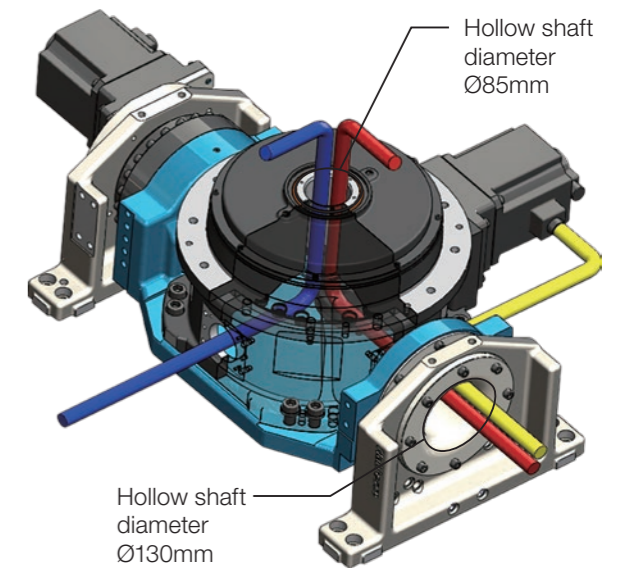


Specification Table

Model		RVP-C40
Maximum allowable load		4,000kg
Maximum center of gravity height		500mm
Maximum tilt angle		±16deg *
Hollow shaft diameter (Rotary axis/Tilt axis)		Ø85/Ø130
Allowable startup/stop torque	Rotary axis	7,840Nm
	Tilt axis	9,310Nm
Moment of inertia I (I=GD²/4) motor input conversion	Rotary axis	3.40×10 ⁻³ kg-m²
	Tilt axis	3.21×10 ⁻³ kg-m²
Backlash • Lost motion		1 arc.min.
Weight		649kg
Reduction ratio	Rotary axis	170
	Tilt axis	706.5
(Reference) Maximum output speed	Rotary axis	17.6rpm (1.78sec/180deg)
	Tilt axis	4.2rpm (1.78sec/16deg)

* The maximum tilt angle is ±25 degrees, but may change depending on the load and the center of gravity of the load. For details, please refer to the figure below.

Cable Layout Example



Center of Gravity Height and Allowable Load Range

* Loading beyond this range will exceed the startup/stop torque and/or allowable moment of the reduction gear, and may damage the reduction gear.
 * Loads given are reference values.

