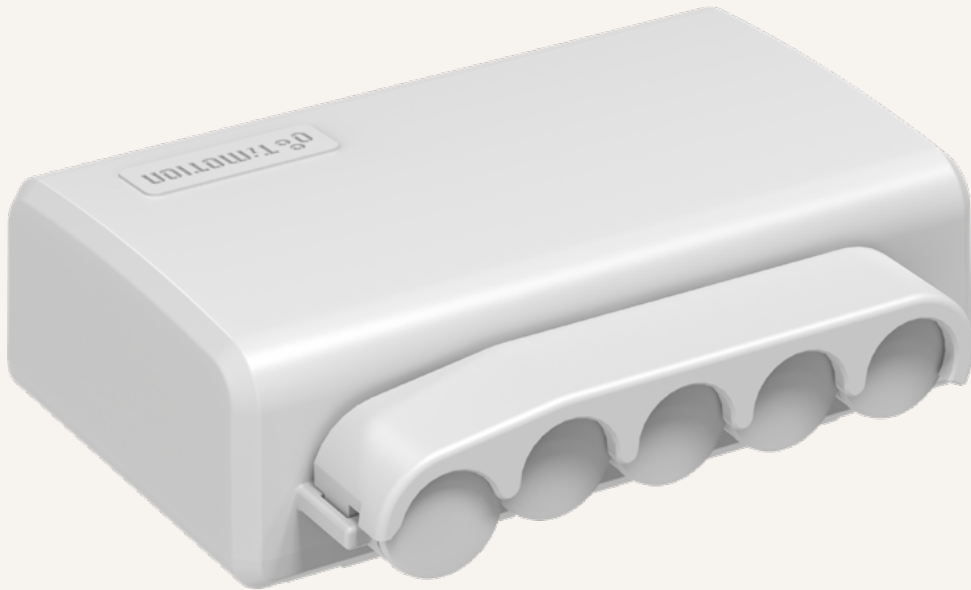


TC14

series



Product Segments

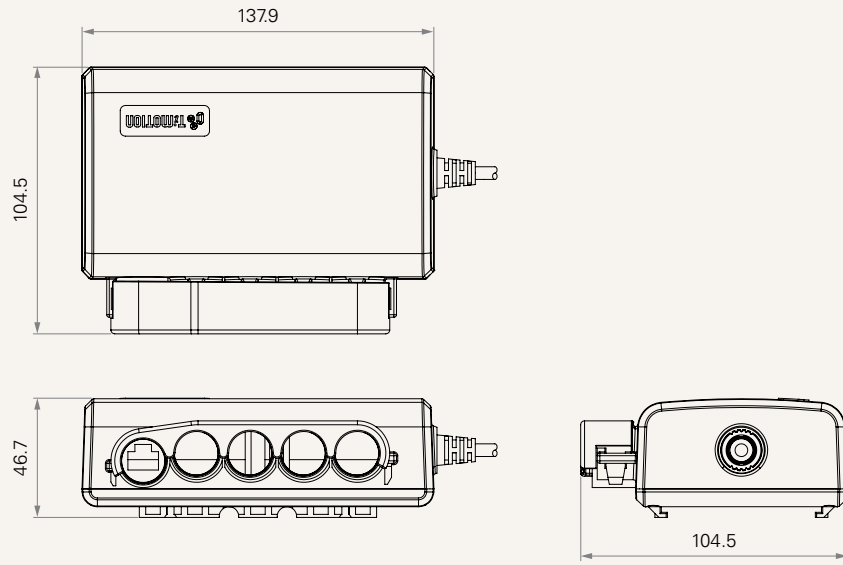
- **Care Motion**
- **Comfort Motion**

General Features

Number of motors	1~4
IP rating	IP66
Options	Wireless module (optional)
Input voltage	24V DC
Certificate	IEC60601-1, ES60601-1, IEC60601-1-2, UL962
Color	Grey
Operational temperature range	+5°C~+45°C

Drawing

Standard Dimensions
(mm)



Input Voltage	2 = 24VDC			
MCU	B = Without	C = With		
Number of Actuators	1 = 1	2 = 2	3 = 3	4 = 4
Handset Channel	1 = 1			
Backup Battery Channel	0 = Without			
Wireless Module	0 = Without	R = 315 MHz	F = 433 MHz	G = 2.4G
DC Input Plug	1 = Small 01P	2 = Long DIN 5P		
DC Cable Length (mm)	1 = Straight, 1000	2 = Straight, 1500	3 = Straight, 2000	
Fixation	1 = On the actuator (TA10/TA23/TA31)		2 = On the steel bracket	3 = On the plastic bracket
Buzzer	0 = Without		1 = With	
Color	2 = Pantone 428C			
IP Rating	1 = Without	2 = IP54	3 = IP66	

Terms of Use

The user is responsible for determining the suitability of TiMOTION products for a specific application. TiMOTION products are subject to change without prior notice.