

# TC15

series



## Product Segments

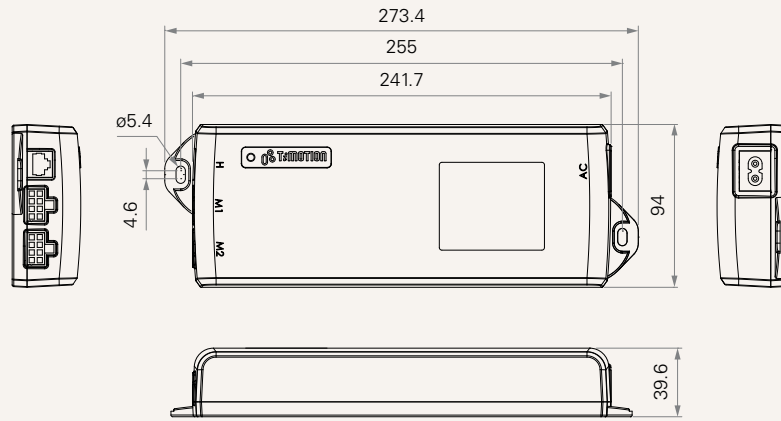
- **Comfort Motion**
- **Ergo Motion**

## General Features

Number of motors	2
Max. output	32V DC, 10A
Built-in transformer type	SMPS
Plug support	EU, USA, AUS, UK, or JPN
Certificate	UL508, SAA, C-Tick
Color	Black
Operational temperature range	+5°C~+45°C
0.1W standby power consumption	
Compact design for height adjustable desks	

**Drawing**

Standard Dimensions  
(mm)



## TC15

Version: 20211105-I

---

<b>Plug</b>	1 = EU 2 = US, SPT-2	3 = AU 4 = UK	5 = JP
-------------	-------------------------	------------------	--------

---

<b>Color</b>	1 = Black		
--------------	-----------	--	--

---

<b>Cable Length (mm)</b>	1 = Straight, 1500	2 = Straight, 2000	3 = Straight, 4000
--------------------------	--------------------	--------------------	--------------------

---

<b>Transformer</b>	1 = SPM-120C (32V / 4.0A + 5V / 100mA, 0.1W standby power, 100-240V) 4 = SPM-73C (32V / 2.5A + 5V / 100mA, 0.1W standby power, 100-240V) 5 = SPM-120 (32V / 4.0A, 0.5W standby power, 100-240V) 8 = SPM-73 (32V / 2.5A, 0.5W standby power, 100-240V)		
--------------------	--	--	--

---

---

### Terms of Use

The user is responsible for determining the suitability of TiMOTION products for a specific application. TiMOTION products are subject to change without prior notice.