

# TC17

series



## Product Segments

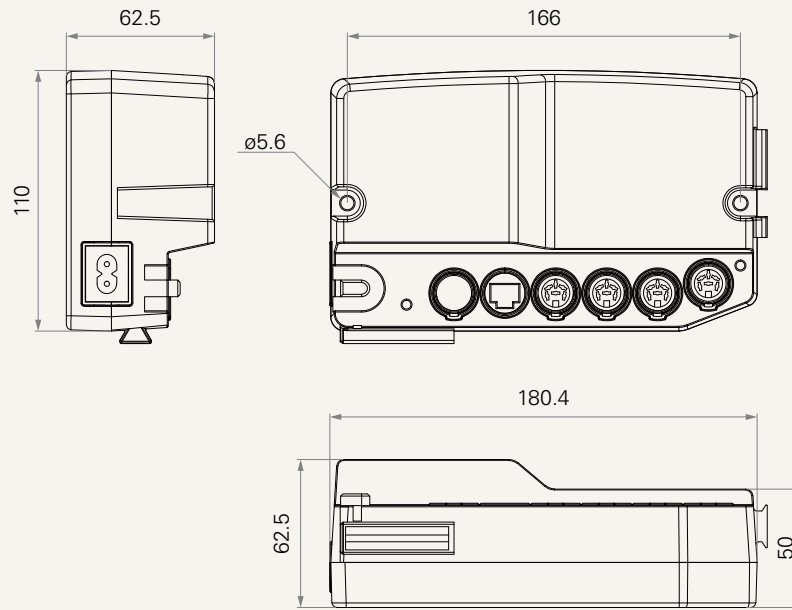
- **Care Motion**

### General Features

Number of motors	1~4
Max. output	32V DC, 6.25A
Built-in transformer type	EI, SMPS
Certificate	LVD, EMC
Plug support	EU, USA, AUS, UK, or JPN
Color	Black or grey

**Drawing**

Standard Dimensions  
(mm)



<b>Input Voltage</b>	1 = 100V AC	2 = 120V AC	3 = 230V AC	4 = 100~240V AC
<b>AC Plug</b>	1 = EU 2 = US	3 = AU 4 = UK	5 = JP	
<b>Number of Actuators</b>	1 = 1	2 = 2	3 = 3	4 = 4
<b>Color</b>	1 = Black	2 = Gray (Pantone 428C)		
<b>AC Cable Length (mm)</b>	0 = Without	1 = Straight, 2000	2 = Straight, 4000	
<b>IP Rating</b>	1 = Without			
<b>Attachment</b>	2 = Mounting holes for screw	3 = On the actuator (TA7)	6 = On the actuator (TA23 / TA31)	

### Terms of Use

The user is responsible for determining the suitability of TiMOTION products for a specific application. TiMOTION products are subject to change without prior notice.