

TC3

series



Product Segments

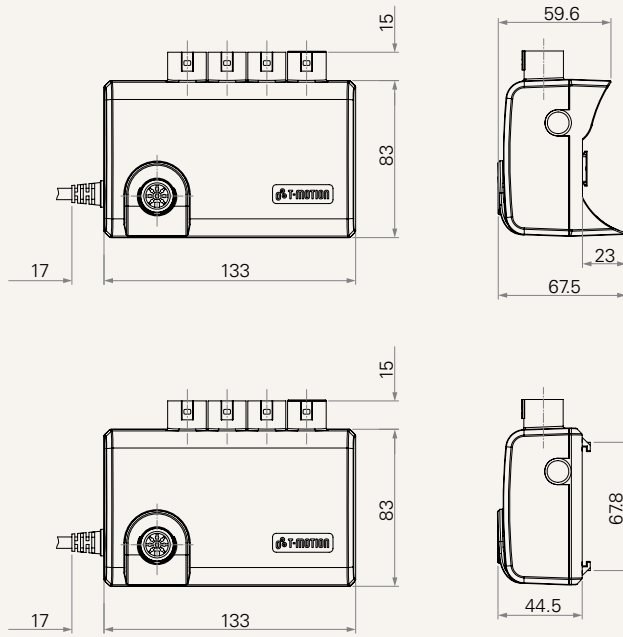
- **Comfort Motion**

General Features

Number of motors	1~4
Certificate	EMC
Color	Black or grey

Drawing

Standard Dimensions
(mm)



TC3 Ordering Key

TC3

Version: 20191218-F

Number of Actuators	1 = 1	2 = 2	3 = 3	4 = 4
Color	1 = Black	2 = Ivory white (Pantone428C)		
Cable Length (mm)	1 = Straight, 1000			
MCU	0 = Without	1 = With		
Wireless Control	0 = Without	F = RF (433 MHz) Europe default		
	R = RF (315 MHz) North America default			
DC Plug Type	1 = Long DIN 5P	2 = Small 01P		

Terms of Use

The user is responsible for determining the suitability of TiMOTION products for a specific application. TiMOTION products are subject to change without prior notice.