

# TDH1

series



## Product Segments

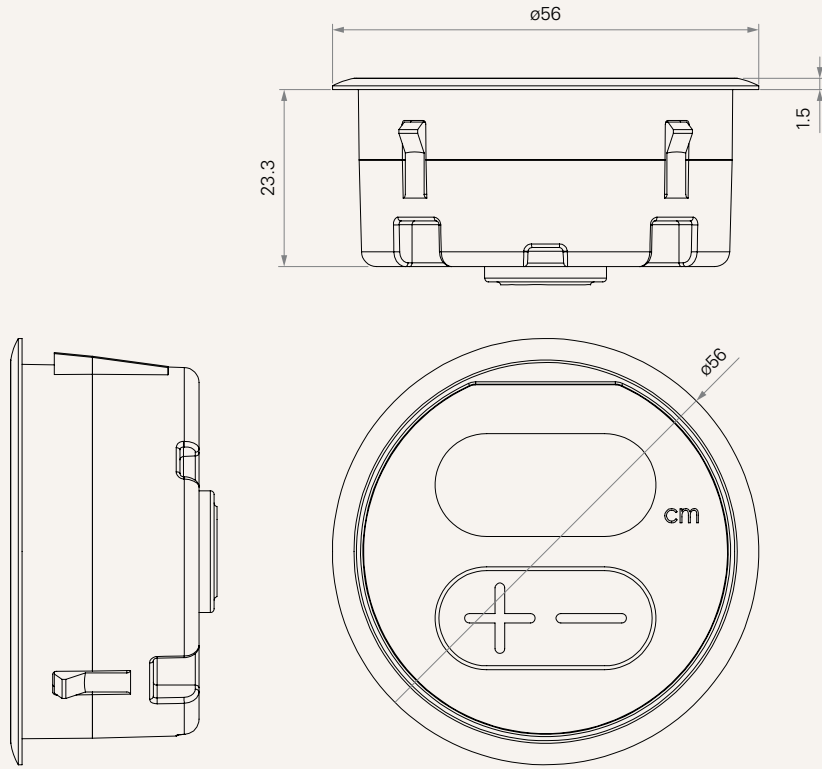
- **Ergo Motion**

## General Features

Max. available buttons	2
Color	Black, grey, grey (Pantone Grey 7C)
Options	Anti-pulling tube
3-digit display shows the height of the desk	
Touch control for height-adjustable desks	
Mounted on the tabletop	

**Drawing**

Standard Dimensions  
(mm)



<b>Number of Buttons</b>	2 = 2			
<b>Plug</b>	1 = (Round) RJ 10P, 180°, for TC6, TC9, or extension cable 6 = RJ 10P flat, 180°, for Ergo TC		7 = RJ 10P flat, 90°, for TC22	
<b>Color</b>	1 = Black	2 = Pantone 428C	3 = Grey (Pantone Grey 7C)	
<b>Cable Length (mm)</b>	1 = Straight, 500	2 = Straight, 1000	3 = Straight, 1500	4 = Straight, 2000
<b>Anti-Pulling Tube</b>	0 = Without		1 = With	

### Terms of Use

The user is responsible for determining the suitability of TiMOTION products for a specific application. TiMOTION products are subject to change without prior notice.