

TFH5

series



Product Segments

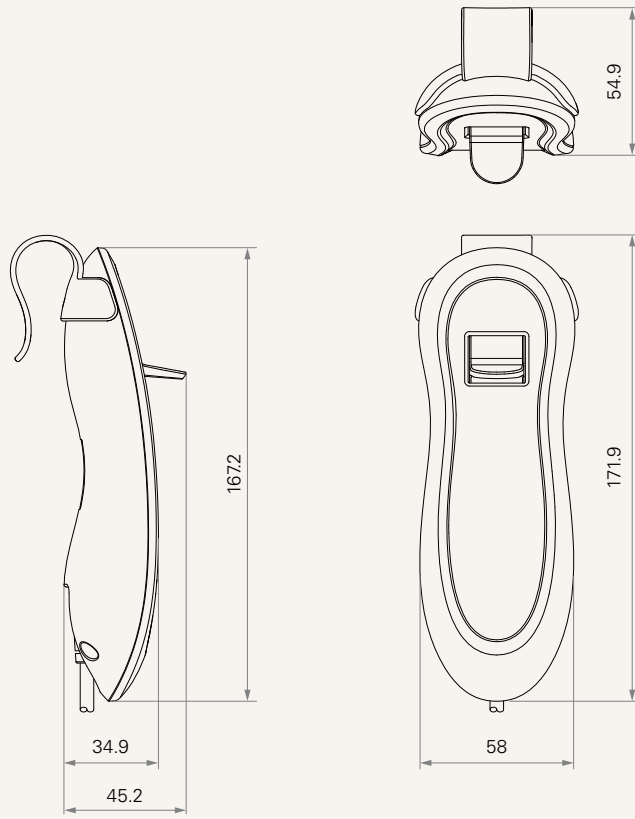
- **Comfort Motion**

General Features

Max. available buttons 1
Able to extend or retract the motor with a toggle switch
Straightforward control layout for simple operation

Drawing

Standard Dimensions
(mm)



TFH5

Version: 20161221-B

Back Light	0 = Without		
Number of Actuators	1 = 1	2 = 2	
Plug	1 = DIN 5P, for direct cut system TDC 2 = DIN 8P, for TC2 / TC3 / TC7	4 = DIN 8P, 180°, for extension cable	5 = RJ 10P, 180°, for TC6 / TC9 / extension cable
Color	1 = Black	2 = Grey (Pantone 428C)	3 = Upper case: Special Grey 1C; Lower case: Special Grey 6C
Cable Length (mm)	1 = Straight, 1500	2 = Straight, 2000	
Control Box Type	0 = Without MCU	1 = With MCU	

Terms of Use

The user is responsible for determining the suitability of TiMOTION products for a specific application. TiMOTION products are subject to change without prior notice.