

TFH6

series



Product Segments

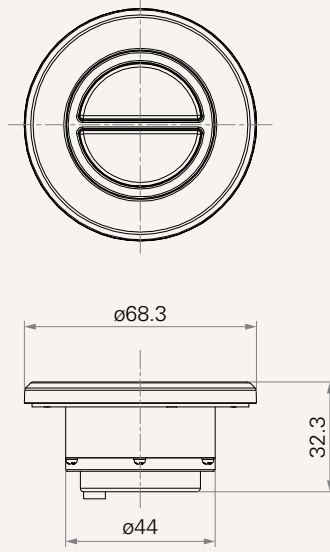
- **Comfort Motion**

General Features

Maximum available buttons 2
Metallic finish
Embedded into the recliner directly

Drawing

Standard Dimensions
(mm)



| | | |
|------------------------------|--|--|
| Plug | 1 = DIN 5P, for TDC 2 = DIN 8P, for TC2 / TC3 / TC7 4 = DIN 8P, 180°, for extension cable | 5 = RJ 10P, 180°, for TC6 / TC9 / extension cable Note: Please choose "switch type" or "scan type" then make a notification when place an order |
| Color of Bottom Cover | 1 = Black | |
| Top Cover Material | 1 = Steel with Zn plating (outer frame + buttons + inner frame) 2 = Steel with Zn plating and plastic with painting | |
| Cable Length (mm) | 1 = Straight, 1500 | 2 = Straight, 2000 |
| MCU | 0 = Without | |
| Control Box Type | 0 = Without MCU control box 1 = With MCU control box | |
| Communication Type | 1 = Direct Cut 2 = Switch type | 3 = Single-direction scan type 4 = Dual-direction scan type |
| IP Rating | 0 = Without | |

Terms of Use

The user is responsible for determining the suitability of TiMOTION products for a specific application. TiMOTION products are subject to change without prior notice.