

# TFS

series



---

## Product Segments

- **Care Motion**
- **Industrial Motion**

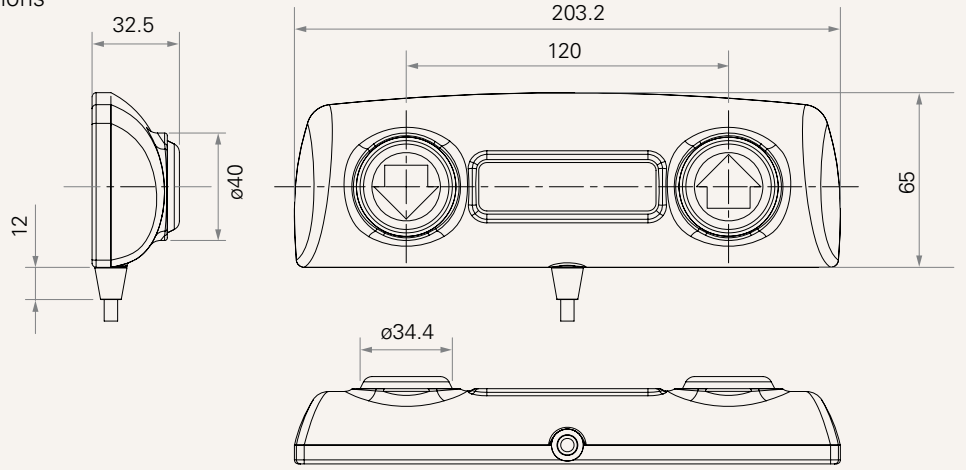
---

## General Features

- Anti-slipping paddle
- Compatible with all control boxes of TiMOTION

**Drawing**

Standard Dimensions  
(mm)



---

<b>Plug</b>	1 = DIN 8P, 90° 2 = RJ 10P, 90°	4 = DIN 8P, 180° 5 = Flat RJ 10P,180°	6 = Short DIN 5P, 90°
<b>Arrow Keys</b>	4 = Left-Up; Right-Down (black)		
<b>Color</b>	1 = Black	2 = Grey (Pantone 428C)	
<b>Cable Length (mm)</b>	1 = Straight, 1500	1 = Straight, 2000	

---

---

### Terms of Use

The user is responsible for determining the suitability of TiMOTION products for a specific application. TiMOTION products are subject to change without prior notice.