

TH1

series



Product Segments

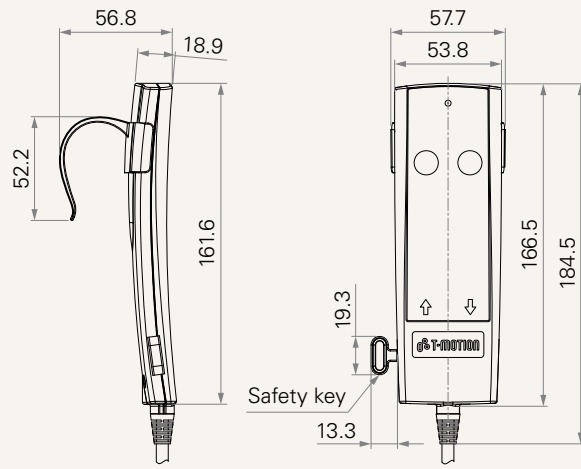
- **Care Motion**
- **Comfort Motion**

General Features

Connected actuators	1~4
Maximum available buttons	10
Color	Black or grey
IP rating	IP54 or IP66
Options	Safety key
Certificate	RoHS
LED indicator	

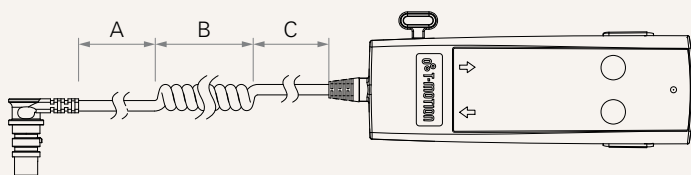
Drawing

Standard Dimensions
(mm)



Number of Actuators	1 = 1	2 = 2	3 = 3	4 = 4
Plug	1 = DIN 8P, for TC2 / TC3 / TC7 2 = RJ 10P, 90°, for TC1 / TC8 / TC10		4 = DIN 8P, 180°, for extension cable 5 = RJ 10P, 180°, for TC6 / TC9 / extension cable	
Color	1 = Black	2 = Grey (Pantone 428C)		
IP Rating	1 = Without	2 = IP54	3 = IP66	
Safety Lock	0 = Without	1 = With		
Hook Type	0 = None	1 = Standard	2 = Magnetic	
Key Definition	01-66 = 01-66 Note: please contact TiMOTION before making an order			
Cable Length (mm)	1-6 = 1-6 See page 4			

Cable Length



Cable Section (mm)

CODE	A	B	C
1	1000	300	200
2	1200	300	300
3	1400	300	400
4	2400	0	0
5	100	600	100
6	1000	200	200

Terms of Use

The user is responsible for determining the suitability of TiMOTION products for a specific application. TiMOTION products are subject to change without prior notice.