

TH12

series



Product Segments

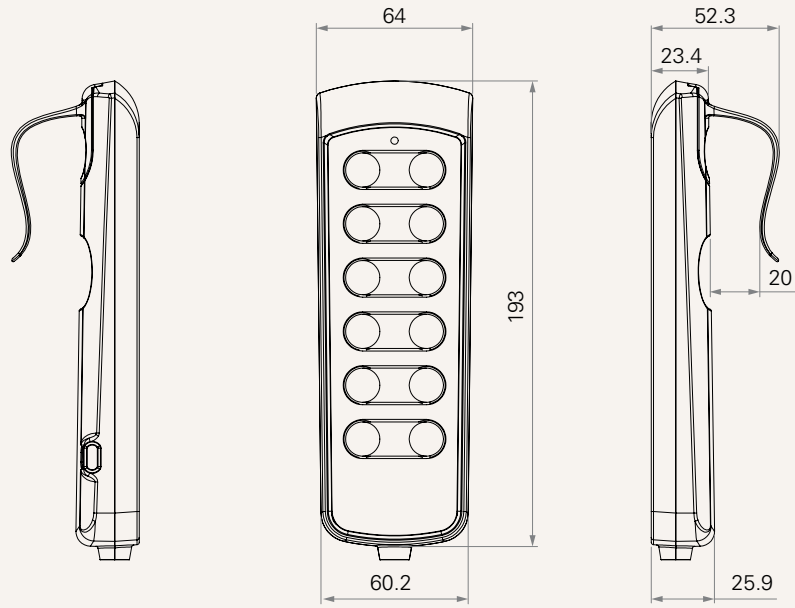
- **Care Motion**

General Features

Connected actuators	1~7
Maximum available buttons	12
Color	Black or grey
IP rating	Up to IP66
Options	Back light, safety key

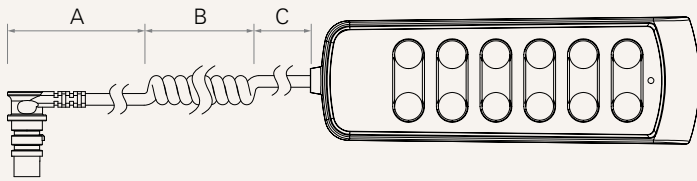
Drawing

Standard Dimensions
(mm)



Back Light	A = Without	B = With		
Number of Actuators	1 = 1 2 = 2	3 = 3 4 = 4	5 = 5 6 = 6	7 = 7
Plug	1 = DIN 8P, 90°	2 = RJ 10P, 90°	4 = DIN 8P, 180°	5 = RJ 10P, 180°
Color	1 = Black	2 = Grey (Pantone 428C)		
IP Rating	1 = Without	2 = IP54	3 = IP66	
Safety Key	0 = Without	1 = With		
Button Definition	01-47 = See appendix* Note: please contact TiMOTION before making an order			
Cable Length (mm)	1-6 = See page 4			
Hook Type	1 = Standard	2 = Rectangular hook (For 30*40 rod)		

Cable Length (mm)



Cable Section (mm)

CODE	A	B	C	(mm)
1	1000	300	200	Length=A+B+C
2	1200	300	300	
3	1400	300	400	
4	2400	0	0	
5	100	600	100	
6	1000	200	200	

Terms of Use

The user is responsible for determining the suitability of TiMOTION products for a specific application. TiMOTION products are subject to change without prior notice.