

TH16

series



Product Segments

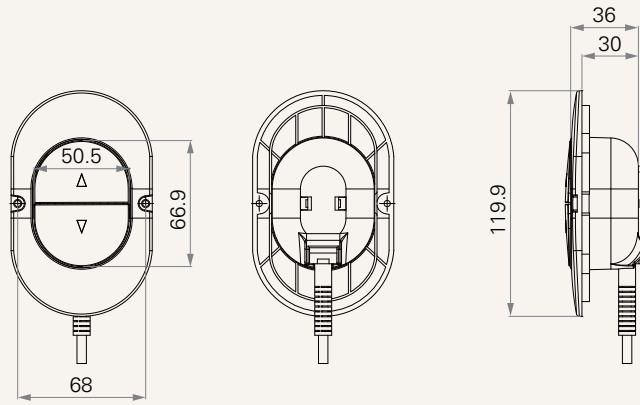
- **Comfort Motion**

General Features

Maximum available buttons	4
Color	Black or grey
Options	Back light
Mounted into the recliner directly	

Drawing

Standard Dimensions
(mm)



Back Light	0 = Without	1 = With		
Button Definition	2A = 2A	2B = 2B	4A = 4A	4B = 4B
Plug	1 = Long DIN 5P, 90° 2 = DIN 8P, 90°, for TC2 / TC3 / TC7		4 = DIN 8P, 180°, for extension cable 5 = RJ 10P, 180°, for TC6 / TC9 / extension cable	
Color	1 = Black	2 = Grey (Pantone 428C)		
Cable Length (mm)	1 = Straight, 1500	2 = Straight, 2000		

Terms of Use

The user is responsible for determining the suitability of TiMOTION products for a specific application. TiMOTION products are subject to change without prior notice.