

# TH21

series



---

## Product Segments

- **Care Motion**

---

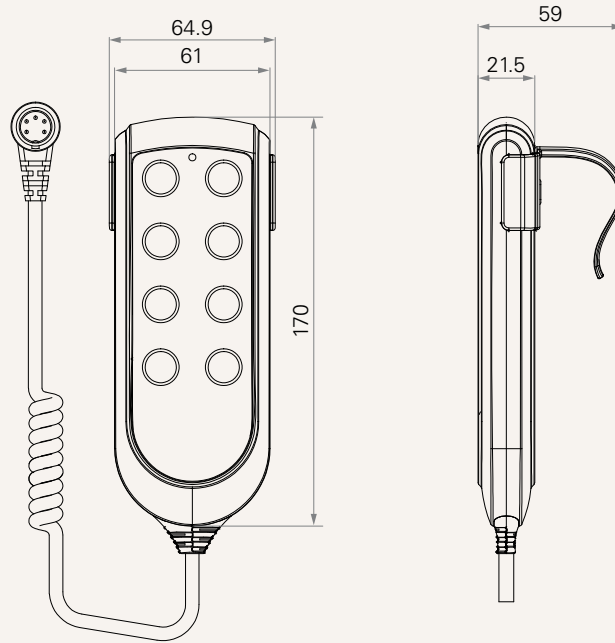
## General Features

|                           |               |
|---------------------------|---------------|
| Connected actuators       | 1~3           |
| Maximum available buttons | 8             |
| Color                     | Black or grey |
| IP rating                 | Up to IP66    |

# TH21 Series

## Drawing

Standard Dimensions  
(mm)

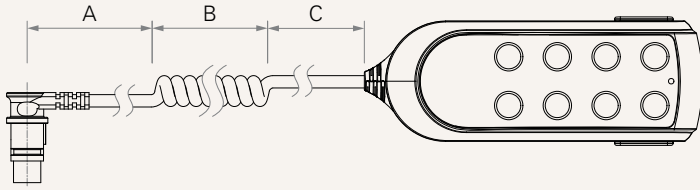


TH21

Version: 20181224-H

|                            |                                     |  |                                     |                  |
|----------------------------|-------------------------------------|--|-------------------------------------|------------------|
| <b>Number of Actuators</b> | 1 = 1                               | 2 = 2                                    | 3 = 3                               |                  |
| <b>Plug</b>                | 1 = DIN 5P, 90°<br>2 = DIN 5P, 180° | 3 = Short DIN 5P, 90°<br>5 = DIN 8P, 90° | 6 = DIN 8P, 180°<br>7 = RJ 10P, 90° | 8 = RJ 10P, 180° |
| <b>Color</b>               | 1 = Black                           | 2 = Grey (Pantone 428C)                  |                                     |                  |
| <b>IP Rating</b>           | 1 = Without                         | 2 = IP54                                 | 3 = IP66                            |                  |
| <b>Hook Type</b>           | 0 = Without                         | 1 = Standard                             |                                     |                  |
| <b>Button Definition</b>   | 01~45 = 01~45                       |  |                                     |                  |
| <b>Cable Length (mm)</b>   | 1~6 = 1~6                           |  |                                     |                  |

## Cable Length (mm)



## Cable Length (mm)

| CODE | A    | B   | C   |
|------|------|-----|-----|
| 1    | 1000 | 300 | 200 |
| 2    | 1200 | 300 | 300 |
| 3    | 1400 | 300 | 400 |
| 4    | 2400 | 0   | 0   |
| 5    | 100  | 600 | 100 |
| 6    | 1000 | 200 | 200 |

## Terms of Use

The user is responsible for determining the suitability of TiMOTION products for a specific application. TiMOTION products are subject to change without prior notice.