

TH37

series



Product Segments

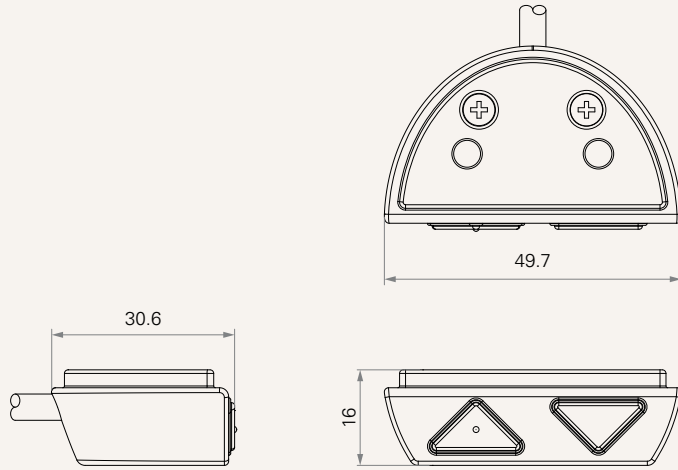
- **Ergo Motion**

General Features

Max. available buttons	2
Color	Color of plastic key: Black, grey, blue, deep grey
Simple control for height-adjustable desks	
Mounted to the desk front side	

Drawing

Standard Dimensions
(mm)



Connector	2 = DIN 8P, 90° 4 = DIN 8P, 180° 5 = RJ 10P, 180°	6 = RJ 10P flat, 180°, for Ergo TC 7 = RJ 10P flat, 90°, for TC22		
Case Color	1 = Black	2 = Pantone 428C		
Color of Plastic Key	1 = Black	2 = Pantone 428C	3 = Blue (Pantone 5405C)	4 = Deep grey (Pantone 432C)
Cable Length (mm)	1 = Straight, 1000	2 = Straight, 1500		

Terms of Use

The user is responsible for determining the suitability of TiMOTION products for a specific application. TiMOTION products are subject to change without prior notice.