

# TH6

series



## Product Segments

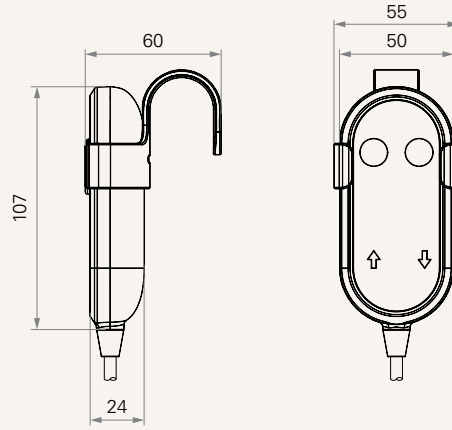
- **Comfort Motion**

## General Features

Number of motors	1~2
Max. available buttons	4
Color	Black, grey
Hook, safety key	

**Drawing**

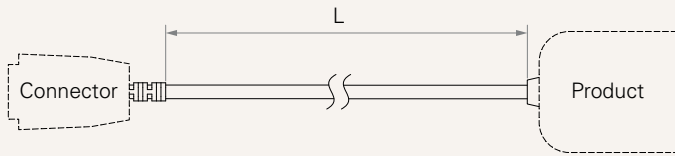
Standard Dimensions  
(mm)



<b>Number of Actuators</b>	1 = 1	2 = 2
<b>Plug</b>	1 = DIN 5P, for TDC 2 = DIN 8P, for TC2 / TC3 / TC7 3 = Short DIN 5P, 90°, for direct cut system	4 = DIN 8P, 180°, for extension cable 5 = RJ 10P, 180°, for TC6 / TC9 / extension cable
<b>Color</b>	1 = Black	2 = Pantone 428C
<b>Safety Key</b>	0 = Without	1 = With
<b>Key Definition</b>	01~12 = 01~12 Note: please contact TiMOTION before making an order	
<b>Cable Length (mm)</b> <a href="#">See page 4</a>	2 = Straight, 1500	7 = Curly, A:1000; B:200; C:200
<b>MCU</b>	0 = Without	
<b>Control Box Type</b>	0 = Without MCU control box	1 = With MCU control box
<b>Communication Type</b>	1 = Direct Cut 2 = Switch type	3 = Single-direction scan type 4 = Duel-direction scan type
<b>Hook Type</b>	0 = Without	1 = Standard

## Cable Length

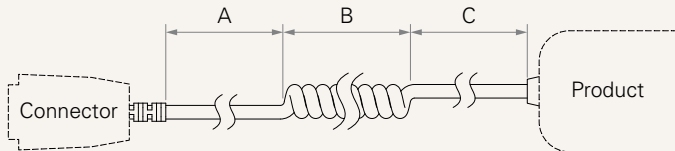
CODE2



### Cable Section (mm)

CODE	Length (mm)
2	Straight, L = 1500
7	Coiled, A = 1000, B = 200, C = 200

CODE7



## Terms of Use

The user is responsible for determining the suitability of TiMOTION products for a specific application. TiMOTION products are subject to change without prior notice.