

TNP3

series



Product Segments

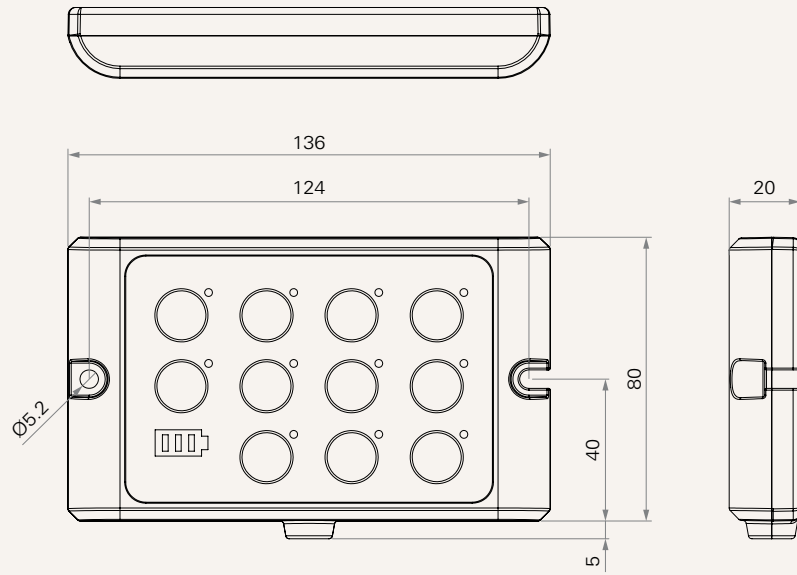
- **Care Motion**

General Features

Max. available buttons	11
Color	Black, grey
IP rating	IP66
Control up to 7 channels in connection with TC8	
Can be used as lock-out box	

Drawing

Standard Dimensions
(mm)

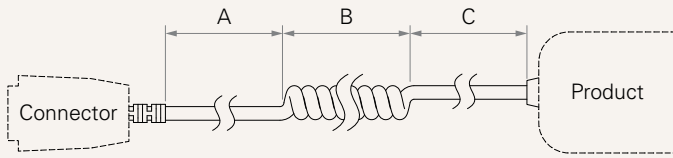


TNP3

Version: 20130510-D

Plug	1 = DIN 8P, 90°, for TC2 / TC3 2 = RJ 10P, 90° for TC1 / TC8 4 = DIN 8P, 180°, for extension cable	5 = RJ 10P, 180°, for TC6 / TC9 / extension cable A = Customized	
Color	1 = Black	2 = Pantone 428C	
IP Rating	1 = Without	2 = IP54	3 = IP66
Key Definition	A = Customized		
Cable Length (mm)	1~6 = See appendix, See page 4	A = Customized	

Cable Length



Cable Section (mm)			
CODE	A	B	C
1	1000	300	200
2	1200	300	300
3	1400	300	400
4	2400	0	0
5	0	600	0
6	1000	200	200
A	Customized length		

Terms of Use

The user is responsible for determining the suitability of TiMOTION products for a specific application. TiMOTION products are subject to change without prior notice.