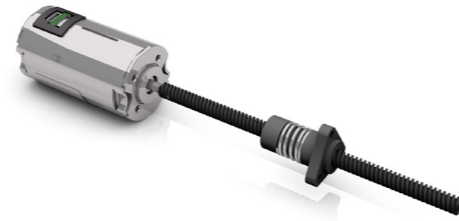


- » Linear spindle motor
 - » With brush and brushless DC motors
 - » With or w/o anti-backlash nut
 - » Maintenance free
 - » Coated stainless steel spindle
 - » Slide screw
 - » High efficiency
- » Linearer Spindelmotor
 - » Mit bürstenbehafteten und bürstenlosen DC-Motoren
 - » Mit oder ohne spielarmem Mutternsystem
 - » Wartungsfrei
 - » Beschichtete Edelstahlspindel
 - » Gleitspindel
 - » Hoher Wirkungsgrad



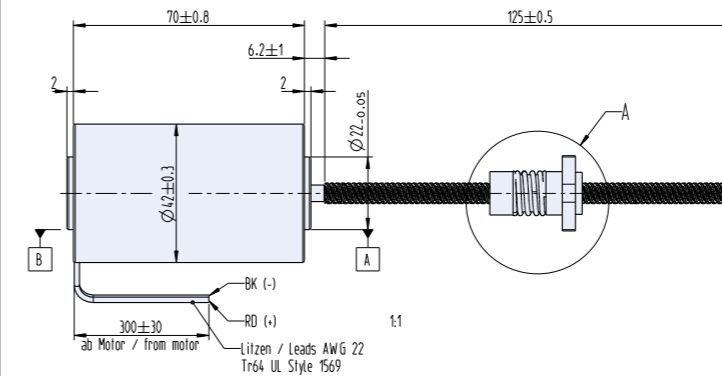
| | | | | | | | | | |
|-----------------|---------------------------|---------------------|---------------------------------|----------------------|------------------|-------------------------|---------------|---------------|----------------|
| | | | | | | | | | |
| IO Mode | CANopen version available | Service interface | Force mode | Precise positioning | Maintenance free | High efficiency | High dynamic | Food grade | Digital inputs |
| | | | | | | | | | |
| Digital outputs | Analog inputs | Feedback integrated | Oscilloscope software available | Condition monitoring | Programmable | Supply voltage versions | Certification | Certification | |

| Data/ Technische Daten | | LSM 06 | |
|---|------|-------------------------|-------------------------|
| Motor type/ Motortyp | | GR 42x25 | BG 32x20 |
| Nominal voltage/ Nennspannung | VDC | 24 | 24 |
| Nominal current/ Nennstrom | A | 0.9 | 1.13 |
| Nominal force/ Nennkraft | N | 34 | 39 |
| Nominal speed/ Nenngeschwindigkeit | mm/s | 300 | 300 |
| Permissible peak current/ Zulässiger Spitzenstrom | A | 4.0 / 1.3 ¹⁾ | 5.0 / 1.3 ¹⁾ |
| Peak force/ Spitzenkraft | N | 181 / 45 ¹⁾ | 200 / 45 ¹⁾ |
| Max. stroke/ Max. Hub | mm | 93/90 ¹⁾ | |

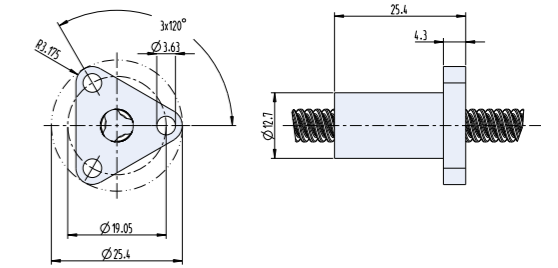
¹⁾ Anti-backlash nut/ Spielarmes Mutternsystem

Dimensions/ Maßzeichnung

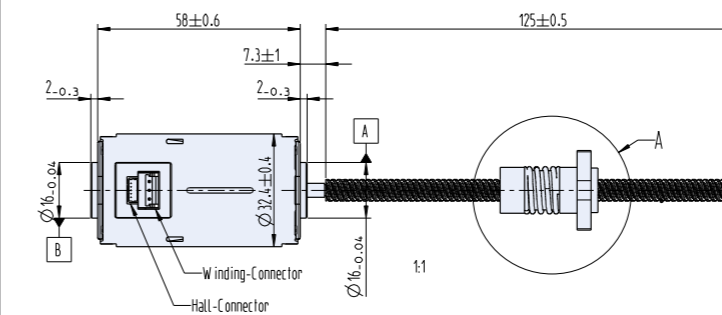
LSM 06 | GR 42x25



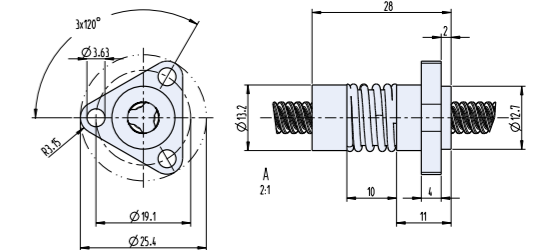
Standard nut/ Standard Mutter



LSM 06 | BG 32x20

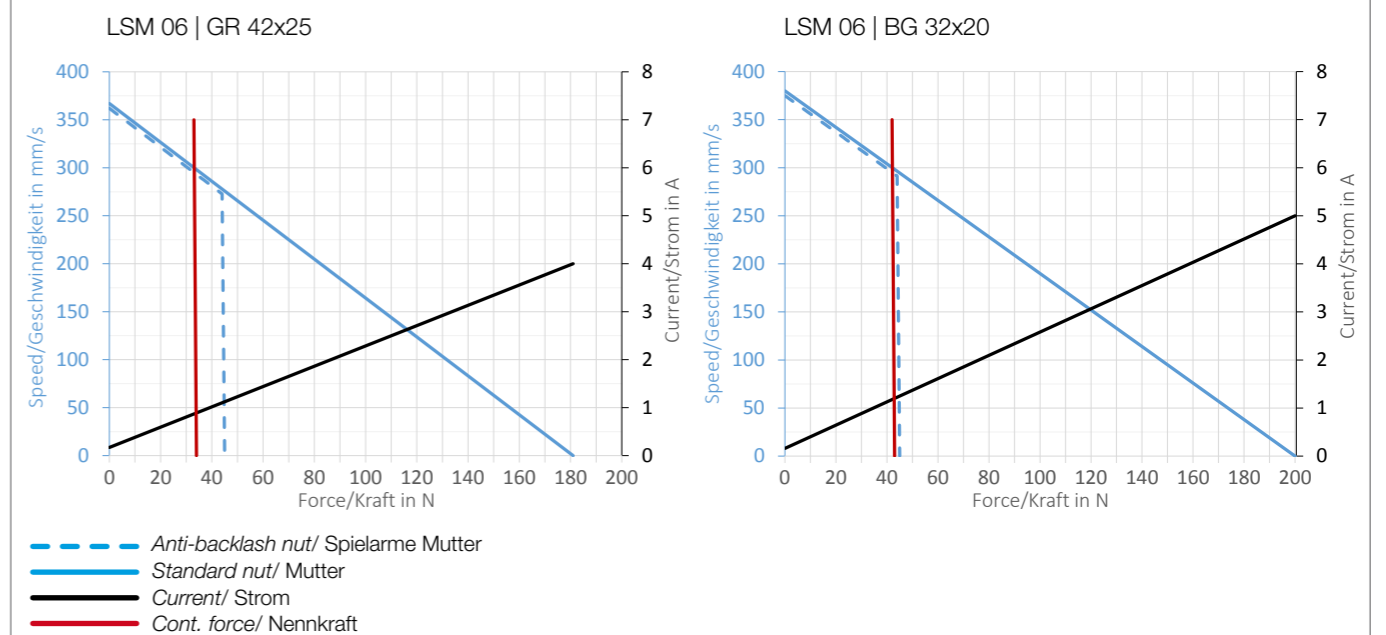


Anti-backlash nut/ Spielarme Mutter



| | | GR 42x25 | BG 32x20 |
|---|----|----------|----------|
| Spindle pitch/ Spindelsteigung | mm | 5 | 5 |
| Spindle efficiency/ Spindelwirkungsgrad | % | 72 | 72 |

Characteristic diagram/ Belastungskennlinien @25°C





- » Linear spindle motor
- » With brush and brushless DC motors
- » With or w/o anti backlash nut
- » Maintenance free
- » Coated stainless steel spindle | Slide screw
- » High efficiency

- » Linearer Spindelmotor
- » Mit bürstenbehafteten und bürstenlosen DC-Motoren
- » Mit oder ohne spielarmem Mutternsystem
- » Wartungsfrei
- » Beschichtete Edelstahlspindel | Gleitspindel
- » Hoher Wirkungsgrad

| | | | | | | | | | |
|-----------------|---------------------------|---------------------|---------------------------------|----------------------|------------------|-------------------------|---------------|---------------|----------------|
| | | | | | | | | | |
| IO mode | CANopen version available | Service interface | Force mode | Precise positioning | Maintenance free | High efficiency | High dynamic | Food grade | Digital inputs |
| | | | | | | | | | |
| Digital outputs | Analog inputs | Feedback integrated | Oscilloscope software available | Condition monitoring | Programmable | Supply voltage versions | Certification | Certification | |

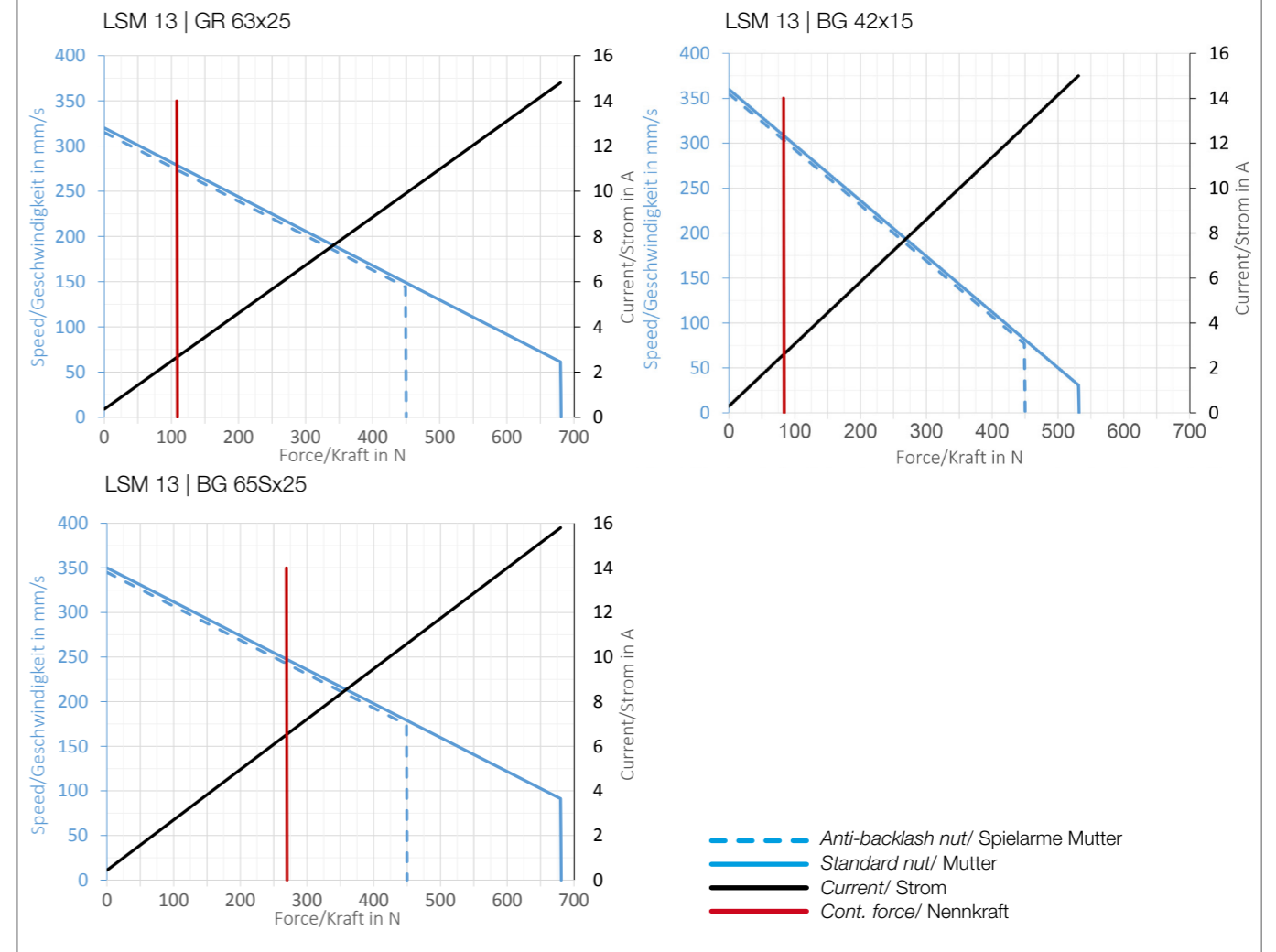
| Data/ Technische Daten | | LSM 13 | | |
|---|------|--------------------------|---------------------------|---------------------------|
| Motor type/ Motortyp | | GR 63x25 | BG 42x15 | BG 65Sx25 |
| Nominal voltage/ Nennspannung | VDC | 24 | 24 | 24 |
| Nominal current/ Nennstrom | A | 2.7 | 2.24 | 6.02 |
| Nominal force/ Nennkraft | N | 102 | 84 | 324 |
| Nominal speed/ Nenngeschwindigkeit | mm/s | 275 | 300 | 250 |
| Permissible peak current/ Zulässiger Spitzenstrom | A | 14.8 / 9.8 ^{*)} | 15.0 / 12.7 ^{*)} | 16.3 / 10.5 ^{*)} |
| Peak force/ Spitzenkraft | N | 680 / 450 ^{*)} | 530 / 450 ^{*)} | 680 / 450 ^{*)} |
| Max. stroke/ Max. Hub | mm | 150 / 134 ^{*)} | | |

*) Anti backlash nut/ Spielarmes Mutternsystem

Dimensions/ Maßzeichnung

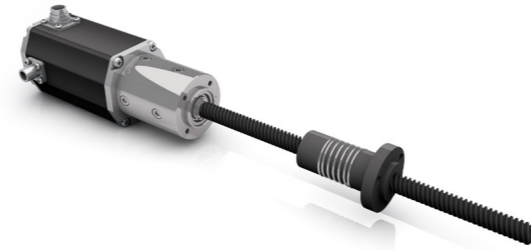
| | GR 63x25 | BG 42x15 | BG 65Sx25 | |
|---|----------|----------|-----------|----|
| Spindle pitch/ Spindelsteigung | mm | 5 | | |
| Spindle efficiency/ Spindelwirkungsgrad | % | 62 | | |
| Motor length/ Motorlänge L | mm | 95 | 65 | 90 |
| Motor Ø/ Motor Ø | mm | 63 | 42 | 65 |

Characteristic diagram/ Belastungskennlinien @25°C



- » Linear spindle gearbox motor
- » With brush and brushless DC motors
- » With or w/o anti backlash nut
- » Maintenance free
- » Coated stainless steel spindle
- » Slide screw
- » High efficiency
- » Easy configuration of max. 14 positions (PI motor)
- » Several BUS interfaces available

- » Linearer Spindeltriebemotor
- » Mit bürstenbehafteten und bürstenlosen DC-Motoren
- » Mit oder ohne spielarmem Mutternsystem
- » Wartungsfrei
- » Beschichtete Edelstahlspindel
- » Gleispindel
- » Hoher Wirkungsgrad
- » Einfache Konfiguration von bis zu 14 Positionen (PI Motor)
- » Verschiedene BUS-Schnittstellen verfügbar



IO mode

CANopen version available

Service interface

Force mode

Precise positioning

Maintenance free

Digital inputs

Digital outputs

Analog inputs

Feedback integrated

Oscilloscope software available

Condition monitoring

Programmable

Supply voltage versions

Certification

Certification

| Data/ Technische Daten | LSG 13 PLG 52 | | | | |
|---|---|---------------------------|---------------------------|---------------------------|---------------------------|
| Motor type/ Motortyp | GR 42x25 | BG 42x15 | BG 45x15 PI | GR 63x25 | BG 65x25 PI |
| Nominal voltage/ Nennspannung | VDC 24 | | | | |
| Nominal current/ Nennstrom | A 0.9 | A 2.2 | A 3.1 | A 2.7 | A 3.6 |
| Gearbox reduction/ Getriebeuntersetzung | i 6.25 | | | | |
| Transmission efficiency/ Getriebewirkungsgrad | % 90 | | | | |
| Nominal force/ Nennkraft | N 109 | N 290 | N 451 | N 376 | N 457 |
| Nominal speed/ Nenngeschwindigkeit | mm/s 91 | mm/s 97 | mm/s 87 | mm/s 85 | mm/s 79 |
| Permissible peak current/ Zulässiger Spitzenstrom | A 4.0 / 3.3 ^{*)} | A 4.9 / 3.3 ^{*)} | A 5.0 / 3.1 ^{*)} | A 4.9 / 3.3 ^{*)} | A 5.0 / 3.5 ^{*)} |
| Peak force/ Spitzenkraft | N 537 / 450 ^{*)} 680 / 450 ^{*)} | | | | |
| Max. stroke/ Max. Hub | mm 150 / 134 ^{*)} | | | | |

^{*)} Anti backlash nut/ Spielarmes Mutternsystem

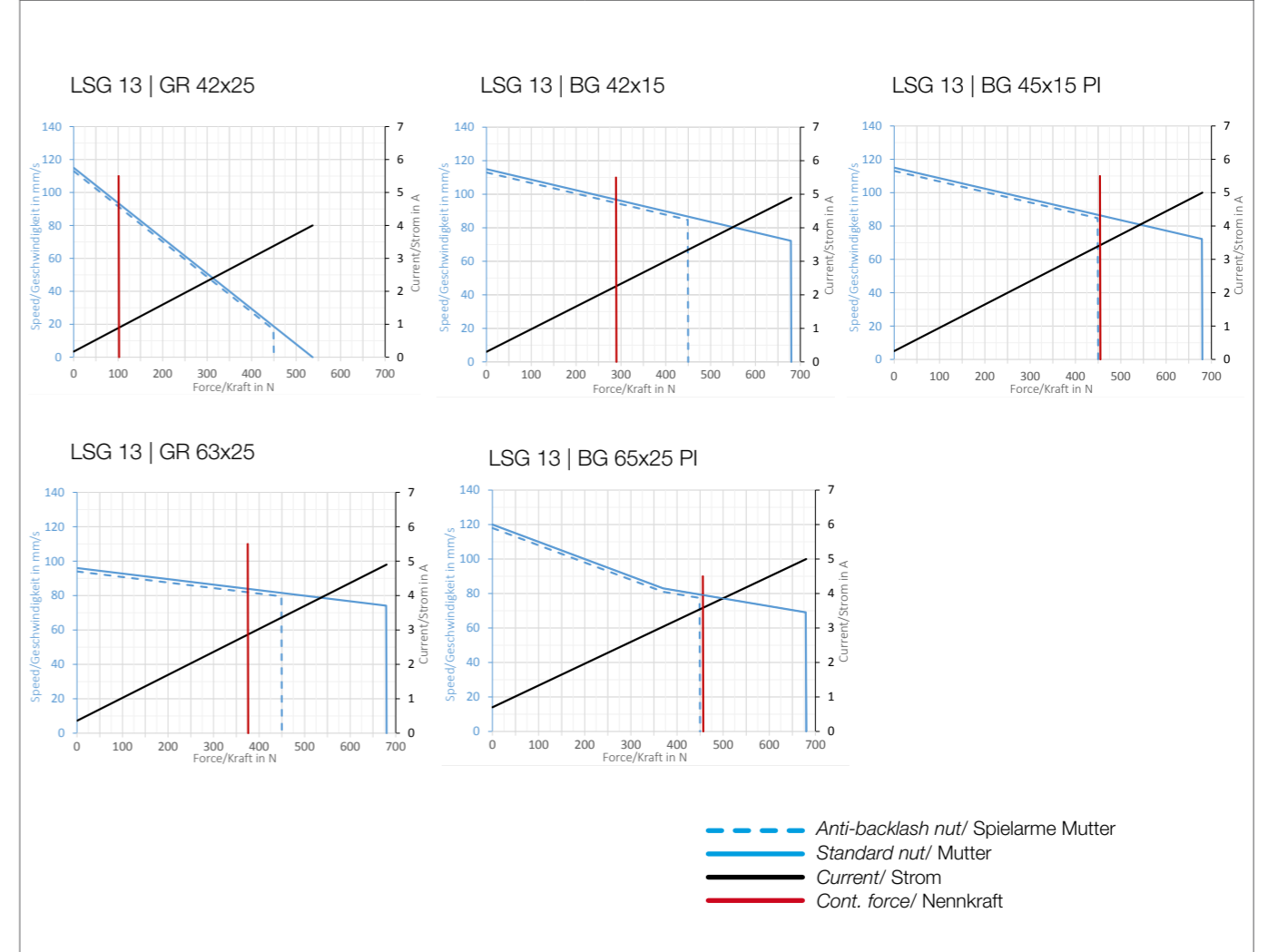
Dimensions/ Maßzeichnung

Standard nut/ Standard Mutter

Anti-backlash nut/ Spielarme Mutter

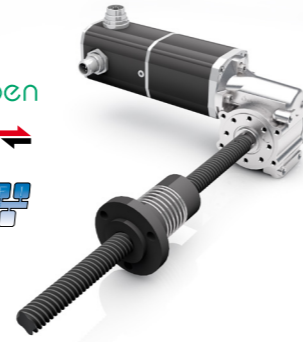
| | GR 42x25 | BG 42x15 | BG 45x15 PI | GR 63x25 | BG 65x25 PI |
|---|----------|----------|-------------|----------|-------------|
| Spindle pitch/ Spindelsteigung | mm 10 | | | | |
| Spindle efficiency/ Spindelwirkungsgrad | % 76 | | | | |
| Spindle Ø/ Spindel Ø | mm 13 | | | | |
| Motor length/ Motorlänge L | mm 70 | mm 65 | mm 120 | mm 95 | mm 160 |
| Motor Ø/ Motor Ø | mm 42 | mm 42 | mm 45 | mm 63 | mm 65 |

Characteristic diagram/ Belastungskennlinien @25°C



- » Linear spindle gearbox motor
- » With brush and brushless DC motors
- » With or w/o anti backlash nut
- » Maintenance free
- » Coated stainless steel spindle
- » Slide screw
- » High efficiency
- » Easy configuration of max. 14 positions (PI motor)
- » Several BUS interfaces available

- » Linearer Spindelgetriebemotor
- » Mit bürstenbehafteten und bürstenlosen DC-Motoren
- » Mit oder ohne spielarmem Mutternsystem
- » Wartungsfrei
- » Beschichtete Edelstahlspindel
- » Gleispindel
- » Hoher Wirkungsgrad
- » Einfache Konfiguration von bis zu 14 Positionen (PI Motor)
- » Verschiedene BUS-Schnittstellen verfügbar

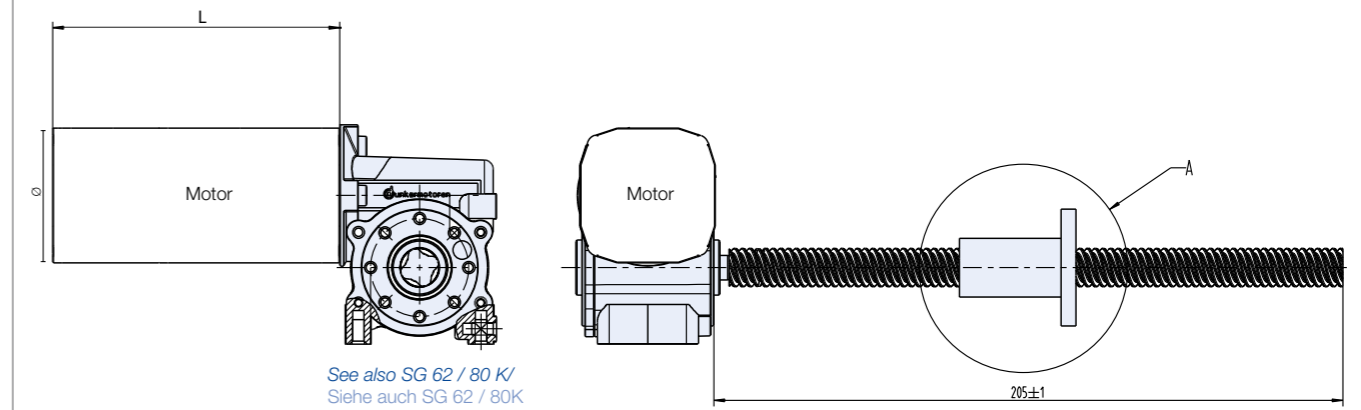


| | | | | | | | | | |
|---------------|---------------------------|---------------------------------|----------------------|---------------------|-------------------------|---------------|-------------------------------|----------------|-----------------|
| | | | | | | | | | |
| IO mode | CANopen version available | Service interface | Force mode | Precise positioning | Maintenance free | Low noise | Self-locking ratios available | Digital inputs | Digital outputs |
| | | | | | | | | | |
| Analog inputs | Feedback integrated | Oscilloscope software available | Condition monitoring | Programmable | Supply voltage versions | Certification | Certification | | |

| Data/ Technische Daten | LSG 13 SG 62 | | | LSG 13 SG 80K | |
|---|----------------------------|---------------------------|---------------------------|---------------------------|---------------------------|
| Motor type/ Motortyp | GR 42x40 | BG 42x15 | BG 45x15 PI | GR 63x25 | BG 65x25 PI |
| Nominal voltage/ Nennspannung | VDC 24 | | | | |
| Nominal current/ Nennstrom | A 1.2 | A 2.2 | A 3.1 | A 2.7 / 2.4 ^{*)} | A 4.0 / 3.0 ^{*)} |
| Gearbox reduction/ Getriebeuntersetzung | i 8 | | | i 10 | |
| Transmission efficiency/ Getriebewirkungsgrad | % 60 | | | % 80 | |
| Nominal force/ Nennkraft | N 131 | N 248 | N 385 | N 535 / 450 ^{*)} | N 650 / 450 ^{*)} |
| Nominal speed/ Nenngeschwindigkeit | mm/s 65 | mm/s 75 | mm/s 68 | mm/s 53 | mm/s 50 |
| Permissible peak current/ Zulässiger Spitzenstrom | A 5.2 / 3.5 ^{*)} | A 5.4 / 3.7 ^{*)} | A 5.4 / 3.7 ^{*)} | A 3.4 / 2.4 ^{*)} | A 4.2 / 3.0 ^{*)} |
| Peak force/ Spitzenkraft | N 680 / 450 ^{*)} | | | | |
| Max. stroke/ Max. Hub | mm 150 / 134 ^{*)} | | | | |

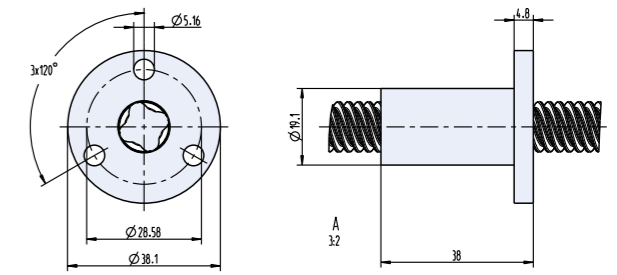
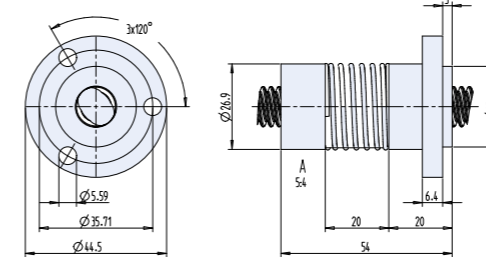
*) Anti backlash nut/ Spielarmes Mutternsystem

Dimensions/ Maßzeichnung



See also SG 62 / 80 K/ Siehe auch SG 62 / 80K

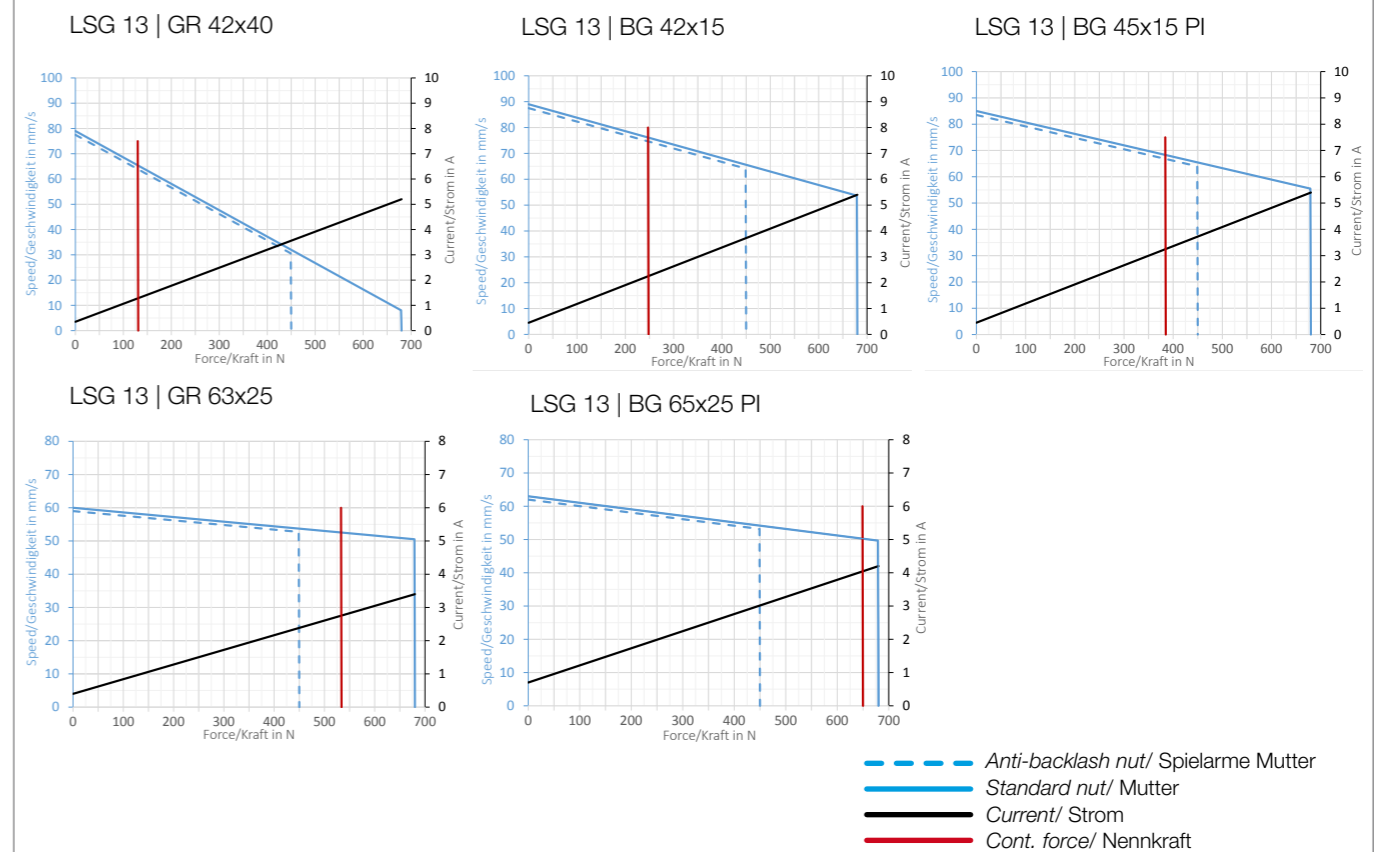
Anti-backlash nut/ Spielarme Mutter



Standard nut/ Standard Mutter

| | GR 42x40 | BG 42x15 | BG 45x15 PI | GR 63x25 | BG 65x25 PI |
|---|----------|----------|-------------|----------|-------------|
| Spindle pitch/ Spindelsteigung | mm 10 | mm 10 | mm 10 | mm 10 | mm 10 |
| Spindle efficiency/ Spindelwirkungsgrad | % 76 | | | | |
| Motor length/ Motorlänge L | mm 85 | mm 65 | mm 120 | mm 95 | mm 160 |
| Motor Ø/ Motor Ø | mm 42 | mm 42 | mm 45 | mm 63 | mm 65 |

Characteristic diagram/ Belastungskennlinien @25°C



--- Anti-backlash nut/ Spielarme Mutter
--- Standard nut/ Mutter
--- Current/ Strom
--- Cont. force/ Nennkraft

- » Linear axis with strokes up to 1000 mm
 - » With brushless DC servomotor BG 45x15
 - » Slide with wear compensation
 - » Maintenance free
 - » Universal mounting position
 - » Compact and space saving
 - » Easy configuration of max. 14 positions (PI motor)
 - » Several BUS interfaces available
- » Linearachse mit Hube von bis zu 1000 mm
 - » Mit bürstenlosem DC-Servomotor BG 45x15
 - » Gleitführung mit Verschleißkompensation
 - » Wartungsfrei
 - » Universelle Anbaulage
 - » Kompakt und platzsparend
 - » Einfache Konfiguration von bis zu 14 Positionen (PI Motor)
 - » Verschiedene BUS-Schnittstellen verfügbar



| | | | | | | | | | |
|-----------------|---------------------------|---------------------|---------------------------------|----------------------|------------------|-------------------------|---------------|---------------|----------------|
| | | | | | | | | | |
| IO mode | CANopen version available | Service interface | Force mode | Precise positioning | Maintenance free | High efficiency | High dynamic | Food grade | Digital inputs |
| | | | | | | | | | |
| Digital outputs | Analog inputs | Feedback integrated | Oscilloscope software available | Condition monitoring | Programmable | Supply voltage versions | Certification | Certification | |

| Data/ Technische Daten | | LPA 08 |
|--|------|------------------------------|
| Motor type/ Motortyp | | BG 45x15 PI |
| Nominal voltage/ Nennspannung | VDC | 24 |
| Nominal current/ Nennstrom | A | 3.1 |
| Spindle pitch/ Spindelsteigung | mm | 5 |
| Nominal load*/ Nennlast* | kg | 5 |
| Nominal speed/ Nenngeschwindigkeit | mm/s | 270 |
| Permissible peak current/ Zulässiger Spitzenstrom (2 sec.) | A | 15 |
| Peak load/ Spitzenlast | kg | 22 |
| Repeatability/ Wiederholgenauigkeit | mm | +/- 0.02 |
| Stroke length/ Hublängen | mm | 200 / 400 / 600 / 800 / 1000 |

*) Horizontal/ Horizontal

Dimensions/ Maßzeichnung

| Stroke/ Hub | mm | 200 | 400 | 600 | 800 | 1000 |
|-----------------------------------|----|-------|------------|------------|------------|------------|
| Length/ Länge L | mm | 270 | 470 | 670 | 870 | 1070 |
| Number of holes/ Anzahl Bohrungen | - | 6 | 8 | 10 | 10 | 10 |
| Hole distance/ Bohrungsabstand A | mm | 68.2 | 46.7 | 25.1 | 225.1 | 271.8 |
| Contact spacing/ Folgeabstand B | mm | 221.5 | 221.5 (2x) | 221.5 (3x) | 221.5 (3x) | 272.6 (3x) |

Characteristic diagram/ Belastungskennlinien @25°C

