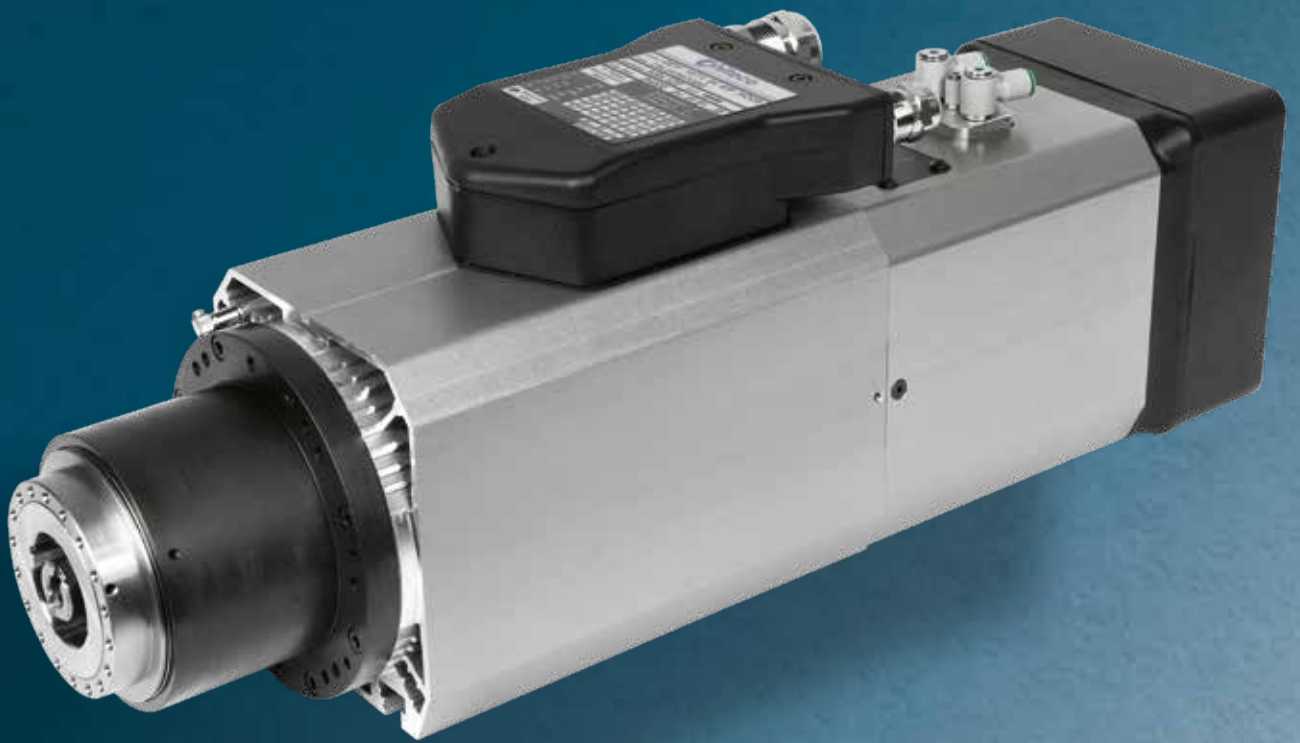


elettromandrini
electrospindles



HITECO
HIGH TECHNOLOGY COMPONENTS

elettromandrini
electrospindles



HITECO
HIGH TECHNOLOGY COMPONENTS

HITECO
HIGH TECHNOLOGY COMPONENTS

**change your head
to be ahead**





p.8 POWERTECH 200

HIGH SPEED
AIR COOLING

- p.10 QD-1F 4/12 24 I30 NC CB
- p.12 QD-1F 4/12 24 63F NC CB



p.14 POWERTECH 250

HIGH SPEED
LIQUID COOLING

- p.16 QD-2 8/12 36 40E NL CC
- p.18 QD-2 8/12 40 32E NL CC
- p.20 QD-2 8/12 36 40E NL SC
- p.22 QD-2 8/12 40 32E NL SC



p.24 POWERTECH 300/400

HIGH SPEED
AIR COOLING

- p.26 QE-1F 6.6/12 24 I30 NC CB
- p.28 QE-1F 6.6/12 24 63F NC CB
- p.30 QE-1F 8/12 24 I30 NC CB
- p.32 QE-1F 8/12 24 63F NC CB
- p.34 QE-1F 8.5/12 24 63F NC CB
- p.36 QE-1F 10/11 24 I30 NC CB
- p.38 QE-1F 10/11 24 63F NC CB
- p.40 QE-1F 12/12 24 63F NC CB

LIQUID COOLING

- p.42 QE-1F 13/12 24 63F NC CB
- p.44 QE-1F 16/12 24 63F NC CB

HIGH TORQUE
AIR COOLING

- p.46 QE-1F 5.5/6 20 I30 NC CB
- p.48 QE-1F 5.5/6 20 63F NC CB
- p.50 QE-1F 7.5/6 24 I30 NC CB
- p.52 QE-1F 7.5/6 24 63F NC CB
- p.54 QE-1F 8.5/6 24 I30 NC CB
- p.56 QE-1F 8.5/6 24 63F NC CB

LIQUID COOLING

- p.58 QE-2 9/6 24 63F NC CB
- p.60 QE-2 11/6 24 63F NC CB



p.62 POWERTECH 500

HIGH SPEED
AIR COOLING

- p.64 QF-1F 11/12 20 63F NL PP

LIQUID COOLING

- p.66 QF-2 18/12 20 63F NL PP
- p.68 QF-2 18/12 20 63E NL PP

HIGH TORQUE
AIR COOLING

- p.70 QF-1F 8/9 18 63F NL PP
- p.72 QF-1F 13/7 15 63F NL PP

LIQUID COOLING

- p.74 QF-2 12/6 18 63F NL PP
- p.76 QF-2 12/6 18 63E NL PP



p.78 POWERTECH 600

HIGH TORQUE
AIR COOLING

- p.80 QM-1F 11/6 10 80F NC PP
- p.82 QM-1F 18/6 12 80F NC PP



p.84 ROBOTECH

**HIGH SPEED
LIQUID COOLING**

- p.86 QX-2 8.5/12 24 63F NC SC
- p.88 QX-2 10/12 24 63F NC SC
- p.90 QX-2 11/12 24 63F NC SC
- p.92 PX-2 12/12 24 63F NC SC
- p.94 PX-2 15/12 24 63F NC SC
- p.96 PX-2 18/12 24 63F NC SC
- p.98 PX-2 20/10 24 63A NC SC (SYNC)
- p.100 HX-2 12/12 24 63F NC SC
- p.102 HX-2 15/12 24 63F NC SC
- p.104 HX-2 18/12 24 63F NC SC
- p.106 HX-2 20/10 24 63A NC SC (SYNC)
- p.108 HX-2 12/12 24 63F NC 3AXIS CC
- p.110 HX-2 15/12 24 63F NC 3AXIS CC
- p.112 HX-2 18/12 24 63F NC 3AXIS CC
- p.114 HX-2 20/10 24 63A NC 3AXIS CC (SYNC)

**HIGH TORQUE
LIQUID COOLING**

- p.116 PX-2 10/7 24 63F NC SC
- p.118 HX-2 10/7 24 63F NC SC
- p.120 HX-2 10/7 24 63F NC 3AXIS CC
- p.122 QT-2 13/6 16 63E NC SC
- p.124 QT-2 25/7 16 63NC SC ES (SYNC)
- p.126 QM-2 30/6 13 80F NC PP



p.128 CUSTOMTECH

LIQUID COOLING

- p.130 HD-2 5.6/18 20 50F
- p.132 KX-2 32/4.5 24 63A ES SYNCHRONOUS
- p.134 ML-2 9/12 24 ER40 DX



p.136 MULTITECH

**WITH ER
AIR COOLING (ELECTROFAN)**

- p.138 QN-1F 4.5/18 18 ER32DX
- p.140 QN-1F 6/18 18 ER32DX
- p.142 QN-1F 4.5/18 24 ER32DX
- p.144 QN-1F 6/18 24 ER32DX

**WITH ER
AIR COOLING (COMPRESSED AIR)**

- p.146 QN-1C 4.5/18 18 ER32DX
- p.148 QN-1C 6/18 18 ER32DX
- p.150 QN-1C 4.5/18 24 ER32DX
- p.152 QN-1C 6/18 24 ER32DX

**WITH SHAFT
AIR COOLING (FAN ON THE SHAFT)**

- p.154 MQH1 8/6 9 D40 L93 RS
- p.156 MQH1 13/6 9 D40 L93 RS



p.158 ADDITIONAL EQUIPMENT

- p.160 C-AXIS
- p.160 REFERENCE SLEEVE
- p.161 TOOL HOLDER
- p.161 TOOL FINGER
- p.161 HEAT EXCHANGER

ELECTROSPINDLE IDENTIFICATION KEY

Example **QD-2 8 / 12 40 32E NL CC EN**

Model	Cooling Type	Rated Power (S1)	Max Speed	Tool Interface	Nose onfiguration	Electrical Connection type	Voltage	Encoder type (If required)
QD	2	8 / 12	40	32E	NL	CC	-	EN
Model identification	1= Air by fan on the shaft 1F= Air by electrofan 2= Liquid by heat exchanger	8 (kW) Power @ 12 x 1000 (RPM) Speed	Max Speed x 1000 (RPM)	Tool interface type (HSK or ISO)	Nose type	CB = Basic Connection CC = Circular Connectors PP = Plug & Play Connection (only for PT500 - PT600 and Robotech) SC = without connection (only for Robotech)	BT = Dual Voltage (220 - 380 V) Important Note: if not specified, Electrospindle is mono-voltage (380 V)	EN = Encoder TTL ES = Encoder 1Vpp

Hiteco si riserva il diritto di apportare migliorie sulle tecnologie e i modelli presentati nel catalogo
Hiteco reserves the right to make improvements to the technologies and models presented in the catalog



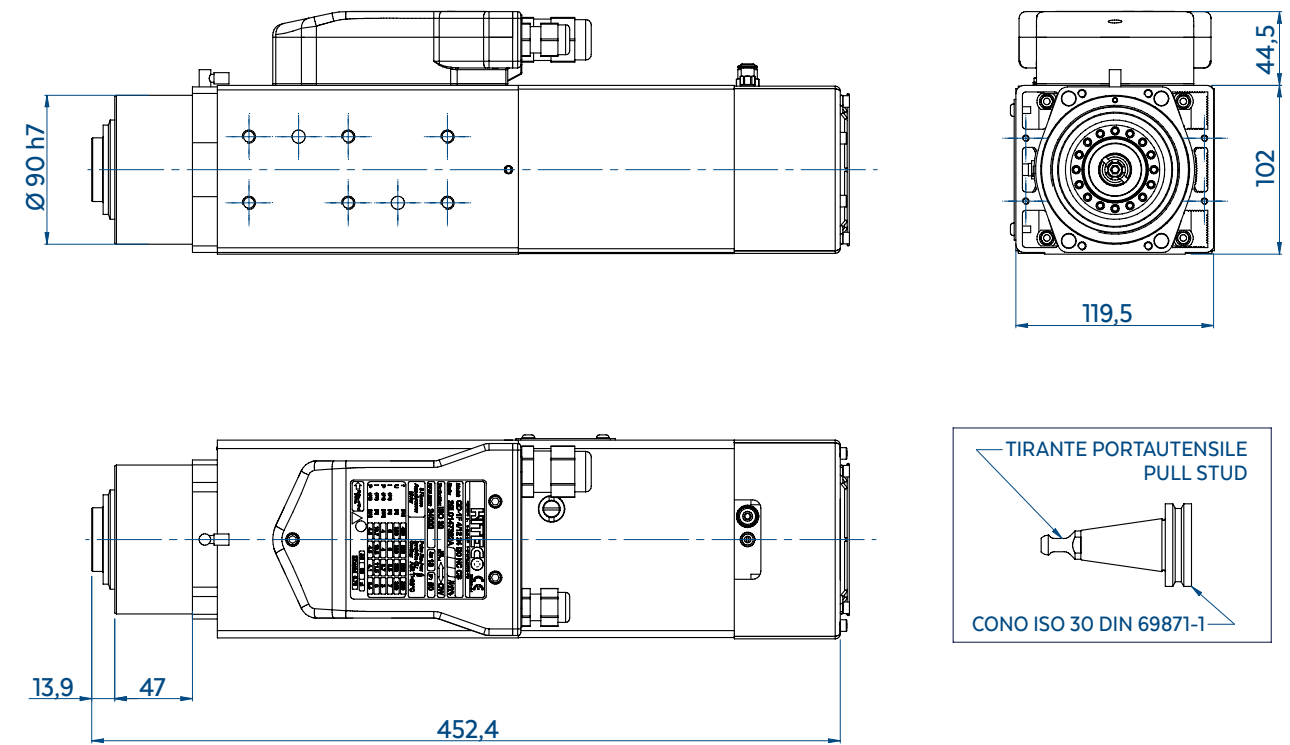
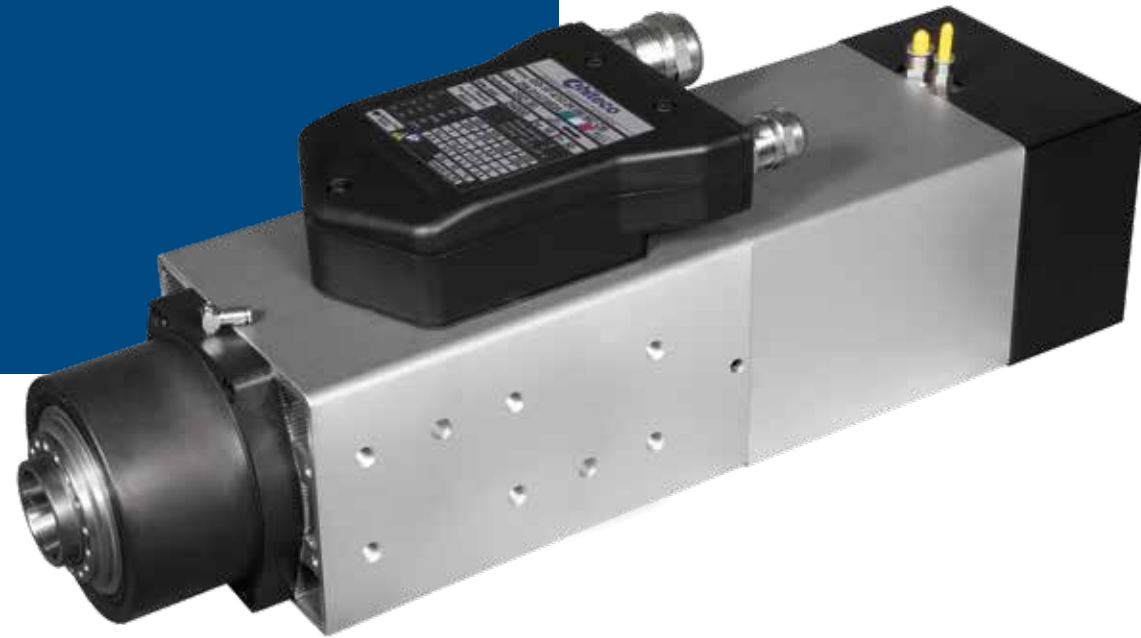
POWERTECH 200

HIGH SPEED
AIR COOLING

- QD-1F 4/12 24 I30 NC CB p.10
- QD-1F 4/12 24 63F NC CB p.12



QD-1F 4/12 24 I30 NC CB



SPECIFICHE TECNICHE TECHNICAL SPECIFICATIONS

S1 kW 4	S6 kW 4,5
S1 Nm 3,2	S6 Nm 3,6
S1 A 9	S6 A 10,7
Volt 380	
Pol es 4	
Supply inverter	
rpm 24000	
kg 18	

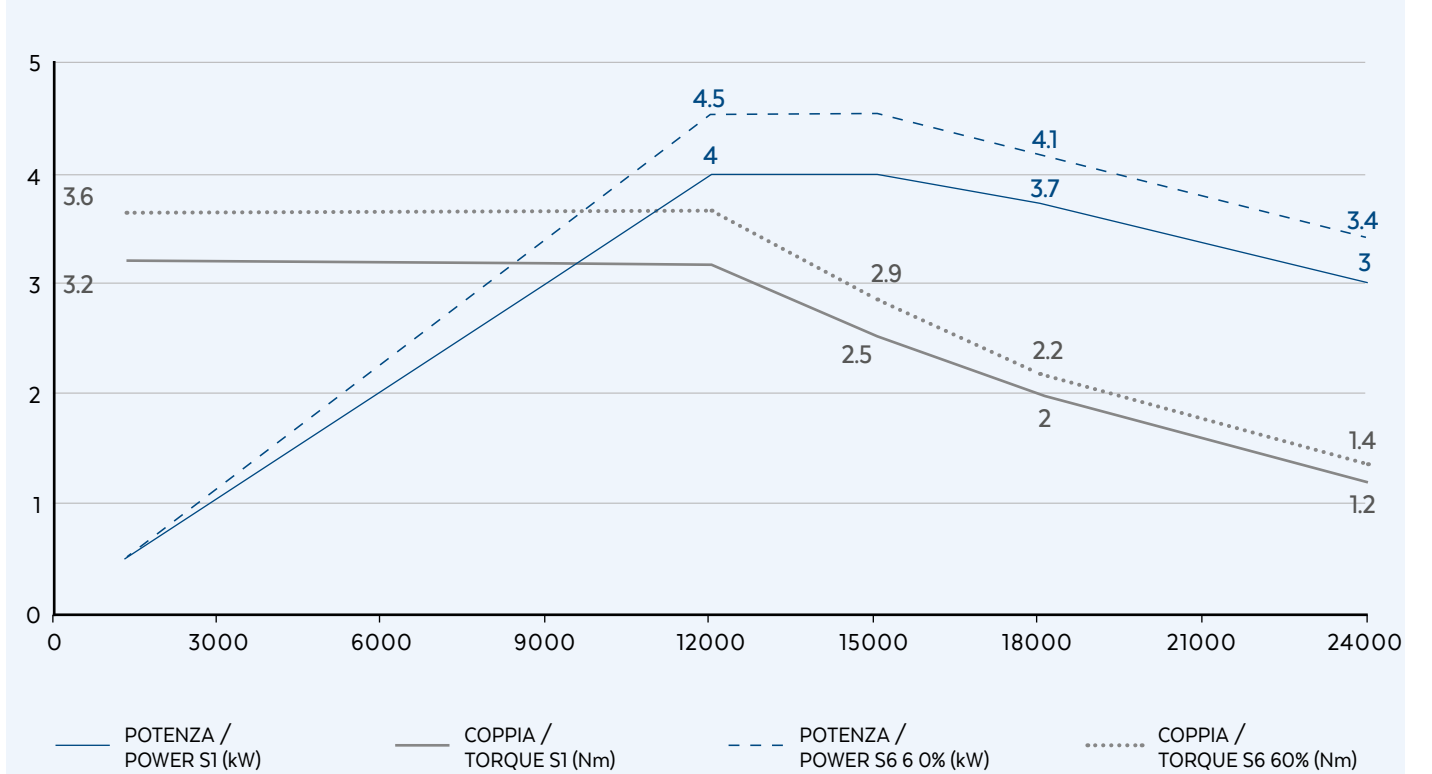
EQUIPAGGIAMENTO EQUIPMENT

- ISO 30
- Cuscinetti ceramici
Ceramic ball bearings
- Raffreddamento con elettroventola
Electrofan cooling

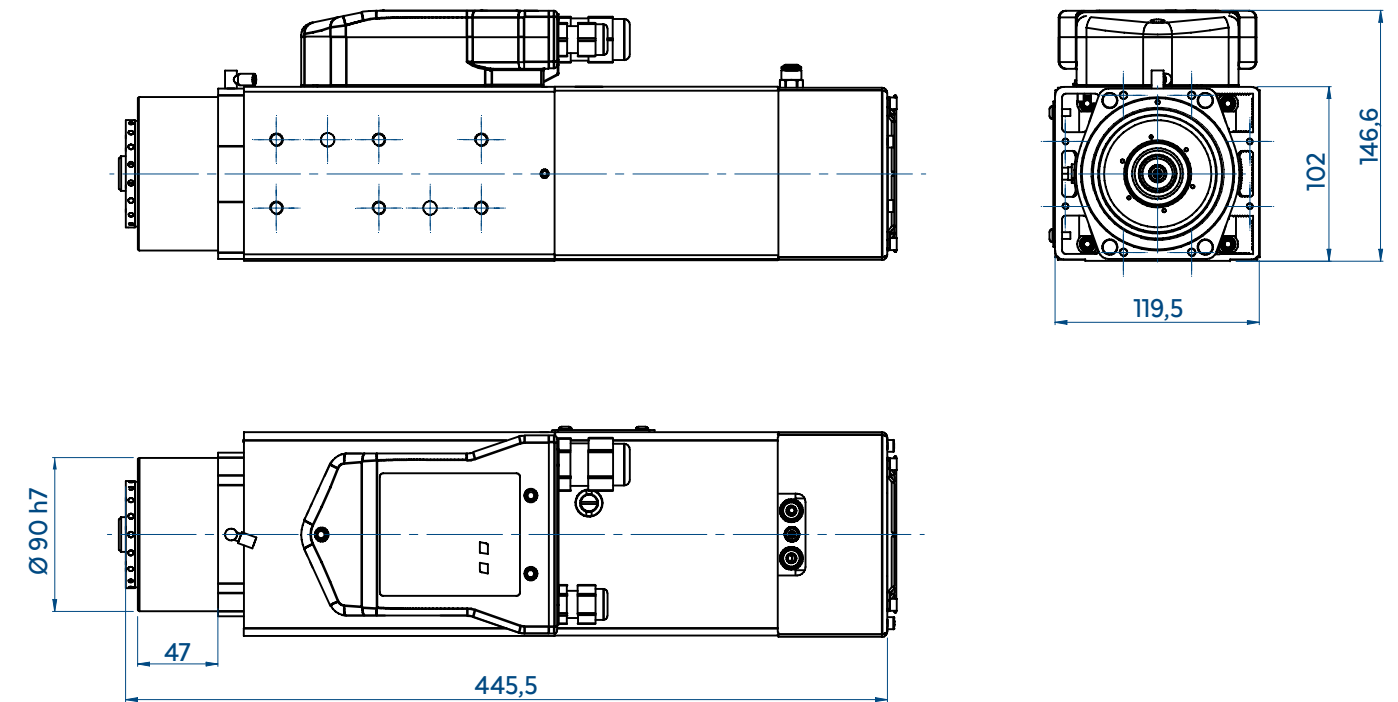
OPZIONALI OPTIONALS

- Dual voltage 220V-380V
- CC circular connector Male
- CC circular connector Female (machine side)

PRESTAZIONI PERFORMANCES



QD-1F 4/12 24 63F NC CB



SPECIFICHE TECNICHE TECHNICAL SPECIFICATIONS

S1 kW 4	S6 kW 4,5
S1 Nm 3,2	S6 Nm 3,6
S1 A 9	S6 A 10,7
Volt 380	
Pol es 4	
Supply inverter	
rpm 24000	
kg 18	

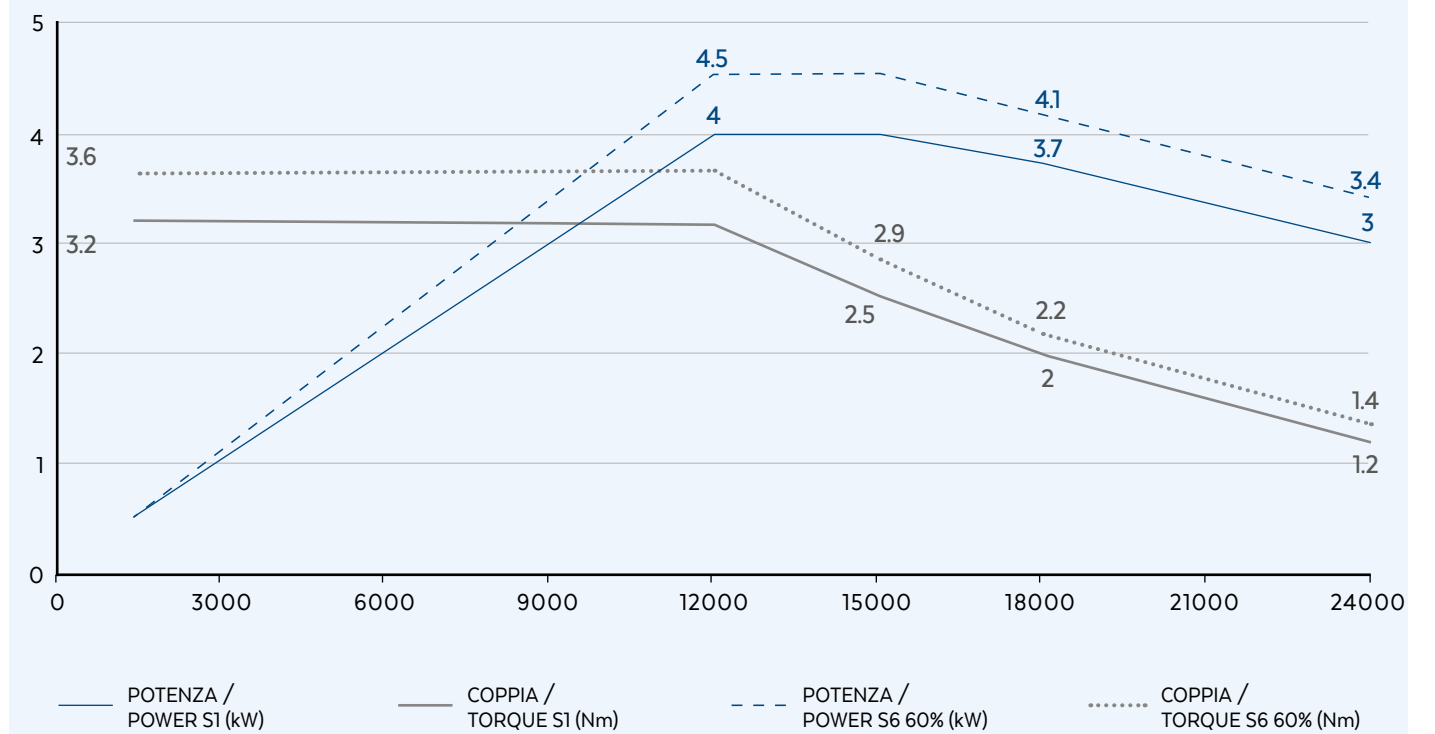
EQUIPAGGIAMENTO EQUIPMENT

- HSK 63F
- Cuscinetti ceramici
Ceramic ball bearings
- Raffreddamento con elettroventola
Electrofan cooling

OPZIONALI OPTIONALS

- Dual voltage 220V-380V
- CC circular connector Male
- CC circular connector Female (machine side)

PRESTAZIONI PERFORMANCES



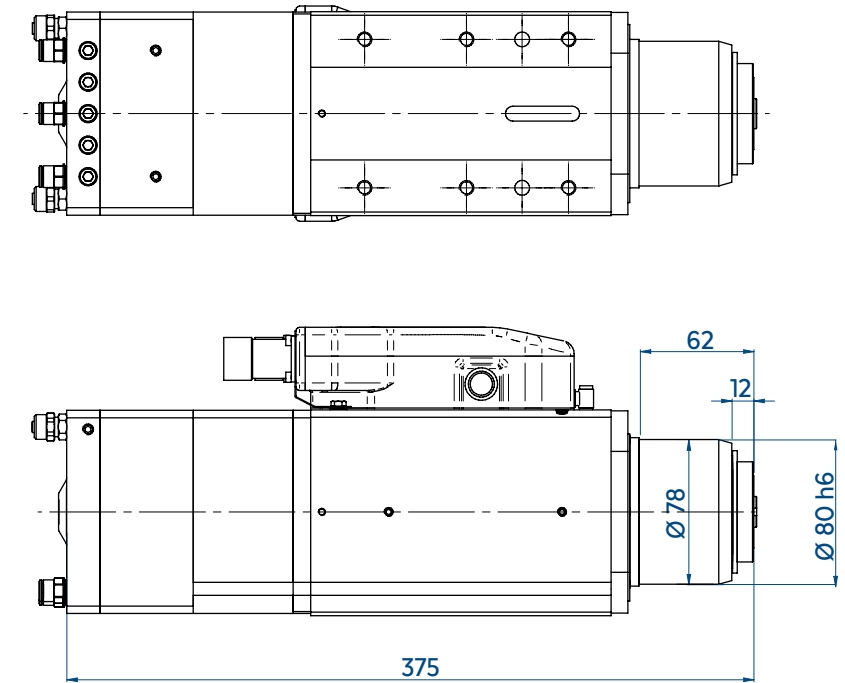
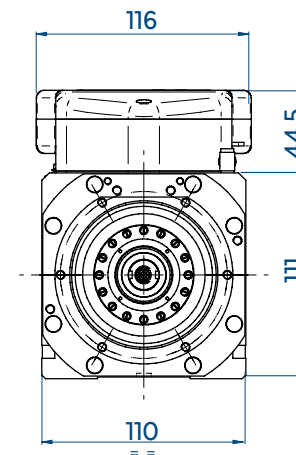
POWERTECH 250

HIGH SPEED
LIQUID COOLING

- QD-2 8/12 36 40E NL CC p.16
- QD-2 8/12 40 32E NL CC p.18
- QD-2 8/12 36 40E NL SC p.20
- QD-2 8/12 40 32E NL SC p.22



QD-2 8/12 36 40E NL CC



SPECIFICHE TECNICHE TECHNICAL SPECIFICATIONS

S1 kW 8	S6 kW 9
S1 Nm 6,4	S6 Nm 7,2
S1 A 24	S6 A 26
Volt 380	
Pol es 4	
Supply inverter	
rpm 36000	
kg 21	

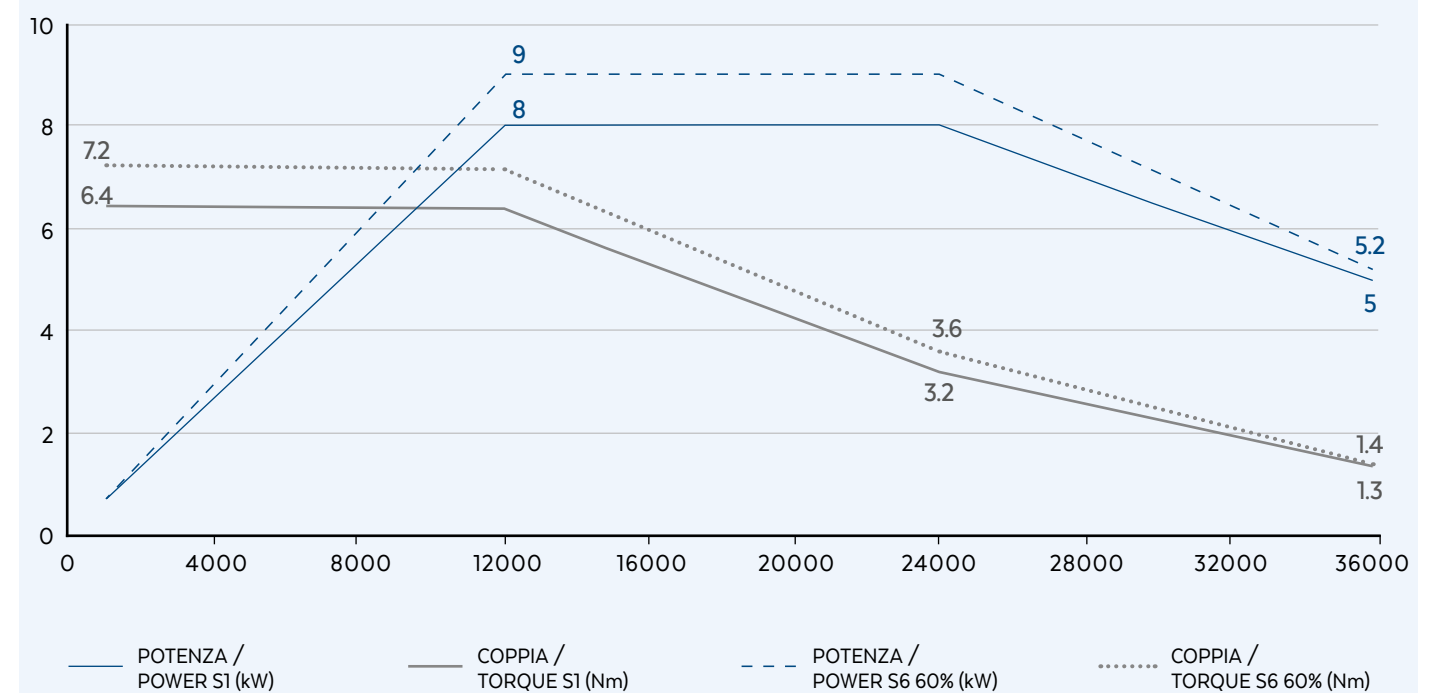
EQUIPAGGIAMENTO EQUIPMENT

- HSK 40E
- Cuscinetti ceramici
Ceramic ball bearings
- Raffreddamento liquido
Liquid cooling
- CC circular connector
Male

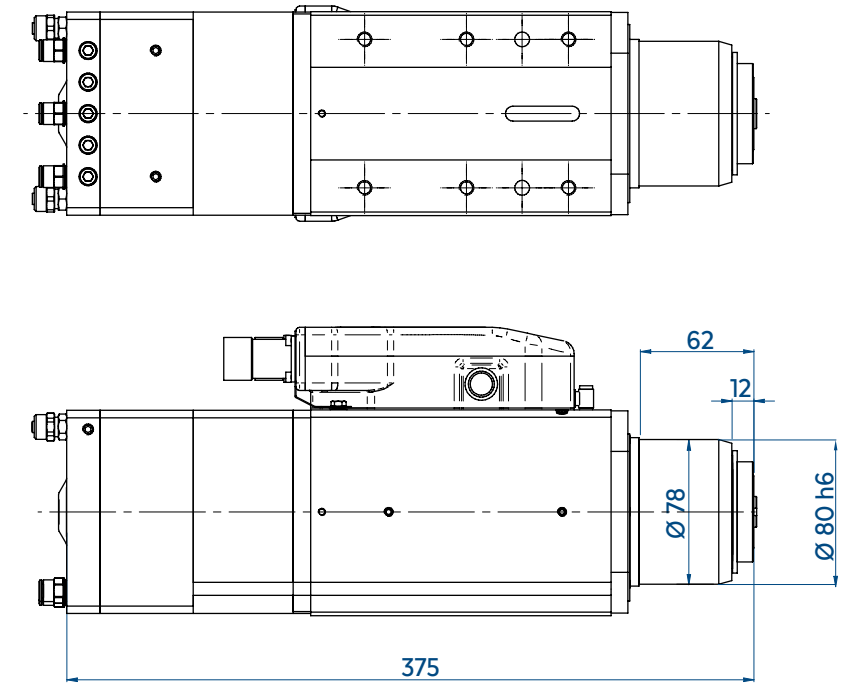
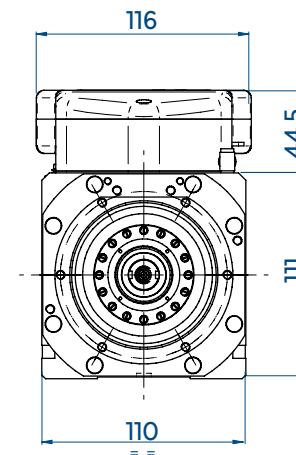
OPZIONALI OPTIONALS

- Encoder
1 Vpp or TTL
- CC circular connector
Female (machine side)

PRESTAZIONI PERFORMANCES



QD-2 8/12 40 32E NL CC



SPECIFICHE TECNICHE TECHNICAL SPECIFICATIONS

S1 kW 8	S6 kW 9
S1 Nm 6,4	S6 Nm 7,2
S1 A 24	S6 A 26
Volt 380	
Pol es 4	
Supply inverter	
rpm 40000	
kg 21	

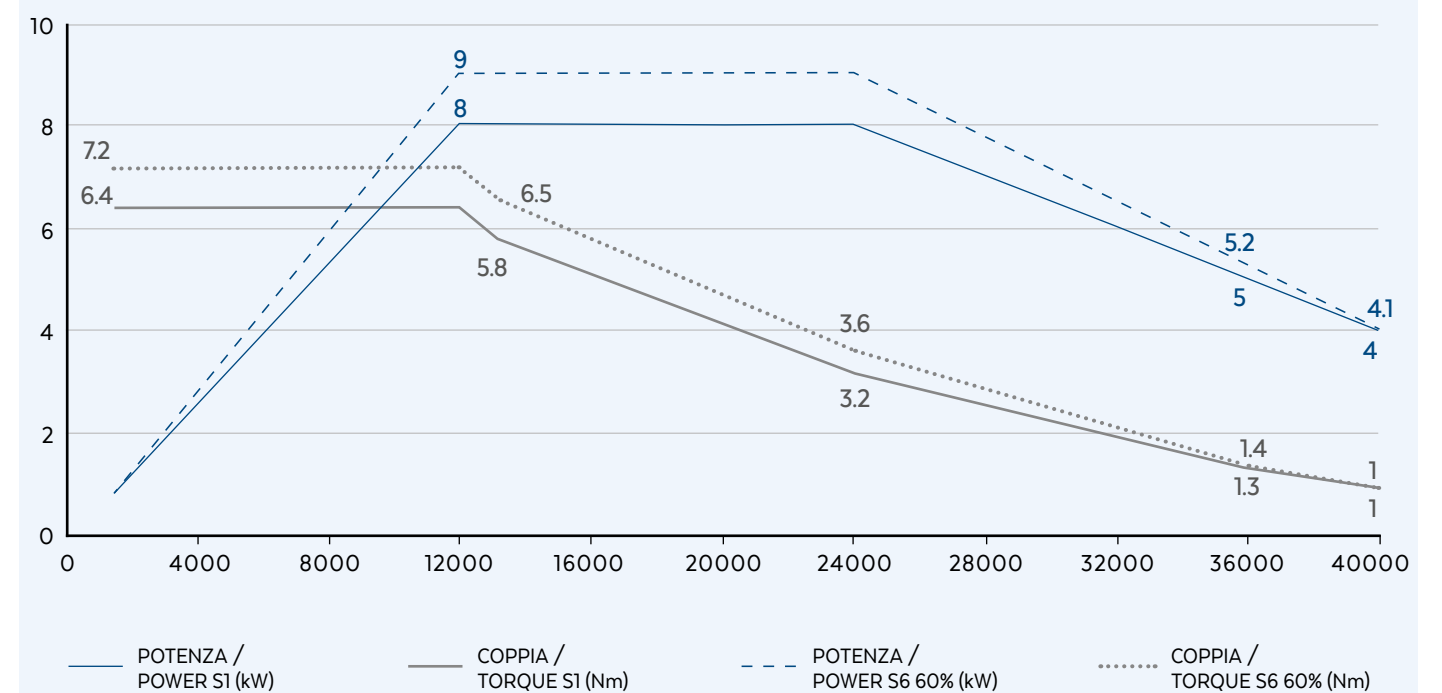
EQUIPAGGIAMENTO EQUIPMENT

- HSK 32E
- Cuscinetti ceramici
Ceramic ball bearings
- Raffreddamento liquido
Liquid cooling
- CC circular connector
Male

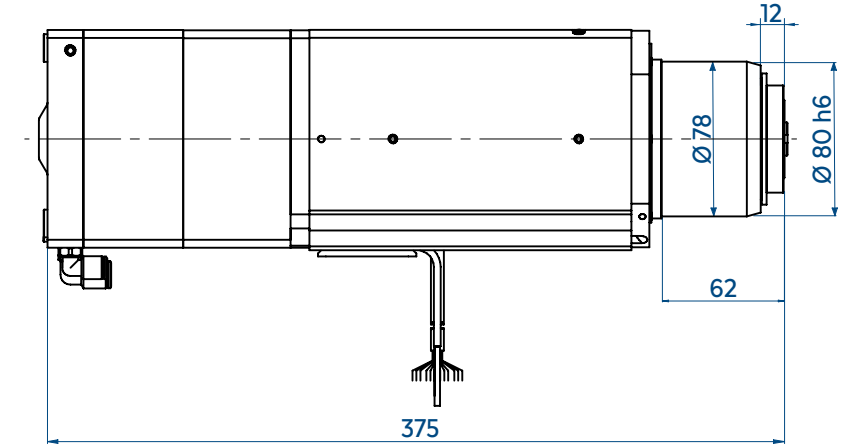
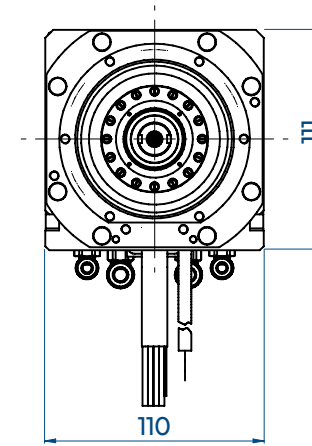
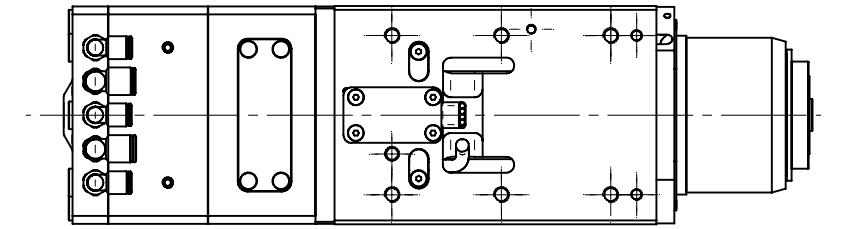
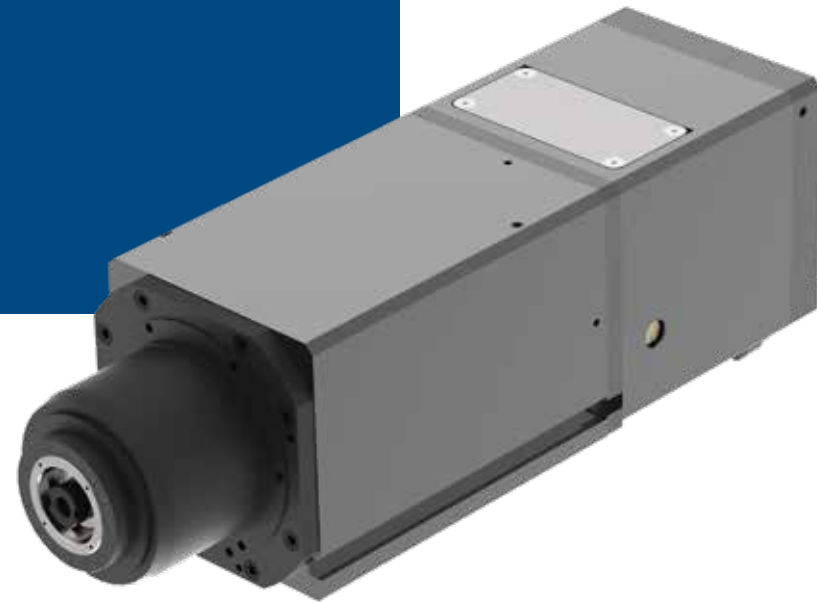
OPZIONALI OPTIONALS

- Encoder
1 Vpp or TTL
- CC circular connector
Female (machine side)

PRESTAZIONI PERFORMANCES



QD-2 8/12 36 40E NL SC



SPECIFICHE TECNICHE TECHNICAL SPECIFICATIONS

S1 kW 8	S6 kW 9
S1 Nm 6,4	S6 Nm 7,2
S1 A 24	S6 A 26
Volt 380	
Pol es 4	
Supply inverter	
rpm 36000	
kg 21	

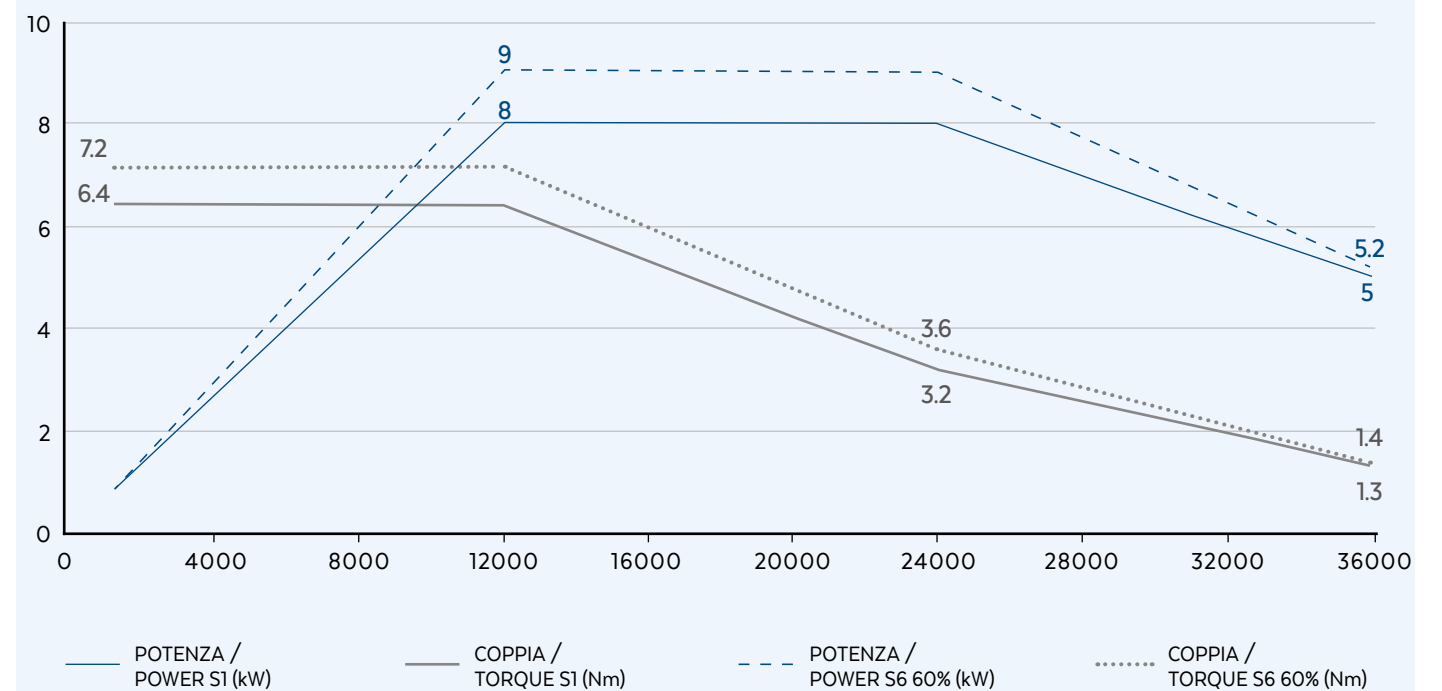
EQUIPAGGIAMENTO EQUIPMENT

- HSK 40E
- Cuscinetti ceramici
Ceramic ball bearings
- Raffreddamento liquido
Liquid cooling

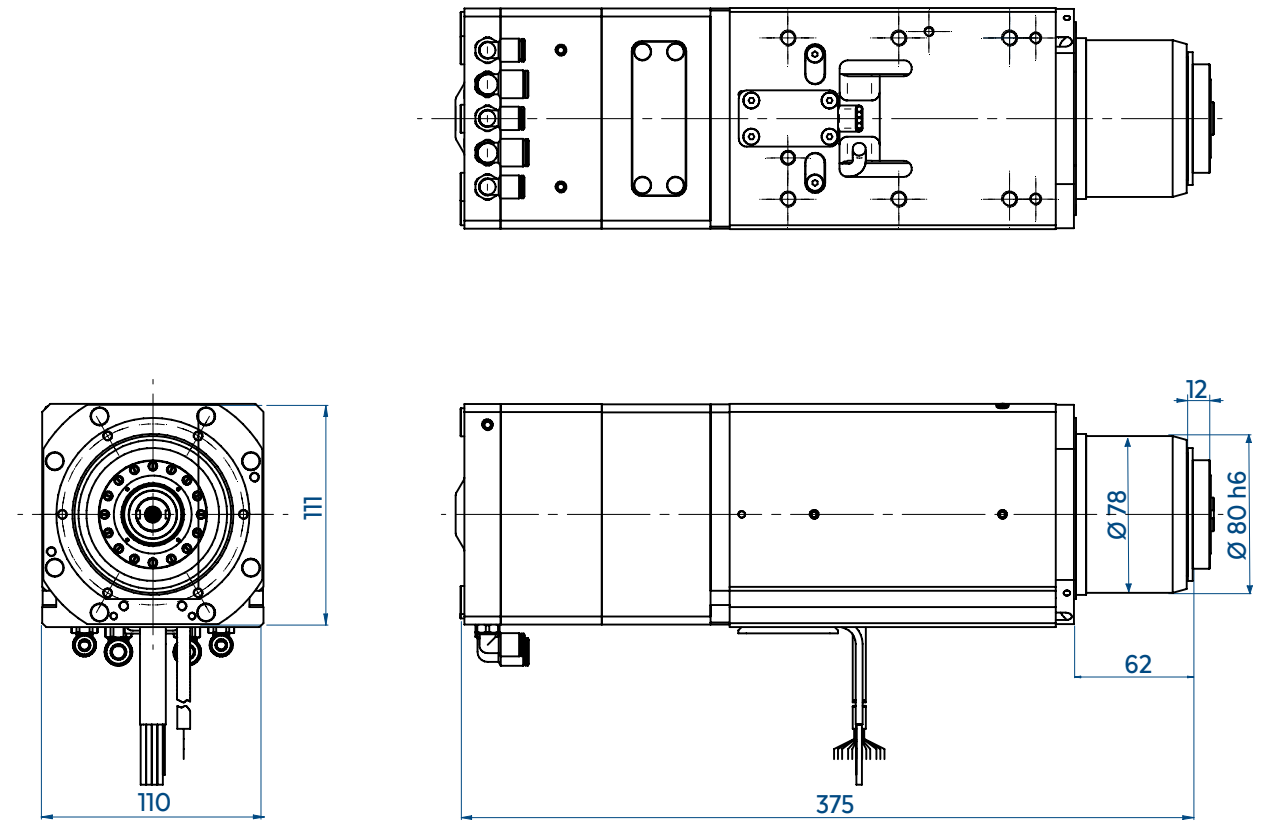
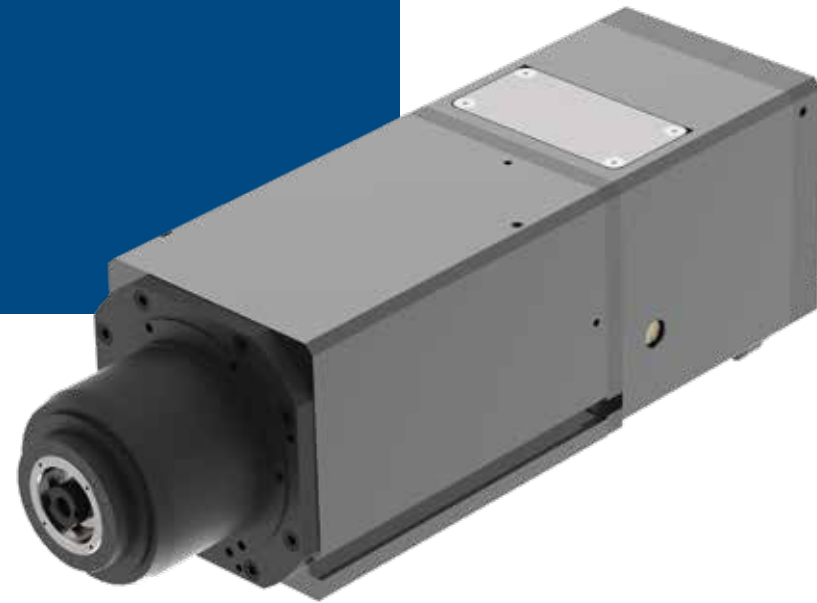
OPZIONALI OPTIONALS

- Encoder
1 Vpp or TTL

PRESTAZIONI PERFORMANCES



QD-2 8/12 40 32E NL SC



SPECIFICHE TECNICHE TECHNICAL SPECIFICATIONS

S1 kW 8	S6 kW 9
S1 Nm 6,4	S6 Nm 7,2
S1 A 24	S6 A 26
Volt 380	
Pol es 4	
Supply inverter	
rpm 40000	
kg 21	

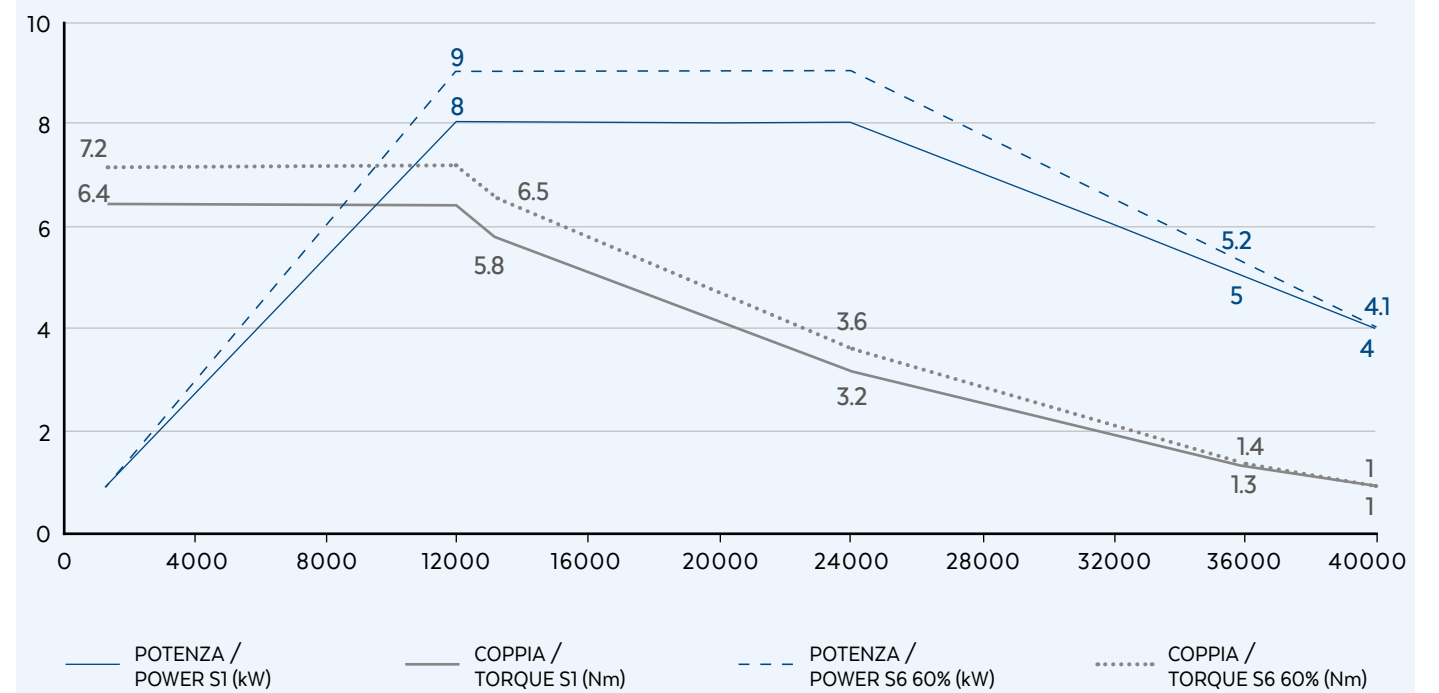
EQUIPAGGIAMENTO EQUIPMENT

- HSK 32E
- Cuscinetti ceramici
Ceramic ball bearings
- Raffreddamento liquido
Liquid cooling

OPZIONALI OPTIONALS

- Encoder
1 Vpp or TTL

PRESTAZIONI PERFORMANCES



POWERTECH 300/400

HIGH SPEED AIR COOLING

- QE-1F 6.6/12 24 I30 NC CB p.**26**
- QE-1F 6.6/12 24 63F NC CB p.**28**
- QE-1F 8/12 24 I30 NC CB p.**30**
- QE-1F 8/12 24 63F NC CB p.**32**
- QE-1F 8.5/12 24 63F NC CB p.**34**
- QE-1F 10/11 24 I30 NC CB p.**36**
- QE-1F 10/11 24 63F NC CB p.**38**
- QE-1F 12/12 24 63F NC CB p.**40**

HIGH SPEED LIQUID COOLING

- QE-1F 13/12 24 63F NC CB p.**42**
- QE-1F 16/12 24 63F NC CB p.**44**

HIGH TORQUE AIR COOLING

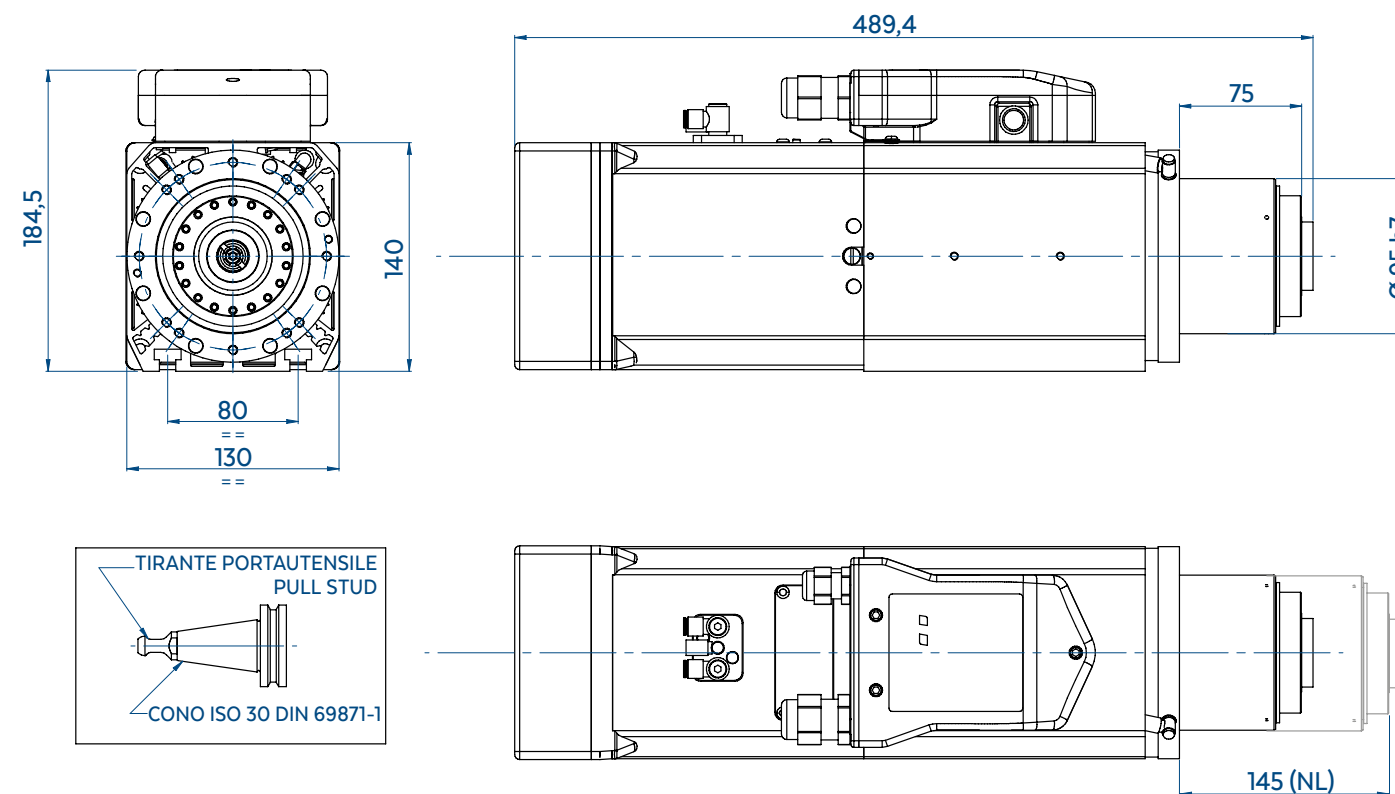
- QE-1F 5.5/6 20 I30 NC CB p.**46**
- QE-1F 5.5/6 20 63F NC CB p.**48**
- QE-1F 7.5/6 24 I30 NC CB p.**50**
- QE-1F 7.5/6 24 63F NC CB p.**52**
- QE-1F 8.5/6 24 I30 NC CB p.**54**
- QE-1F 8.5/6 24 63F NC CB p.**56**

HIGH TORQUE LIQUID COOLING

- QE-2 9/6 24 63F NC CB p.**58**
- QE-2 11/6 24 63F NC CB p.**60**



QE-1F 6.6/12 24 I30 NC CB



SPECIFICHE TECNICHE TECHNICAL SPECIFICATIONS

S1 kW 6,6	S6 kW 7,5
S1 Nm 5,3	S6 Nm 5,9
S1 A 14,5	S6 A 16
Volt 380	
Pol es 4	
Supply inverter	
rpm 24000	
kg 21	

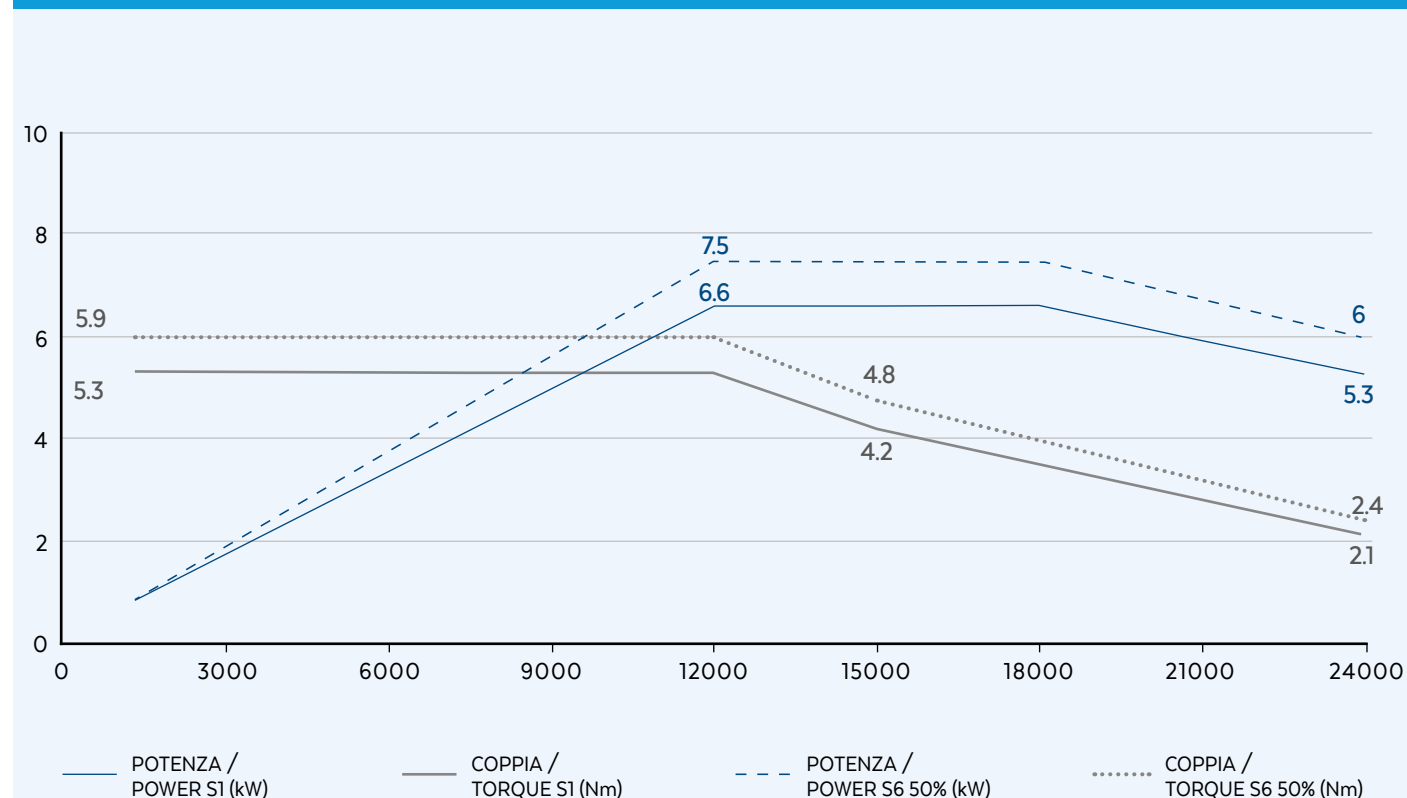
EQUIPAGGIAMENTO EQUIPMENT

- ISO 30
- Cuscinetti ceramici
Ceramic ball bearings
- Raffreddamento con elettroventola
Electrofan cooling

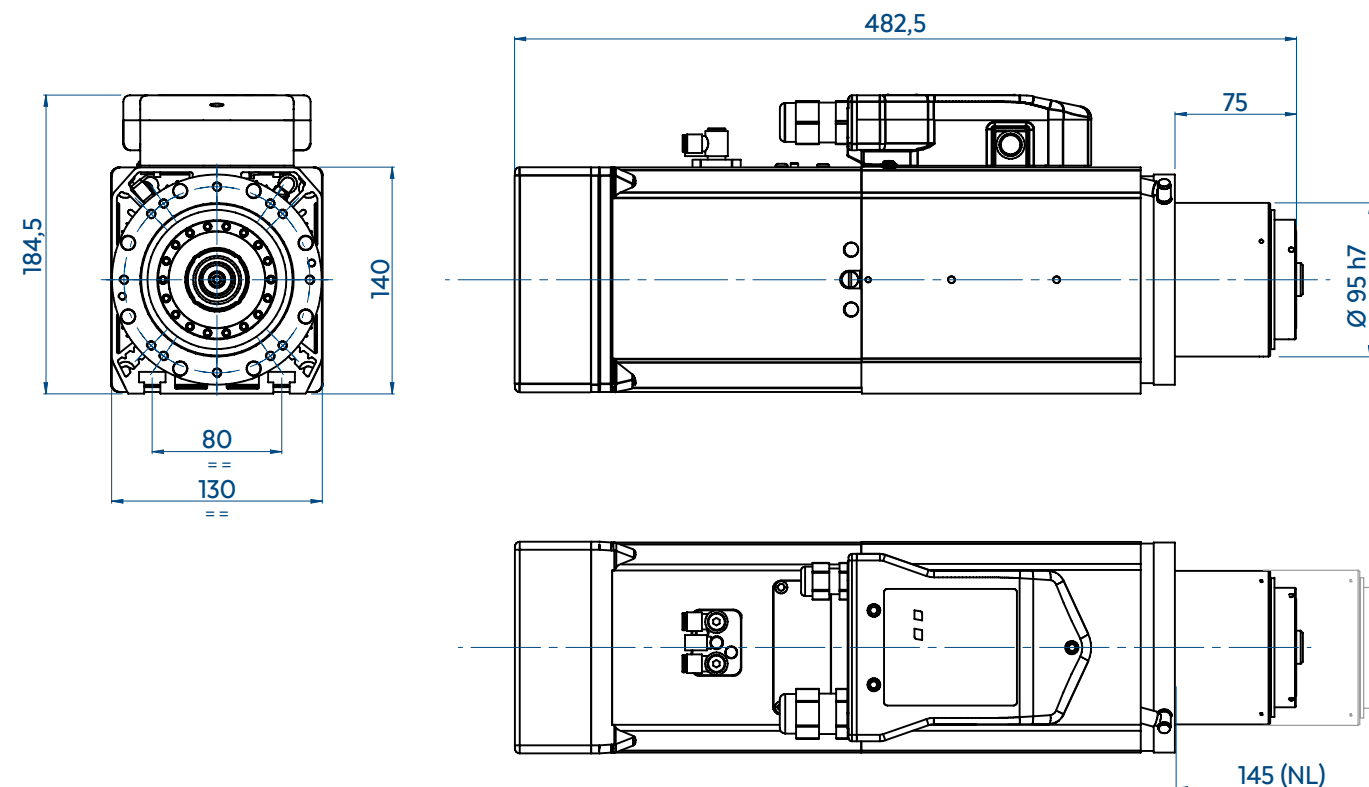
OPZIONALI OPTIONALS

- Encoder 1 Vpp or TTL
- Naso lungo
Long nose
- CC circular connector
Male
- CC circular connector
Female (machine side)

PRESTAZIONI PERFORMANCES



QE-1F 6.6/12 24 63F NC CB



SPECIFICHE TECNICHE TECHNICAL SPECIFICATIONS

S1 kW 6,6	S6 kW 7,5
S1 Nm 5,3	S6 Nm 5,9
S1 A 14,5	S6 A 16
Volt 380	
Pol es 4	
Supply inverter	
rpm 24000	
kg 21	

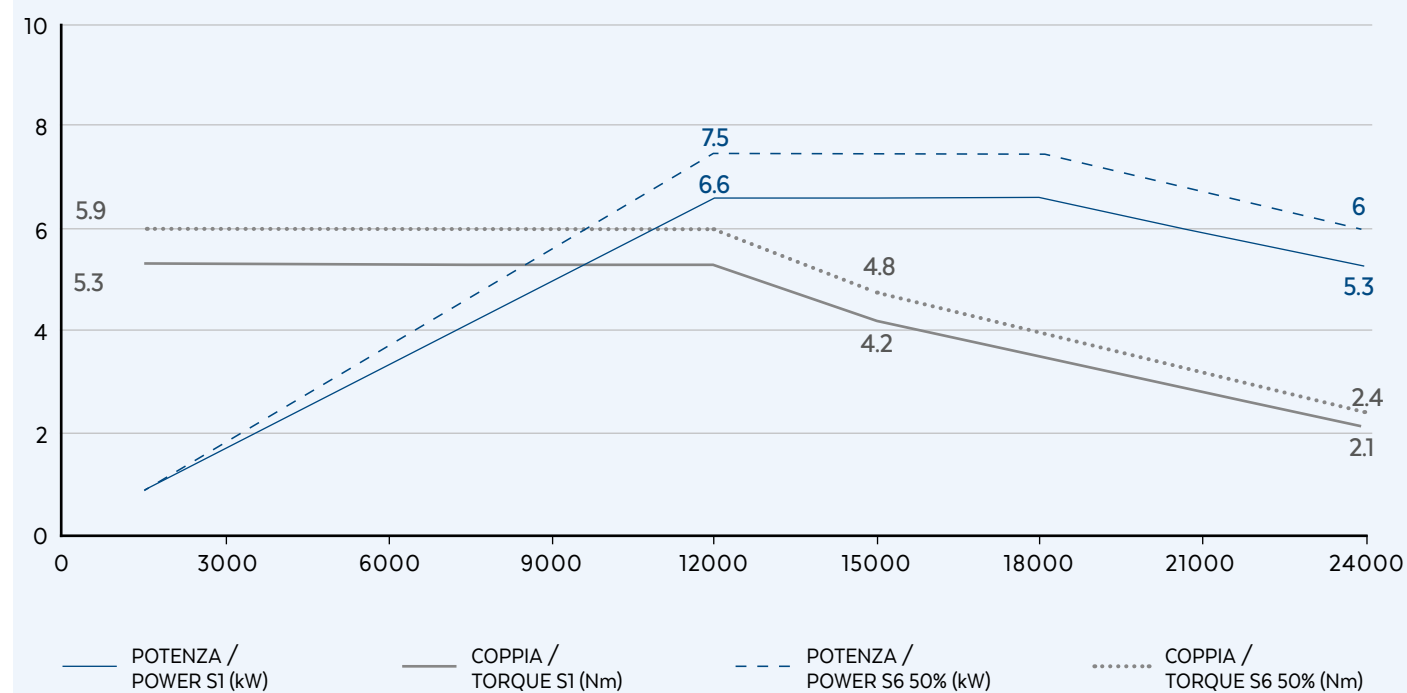
EQUIPAGGIAMENTO EQUIPMENT

- HSK 63F
- Cuscinetti ceramici
Ceramic ball bearings
- Raffreddamento con elettroventola
Electrofan cooling

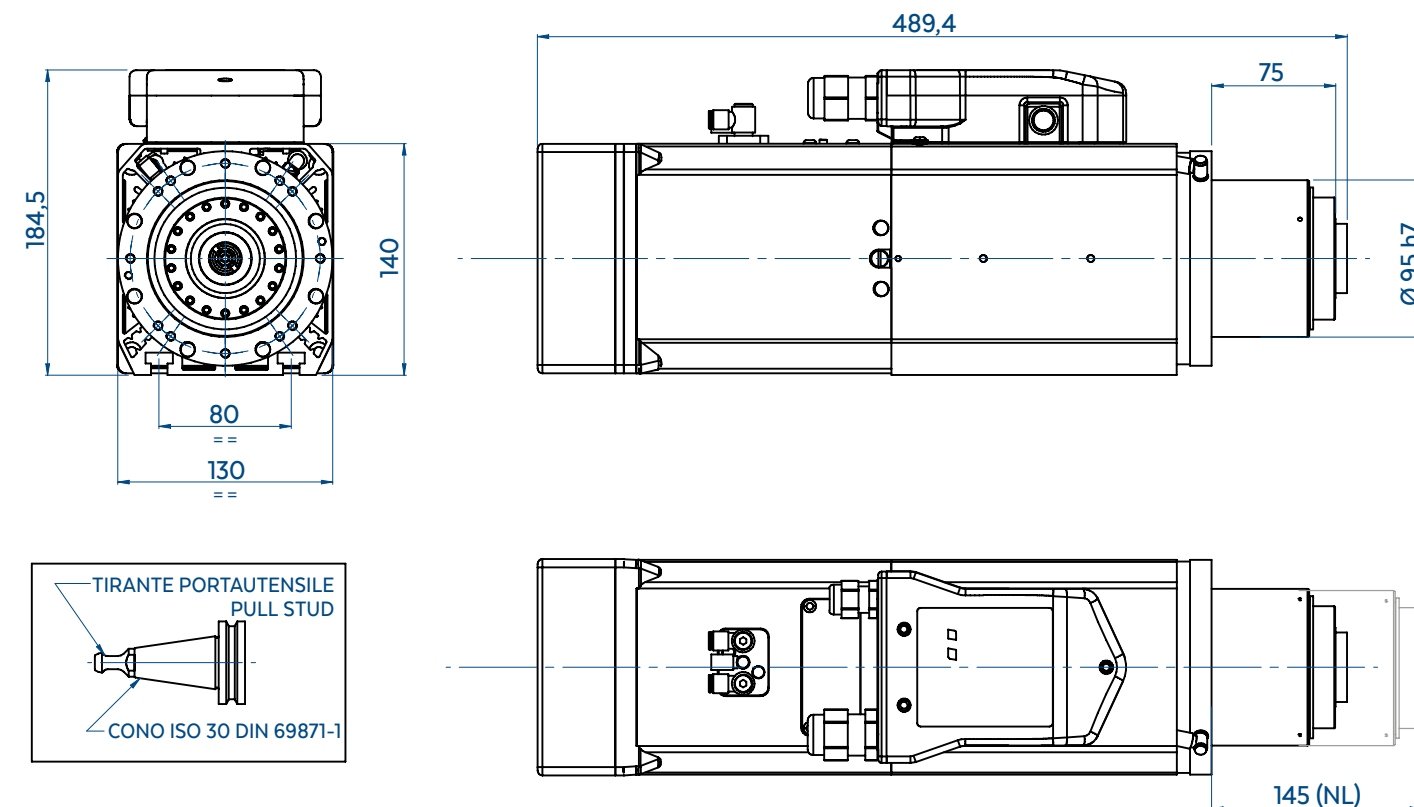
OPZIONALI OPTIONALS

- Encoder 1 Vpp or TTL
- Naso lungo
Long nose
- CC circular connector Male
- Air tool
- CC circular connector Female (machine side)

PRESTAZIONI PERFORMANCES



QE-1F 8/12 24 I30 NC CB



SPECIFICHE TECNICHE
TECHNICAL SPECIFICATIONS

S1 kW 8	S6 kW 9,5
S1 Nm 6,4	S6 Nm 7,6
S1 A 18,5	S6 A 20,5
Volt 380	
Pol es 4	
Supply inverter	
rpm 24000	
kg 21	

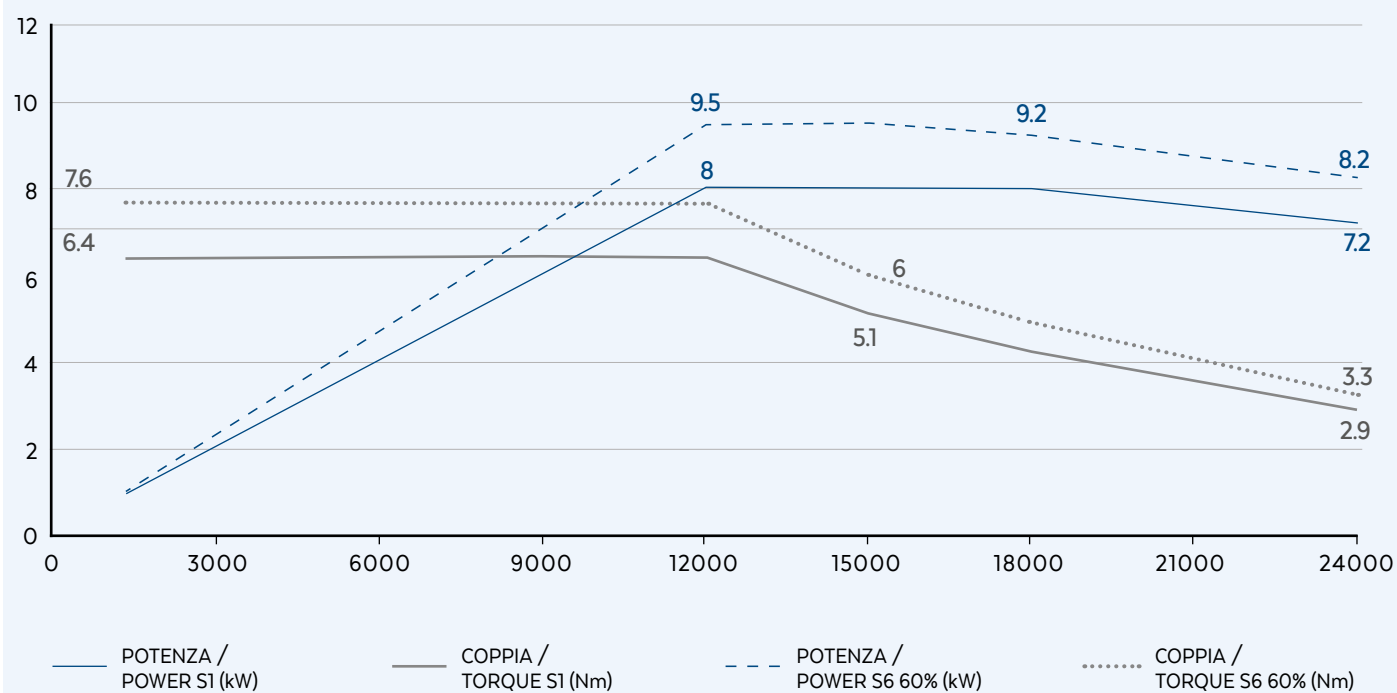
EQUIPAGGIAMENTO
EQUIPMENT

- ISO 30
- Cuscinetti ceramici
Ceramic ball bearings
- Raffreddamento con elettroventola
Electrofan cooling

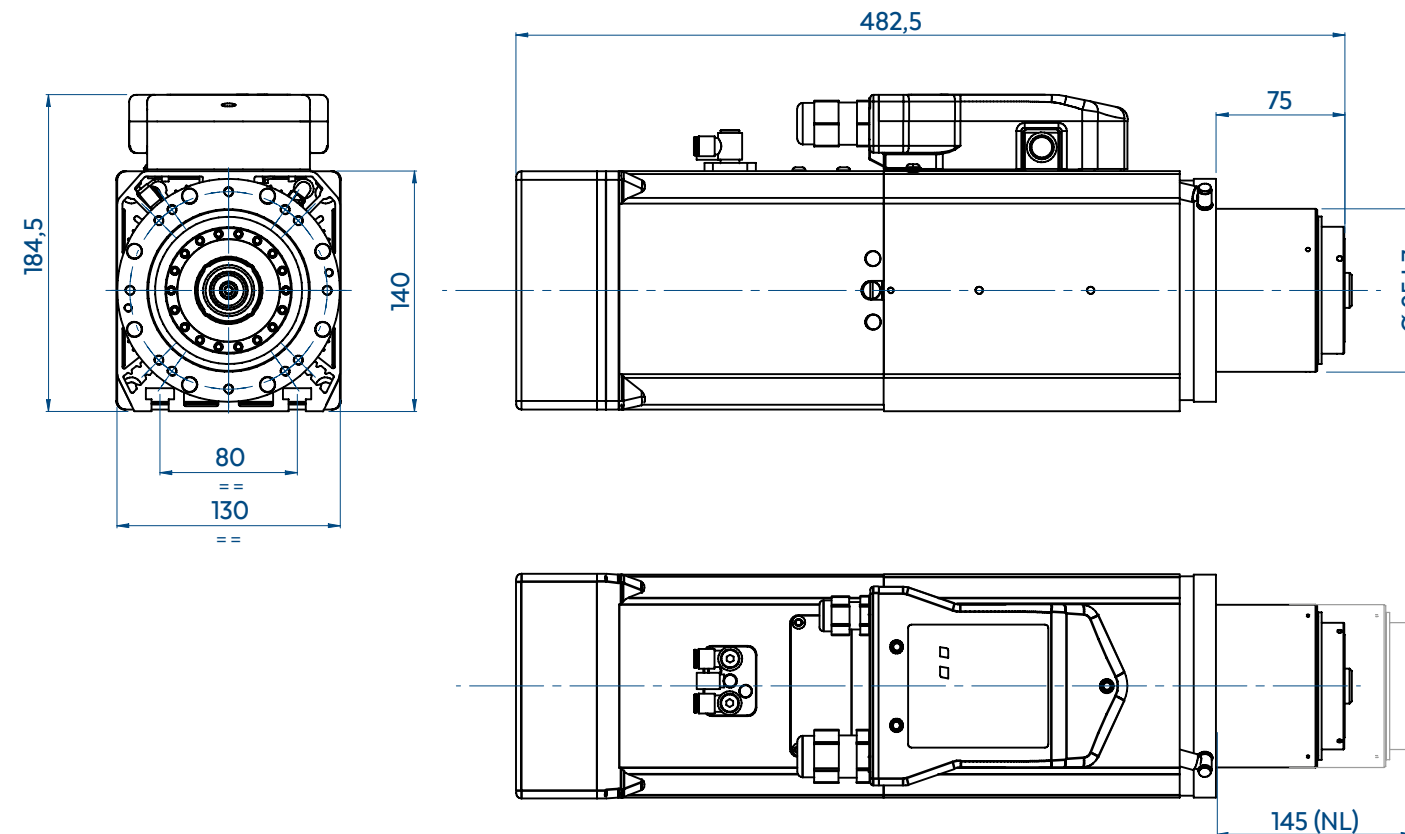
OPZIONALI
OPTIONALS

- Encoder 1 Vpp or TTL
- Naso lungo
Long nose
- CC circular connector Male
- Dual voltage 220V-380V*
- CC circular connector Female (machine side)

PRESTAZIONI
PERFORMANCES



QE-1F 8/12 24 63F NC CB



SPECIFICHE TECNICHE
TECHNICAL SPECIFICATIONS

S1 kW 8	S6 kW 9,5
S1 Nm 6,4	S6 Nm 7,6
S1 A 18,5	S6 A 20,5
Volt 380	
Pol es 4	
Supply inverter	
rpm 24000	
kg 21	

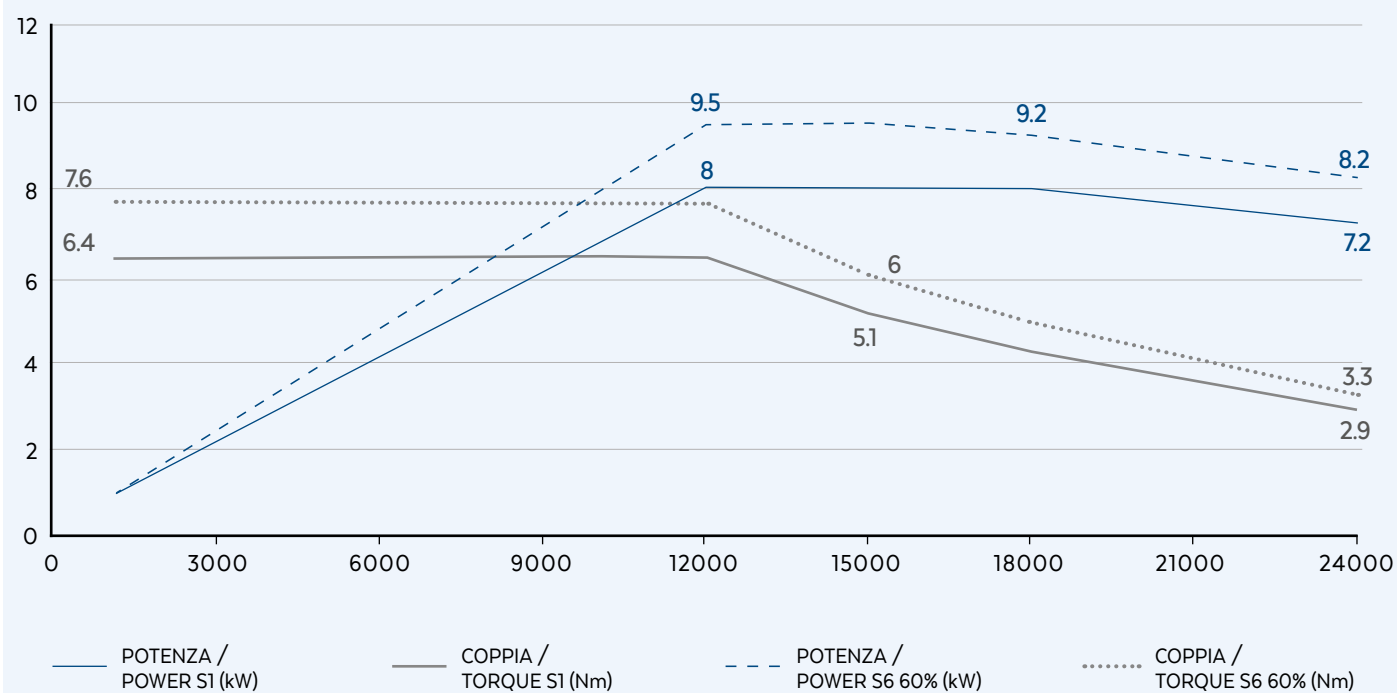
EQUIPAGGIAMENTO
EQUIPMENT

- HSK 63F
- Cuscinetti ceramici
Ceramic ball bearings
- Raffreddamento con elettroventola
Electrofan cooling

OPZIONALI
OPTIONALS

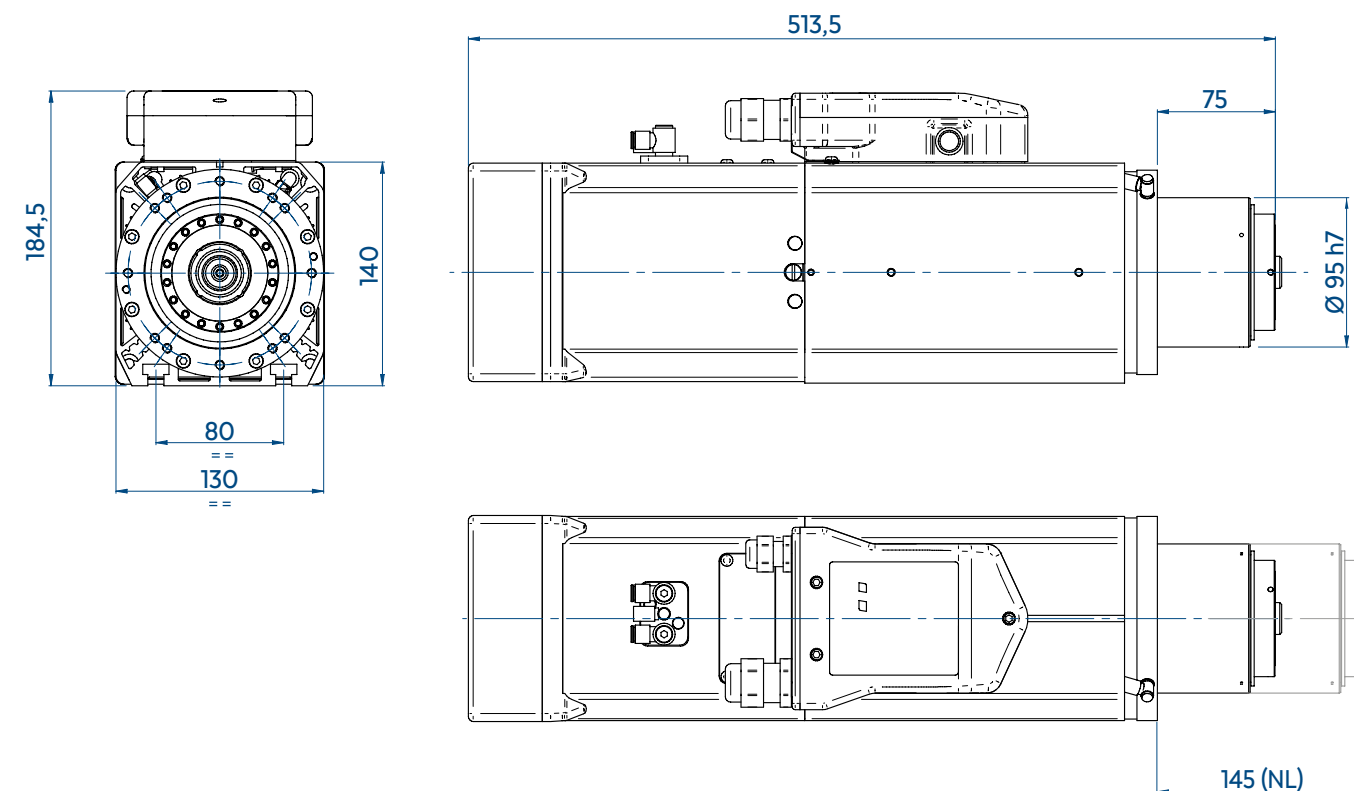
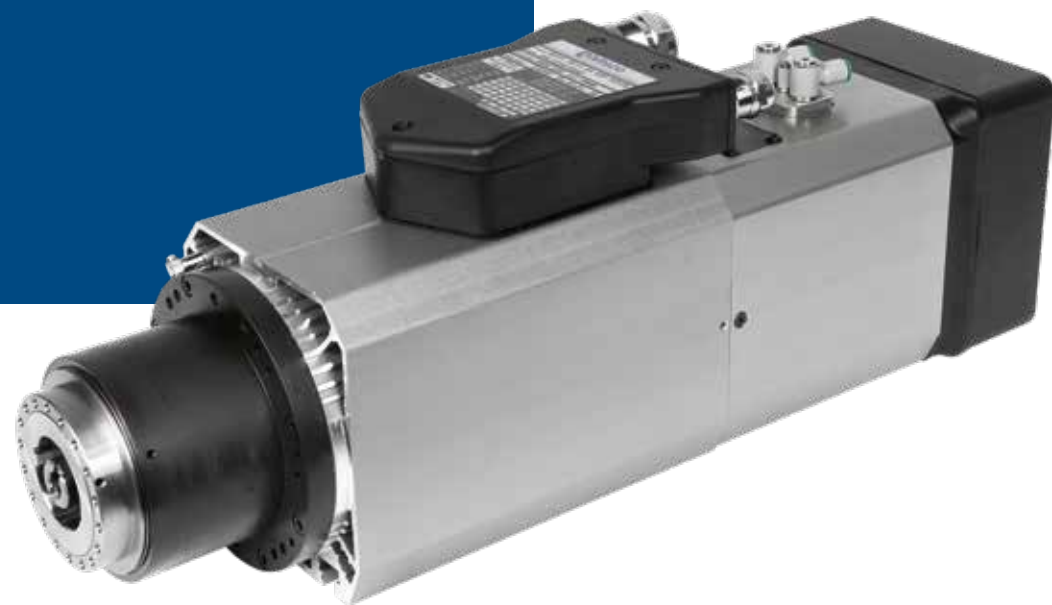
- Encoder 1 Vpp or TTL
- Naso lungo
Long nose
- CC circular connector Male
- Air tool
- CC circular connector Female (machine side)
- Dual voltage 220V-380V*

PRESTAZIONI
PERFORMANCES



*Quando l'unità è in versione bi tensione (220 V/380 V), le dimensioni cambiano rispetto a quelle rappresentate nel layout
*When the unit is in dual voltage version (220 V/380 V), the layout differs from the one represented in the plan

QE-1F 8.5/12 24 63F NC CB



SPECIFICHE TECNICHE
TECHNICAL SPECIFICATIONS

S1 kW 8,5	S6 kW 11
S1 Nm 8	S6 Nm 8,8
S1 A 22	S6 A 23
Volt 380	
Pol es 4	
Supply inverter	
rpm 24000	
kg 23	

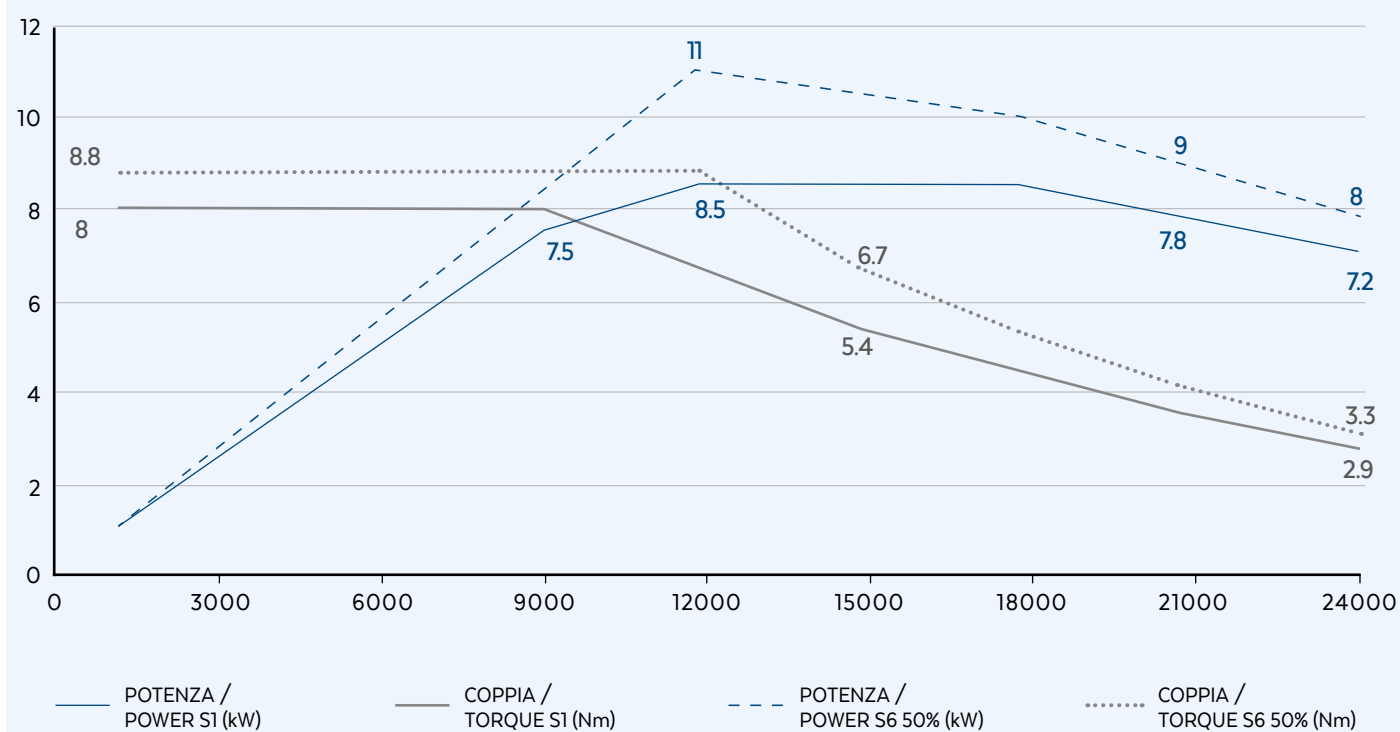
EQUIPAGGIAMENTO
EQUIPMENT

- HSK 63F
- Cuscinetti ceramici
Ceramic ball bearings
- Raffreddamento con elettroventola
Electrofan cooling

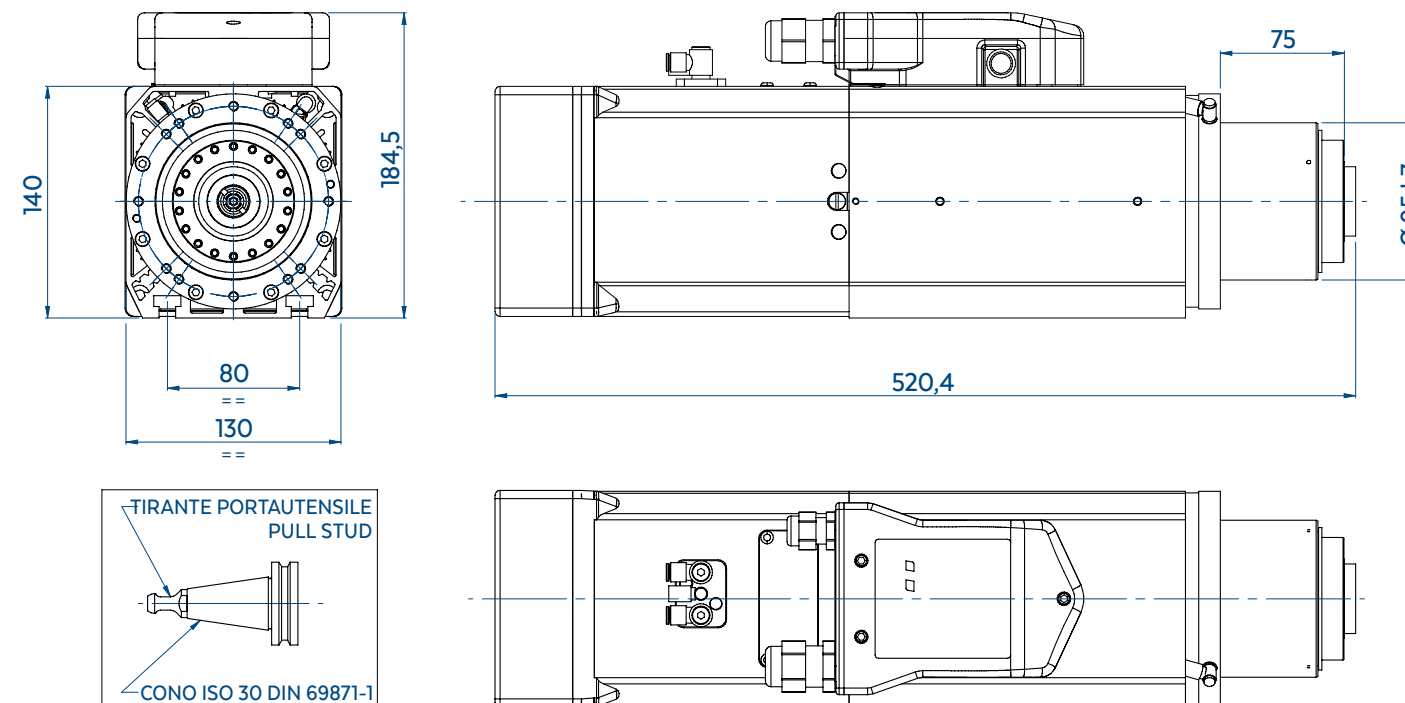
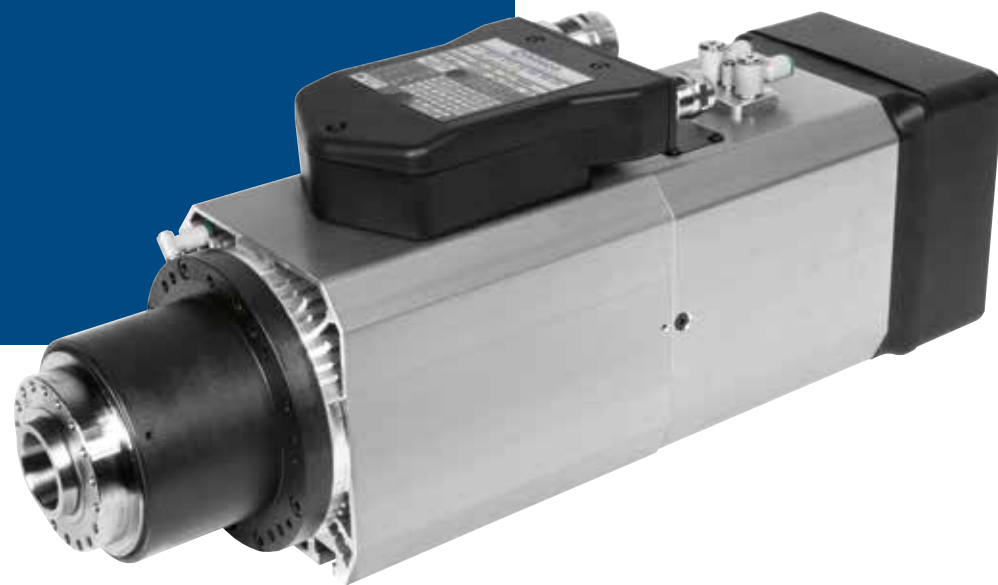
OPZIONALI
OPTIONALS

- Encoder 1 Vpp or TTL
- Naso lungo
Long nose
- CC circular connector Male
- Air tool
- CC circular connector Female (machine side)

PRESTAZIONI
PERFORMANCES



QE-1F 10/11 24 I30 NC CB



SPECIFICHE TECNICHE
TECHNICAL SPECIFICATIONS

S1 kW 10	S6 kW 12
S1 Nm 10,8	S6 Nm 11,5
S1 A 25	S6 A 27
Volt 380	
Pol es 4	
Supply inverter	
rpm 24000	
kg 23	

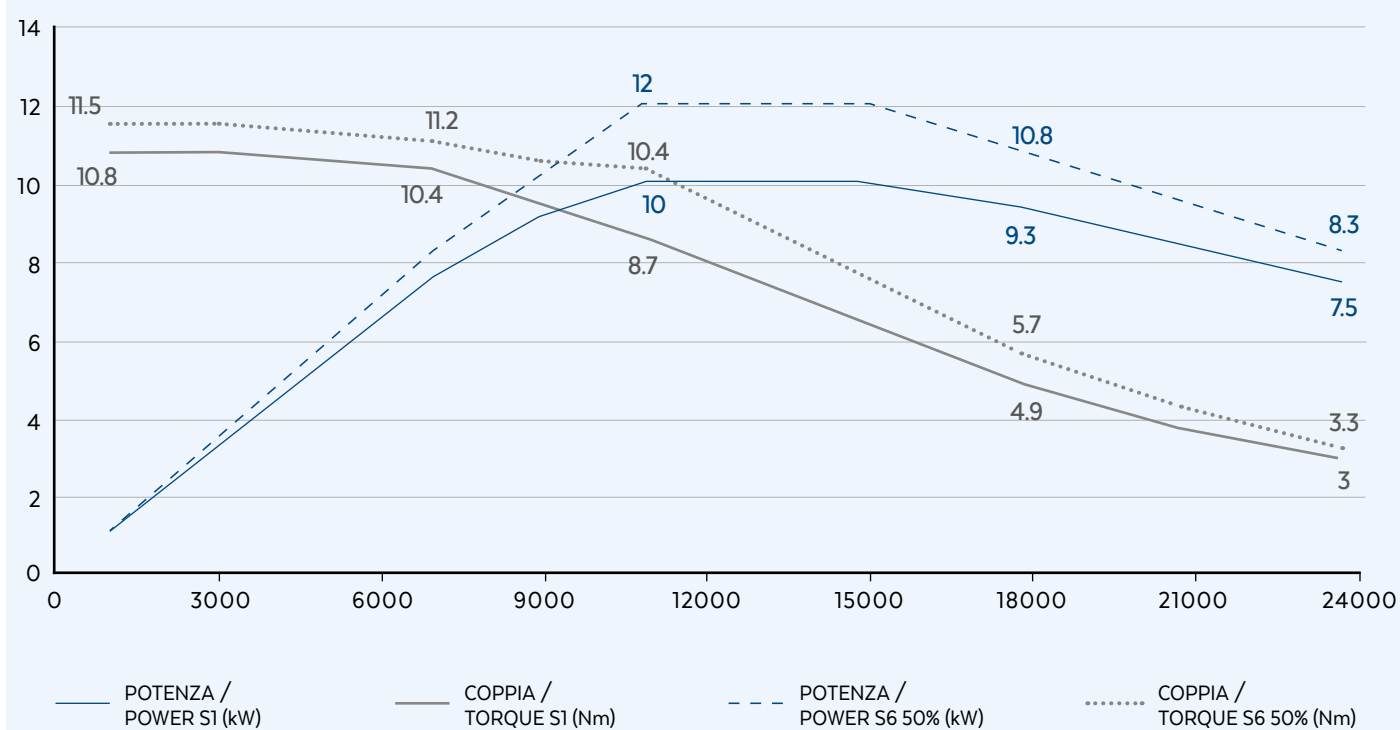
EQUIPAGGIAMENTO
EQUIPMENT

- ISO 30
- Cuscinetti ceramici
Ceramic ball bearings
- Raffreddamento con elettroventola
Electrofan cooling

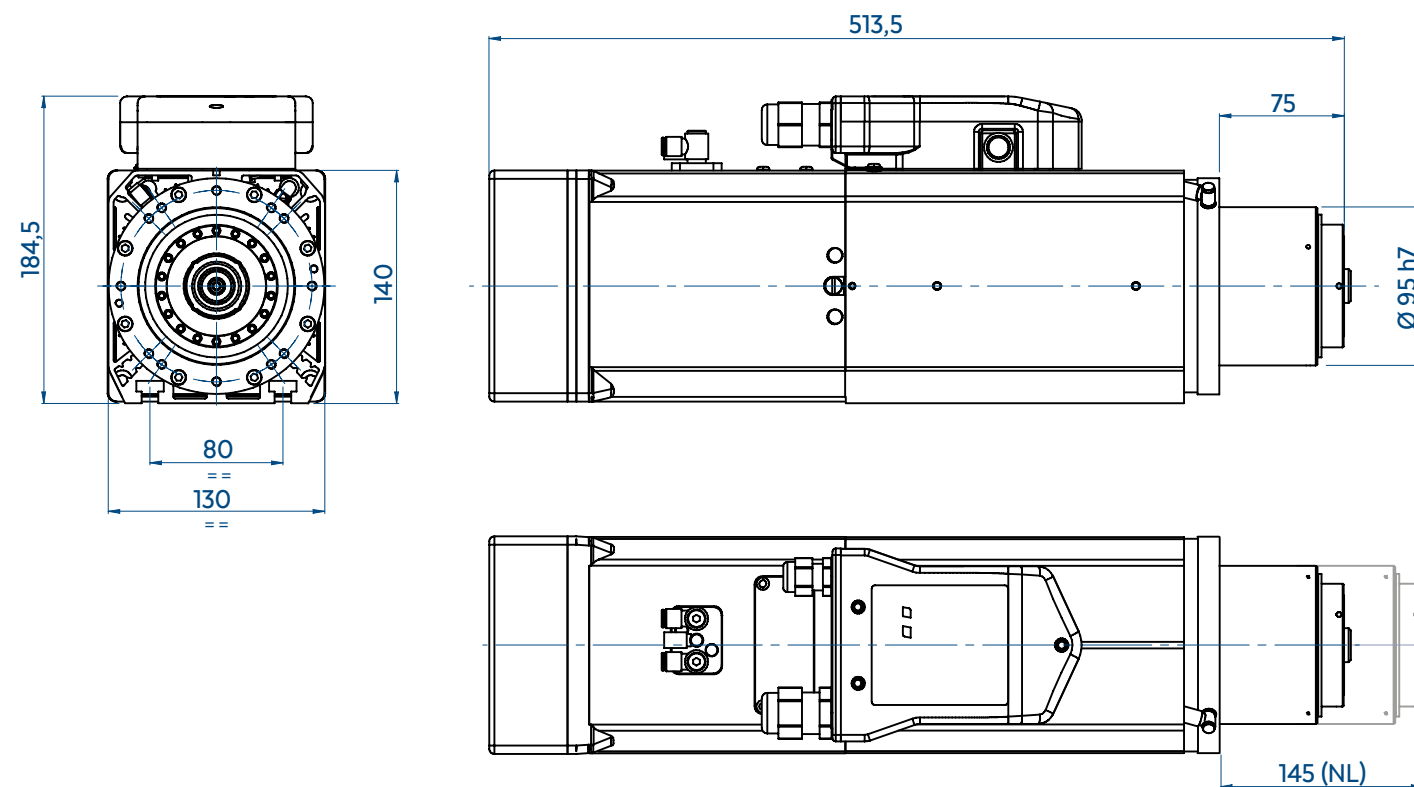
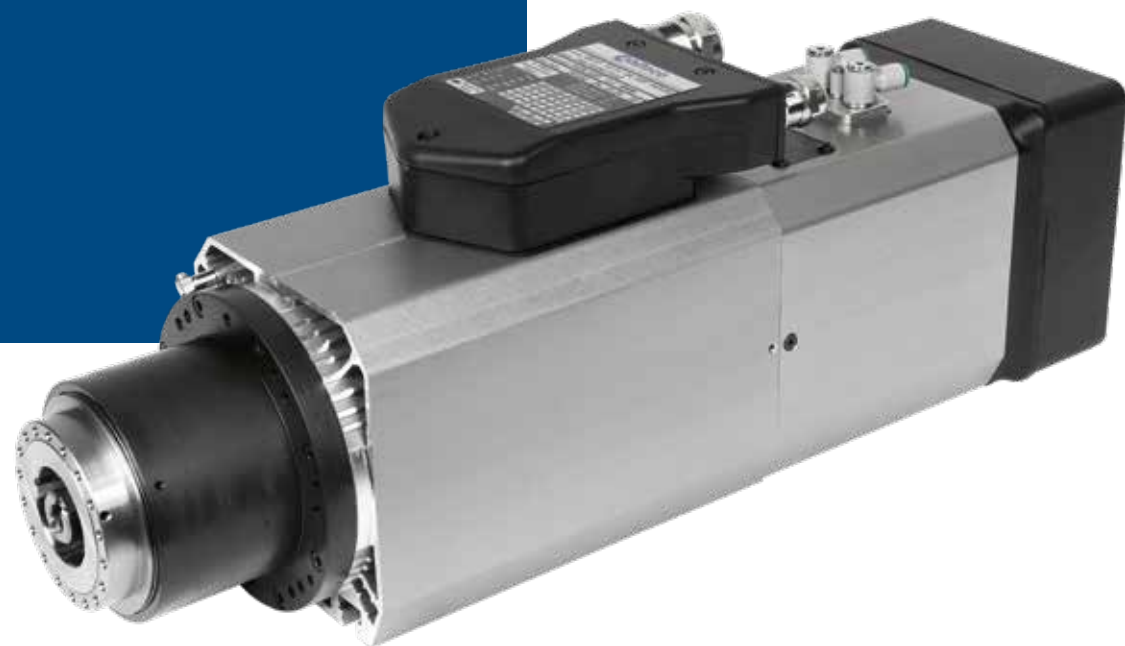
OPZIONALI
OPTIONALS

- Encoder 1 Vpp or TTL
- Voltage 220V
- CC circular connector Male
- Dual voltage 220V-380V
- CC circular connector Female (machine side)

PRESTAZIONI
PERFORMANCES



QE-1F 10/11 24 63F NC CB



SPECIFICHE TECNICHE
TECHNICAL SPECIFICATIONS

S1 kW 10	S6 kW 12
S1 Nm 10,8	S6 Nm 11,5
S1 A 25	S6 A 27
Volt 380	
Pol es 4	
Supply inverter	
rpm 24000	
kg 23	

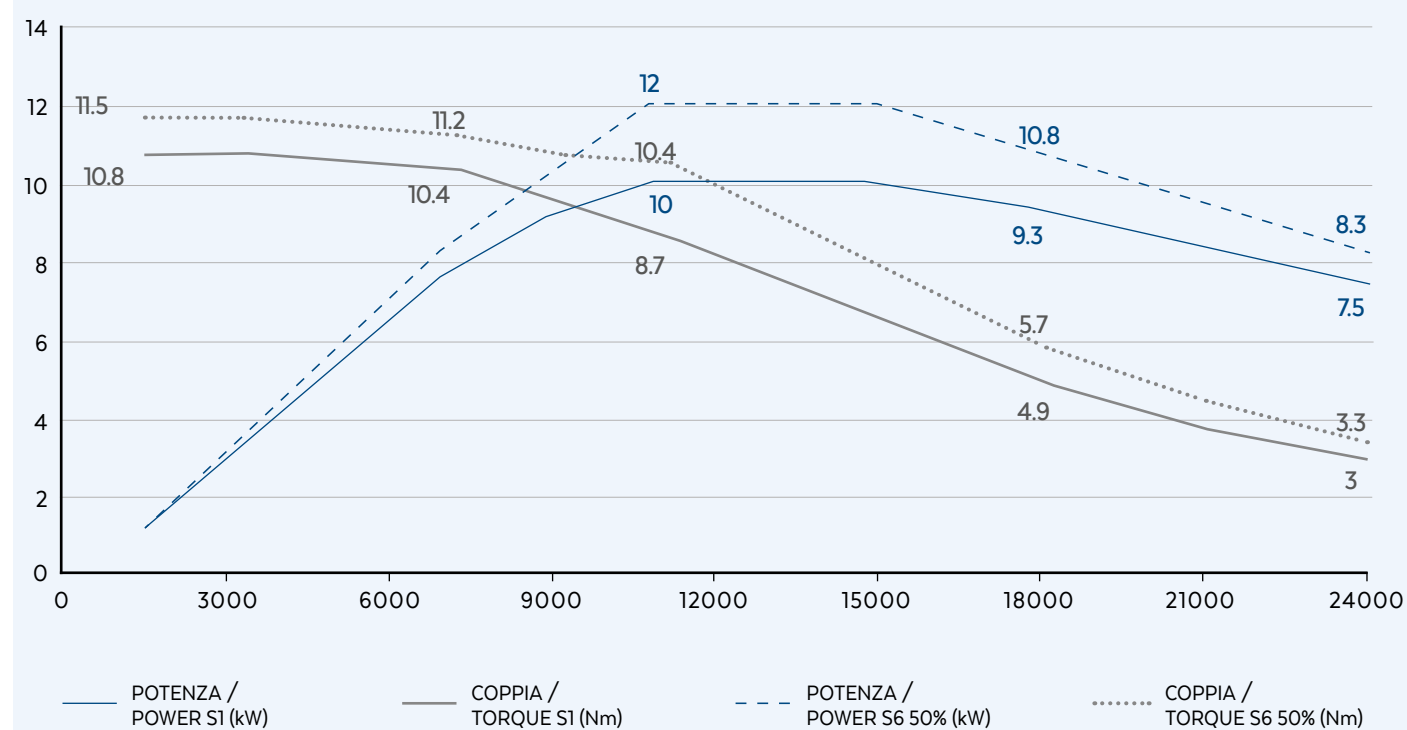
EQUIPAGGIAMENTO
EQUIPMENT

- HSK 63F
- Cuscinetti ceramici
Ceramic ball bearings
- Raffreddamento con elettroventola
Electrofan cooling

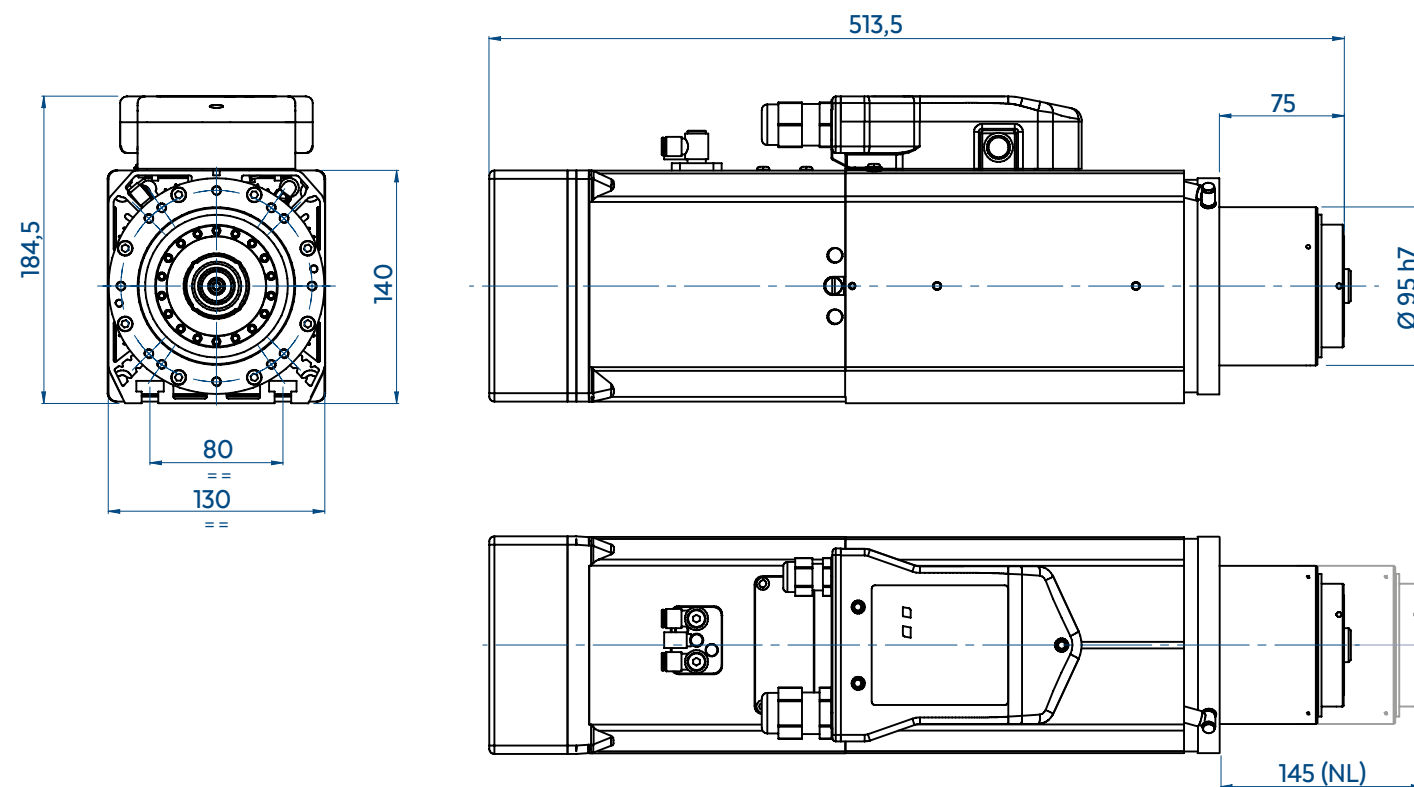
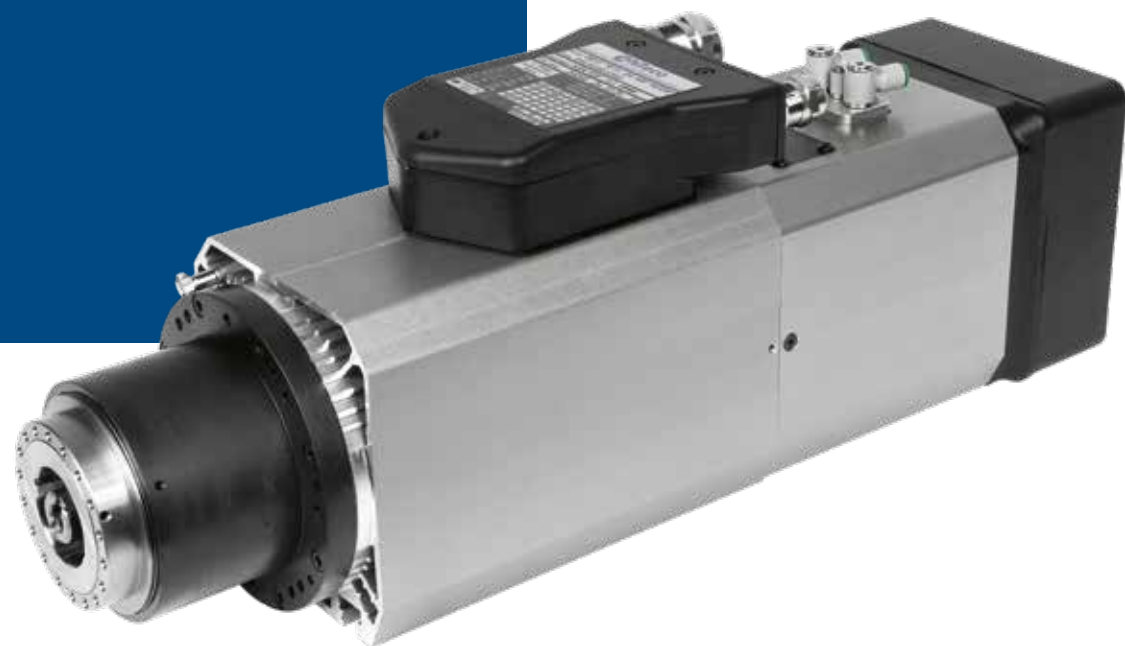
OPZIONALI
OPTIONALS

- Encoder 1 Vpp or TTL
- Voltage 220V
- CC circular connector Male
- Dual voltage 220V-380V
- CC circular connector Female (machine side)
- Air tool
- Naso lungo
Long nose

PRESTAZIONI
PERFORMANCES



QE-1F 12/12 24 63F NC CB



SPECIFICHE TECNICHE
TECHNICAL SPECIFICATIONS

S1 kW 12	S6 kW 14
S1 Nm 10,9	S6 Nm 11,6
S1 A 23	S6 A 27
Volt 380	
Pol es 4	
Supply inverter	
rpm 24000	
kg 23	

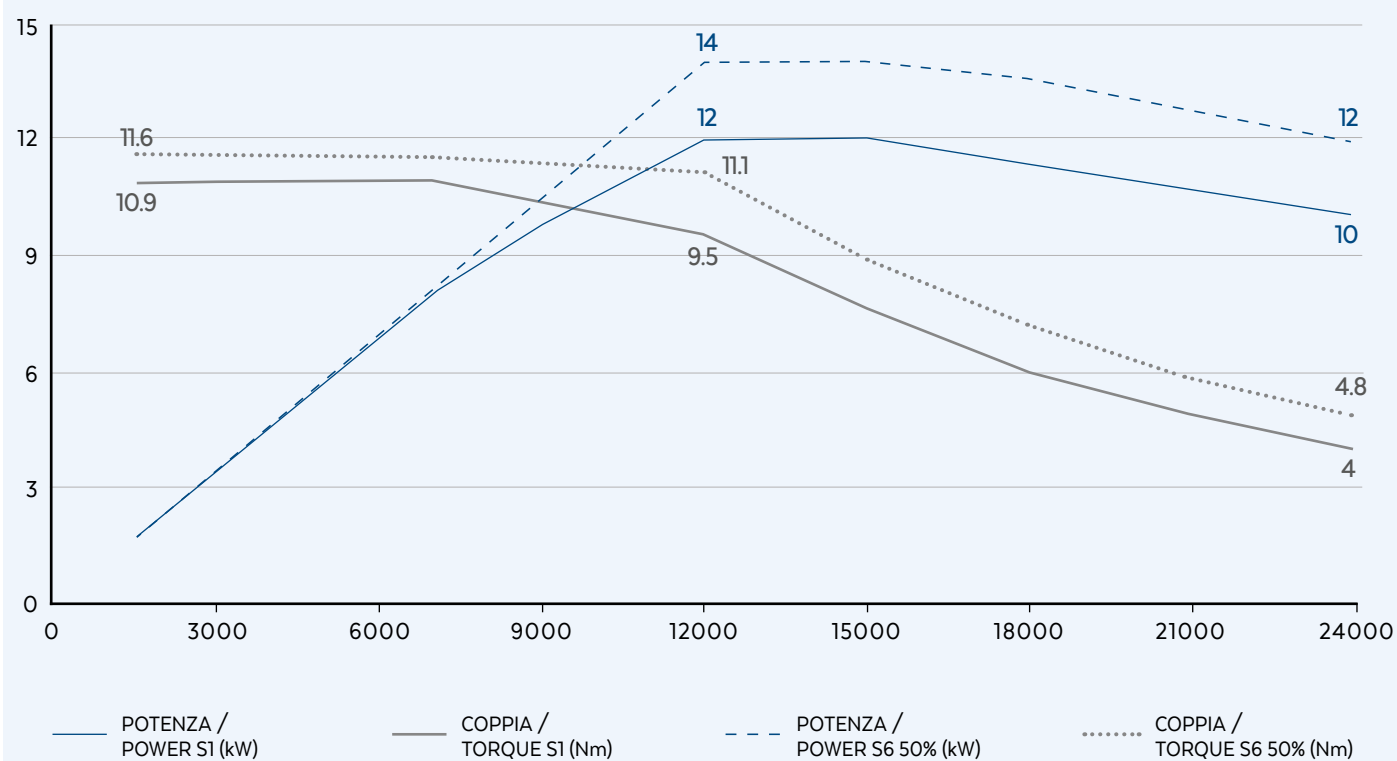
EQUIPAGGIAMENTO
EQUIPMENT

- HSK 63F
- Cuscinetti ceramici
Ceramic ball bearings
- Raffreddamento con elettroventola
Electrofan cooling

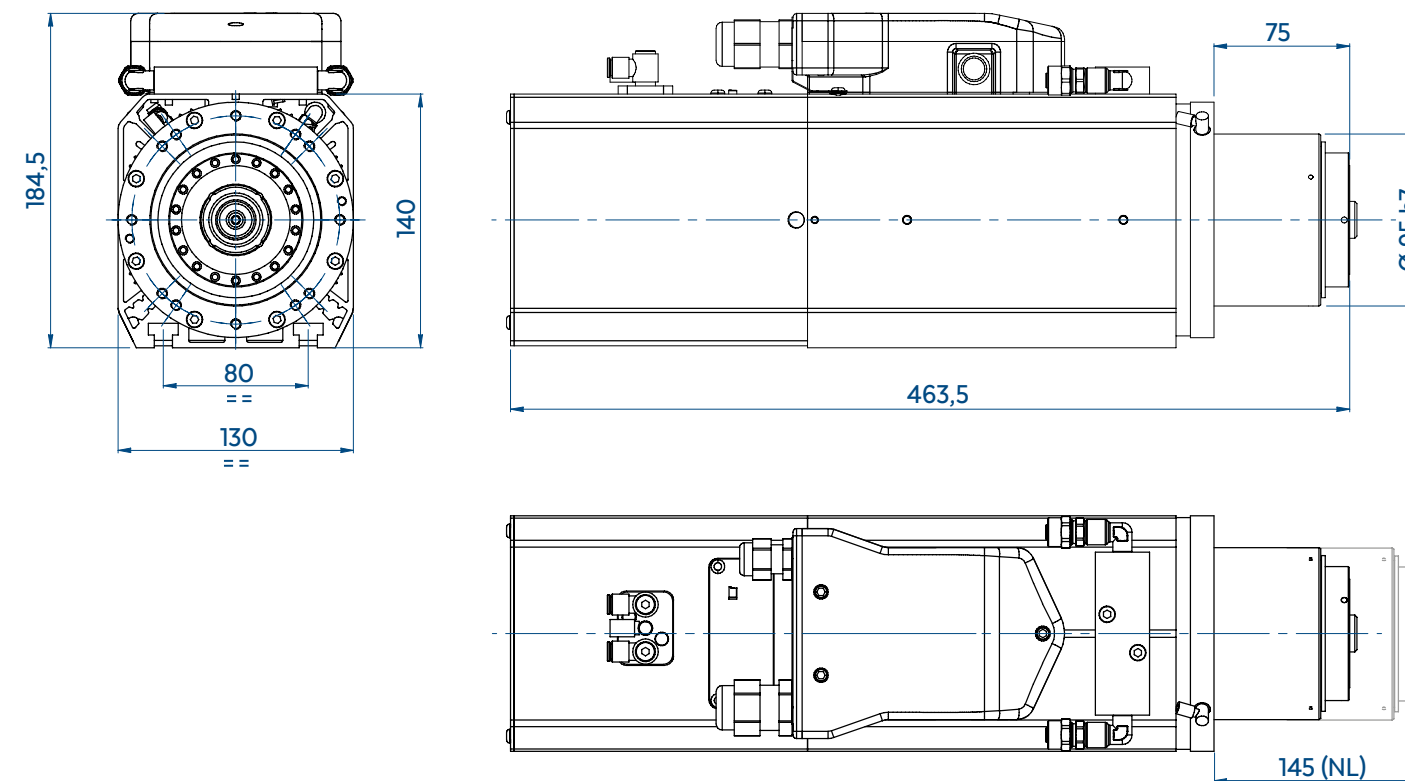
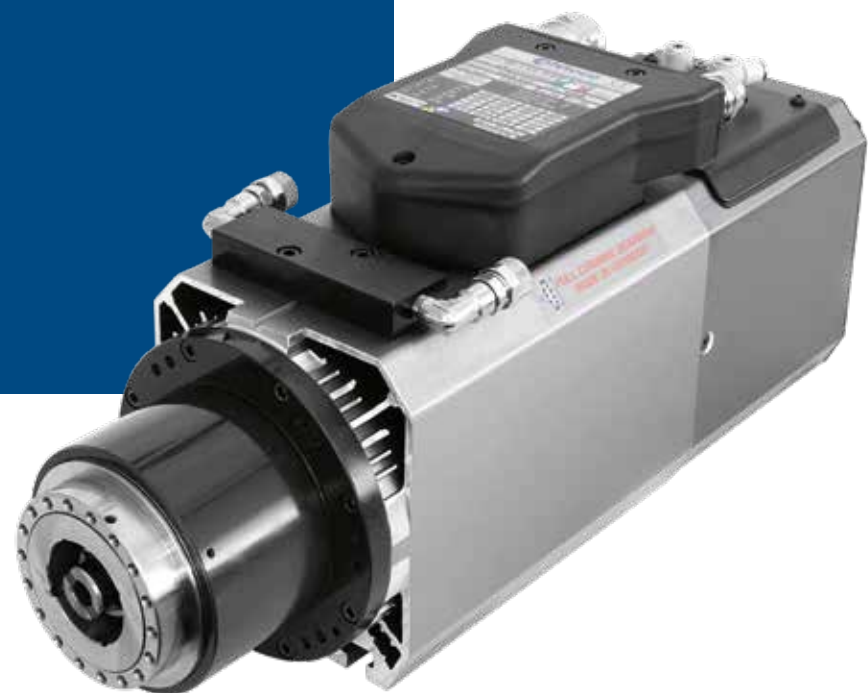
OPZIONALI
OPTIONALS

- Encoder 1 Vpp or TTL
- Air tool
- CC circular connector Male
- Naso lungo Long nose
- CC circular connector Female (machine side)

PRESTAZIONI
PERFORMANCES



QE-2 13/12 24 63F NC CB



SPECIFICHE TECNICHE TECHNICAL SPECIFICATIONS

S1 kW 13	S6 kW 15
S1 Nm 10,3	S6 Nm 11,9
S1 A 28	S6 A 31
Volt 380	
Pol es 4	
Supply inverter	
rpm 24000	
kg 23	

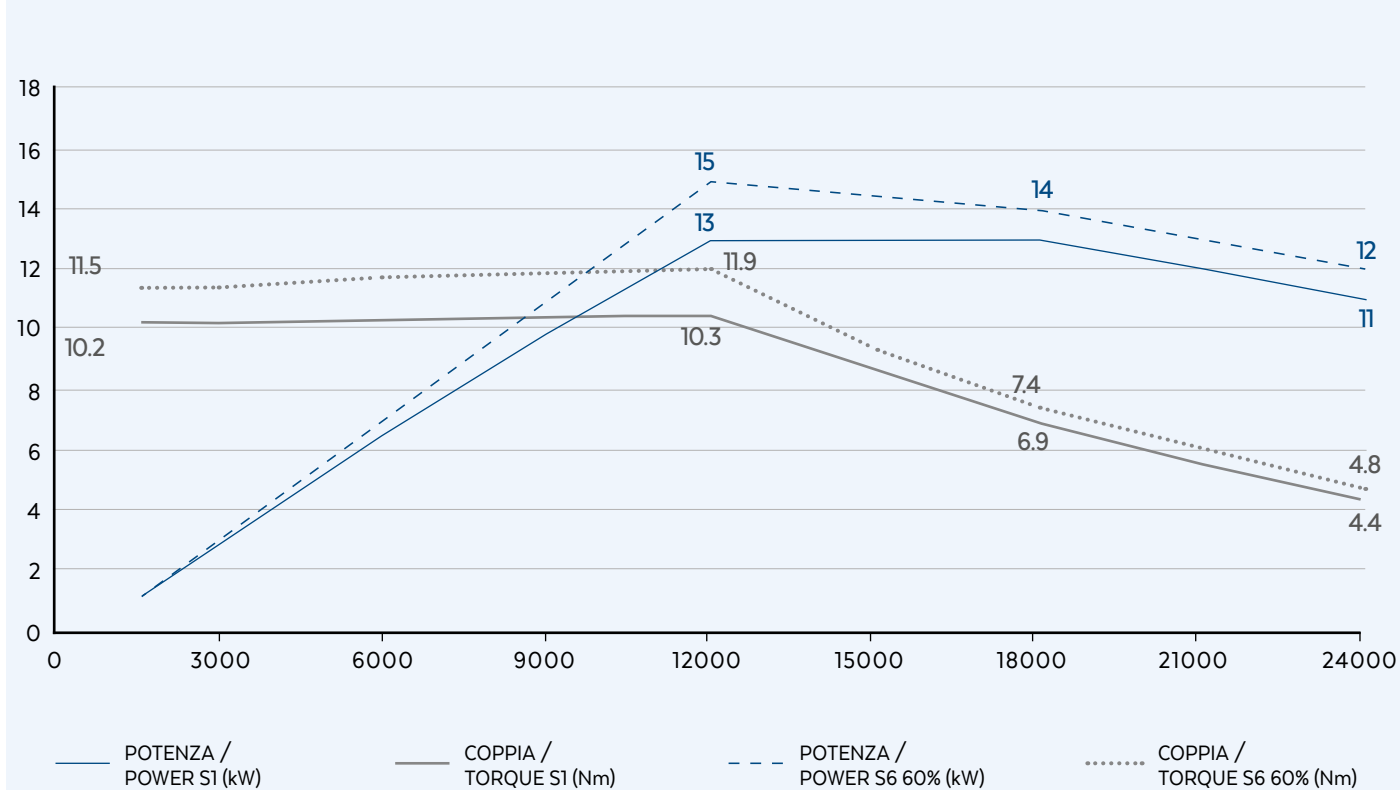
EQUIPAGGIAMENTO EQUIPMENT

- HSK 63F
- Cuscinetti ceramici
Ceramic ball bearings
- Raffreddamento liquido
Liquid cooling

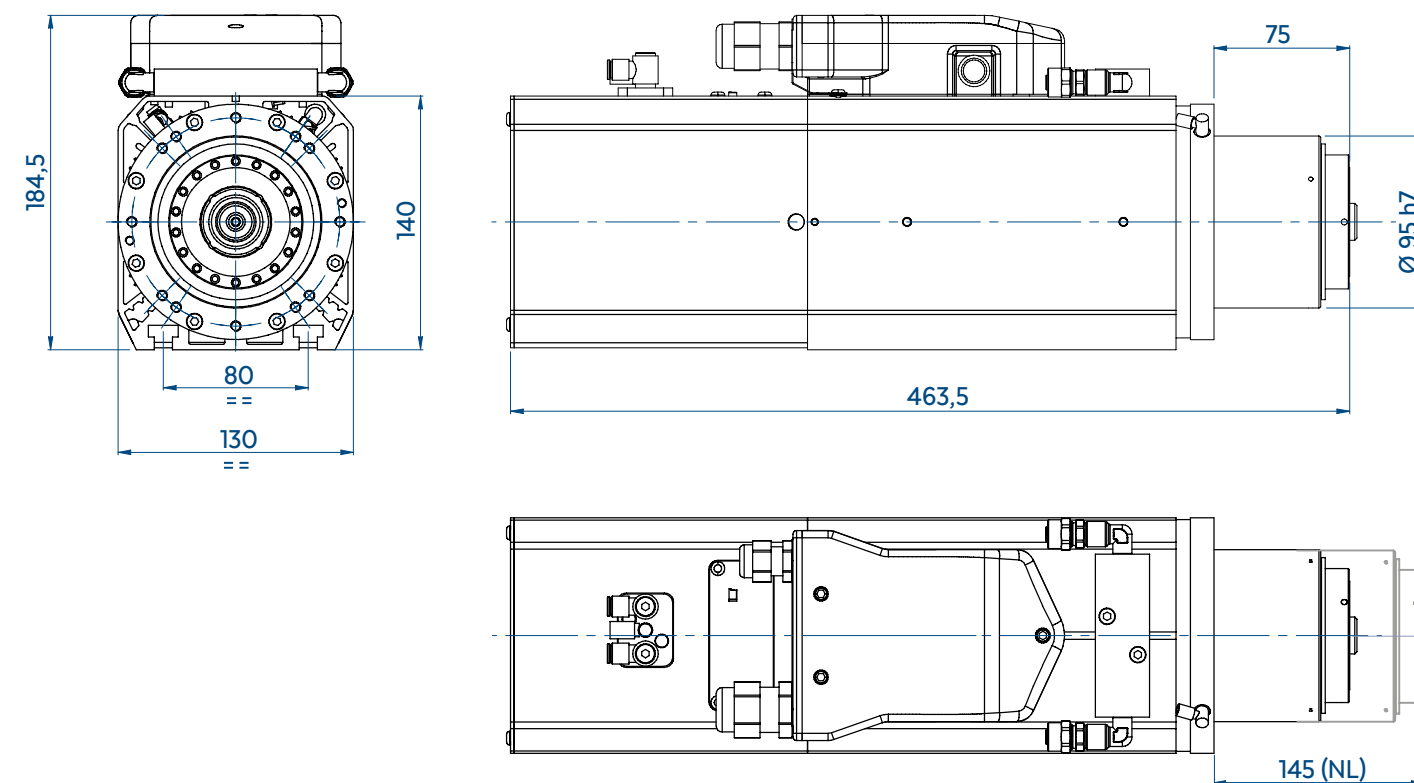
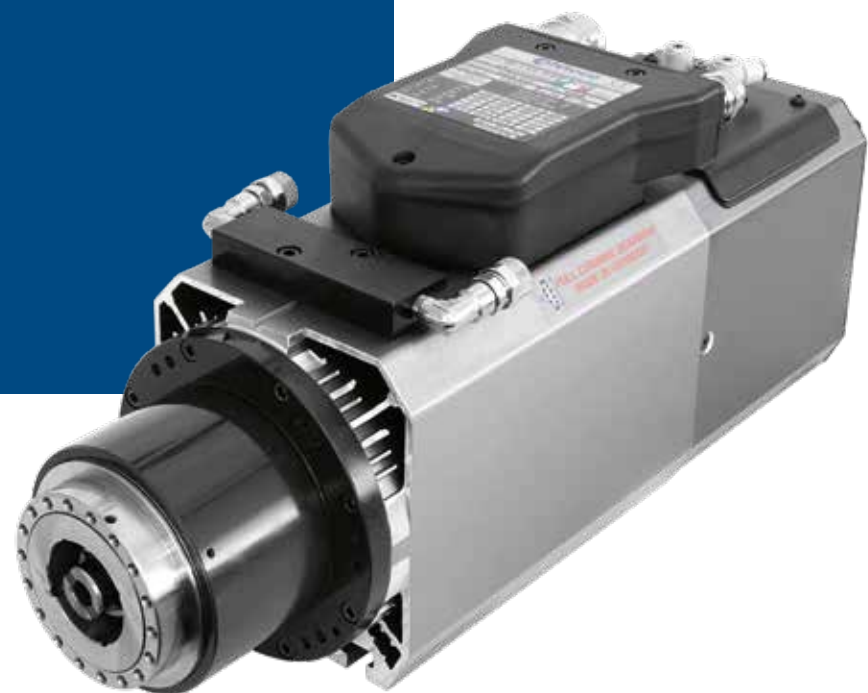
OPZIONALI OPTIONALS

- Encoder
1 Vpp or TTL
- Naso lungo
Long nose
- CC circular connector
Male
- Air tool
- CC circular connector
Female (machine side)

PRESTAZIONI PERFORMANCES



QE-2 16/12 24 63F NC CB



SPECIFICHE TECNICHE TECHNICAL SPECIFICATIONS

S1 kW 16	S6 kW 19,5
S1 Nm 12,7	S6 Nm 15,5
S1 A 31	S6 A 36
Volt 380	
Pol es 4	
Supply inverter	
rpm 24000	
kg 23	

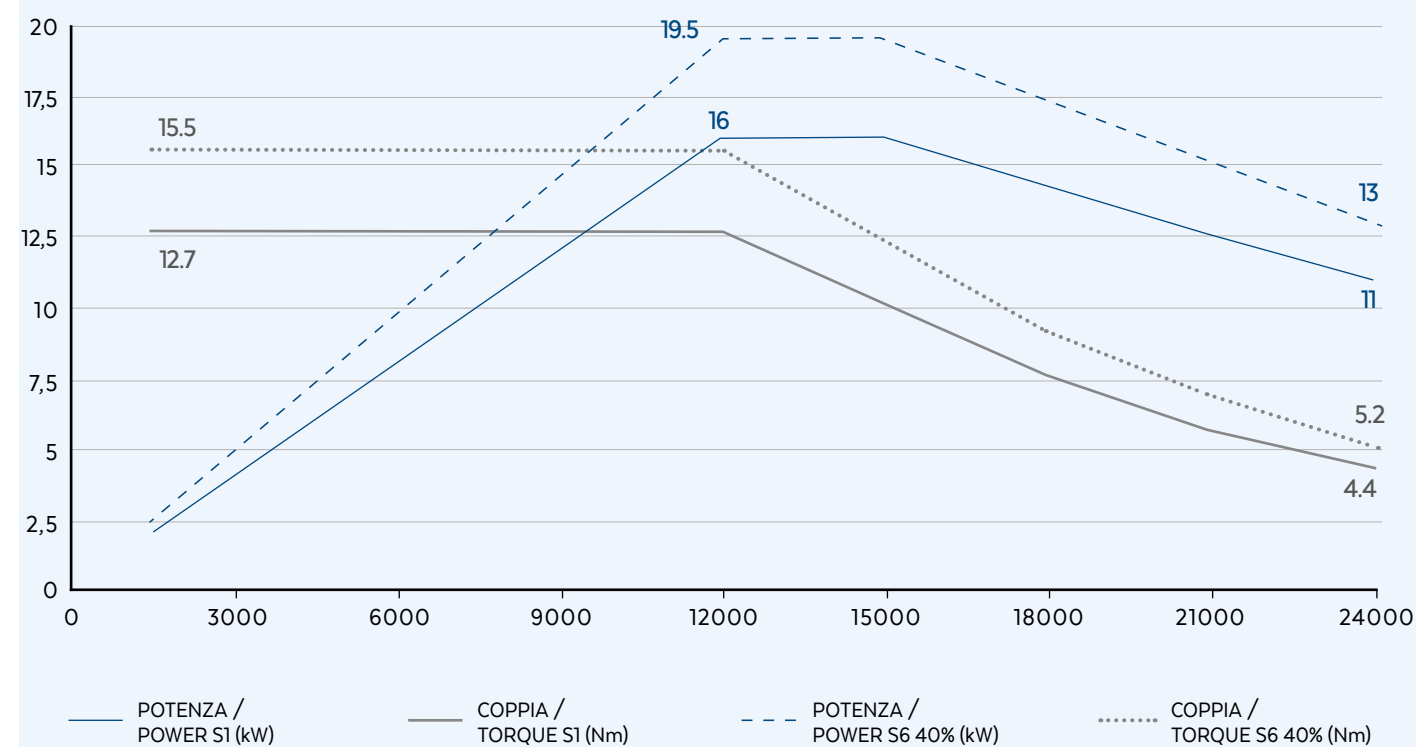
EQUIPAGGIAMENTO EQUIPMENT

- HSK 63F
- Cuscinetti ceramici
Ceramic ball bearings
- Raffreddamento liquido
Liquid cooling

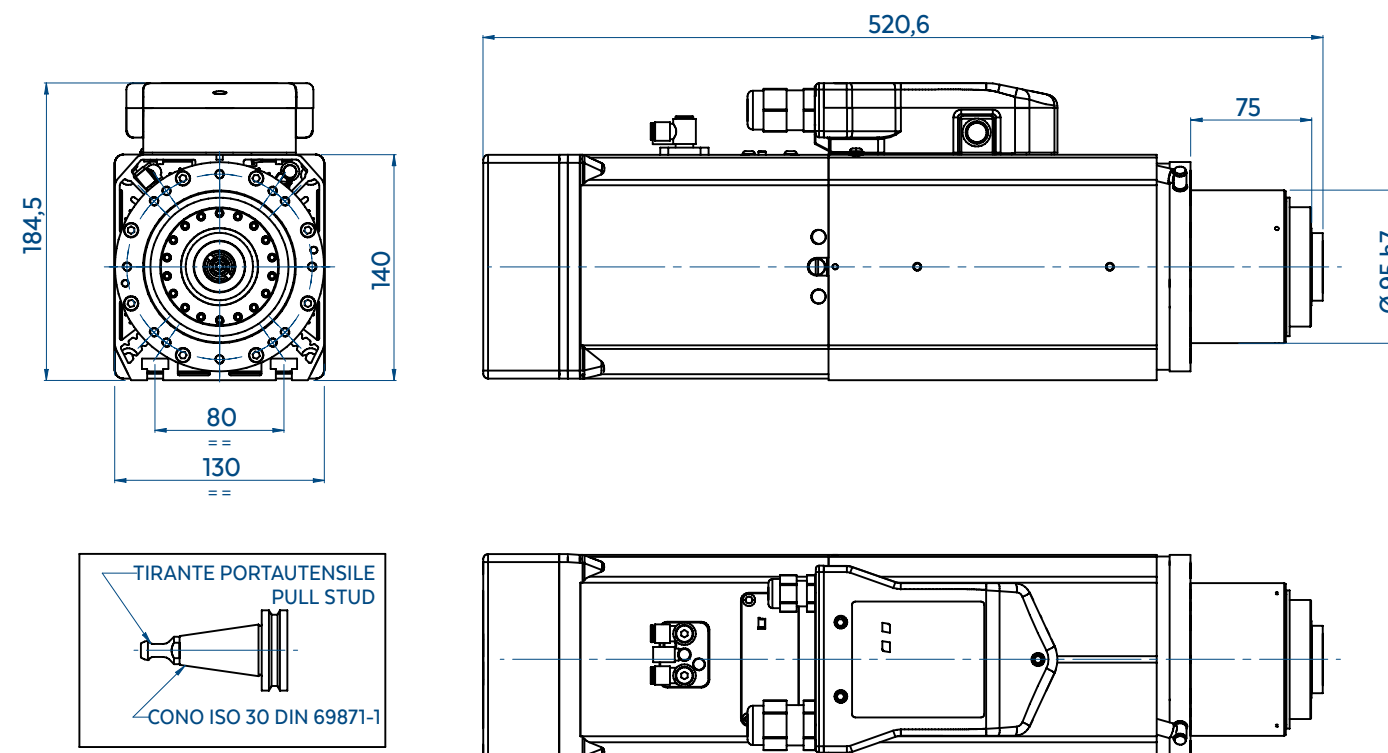
OPZIONALI OPTIONALS

- Encoder 1 Vpp or TTL
- Naso lungo
Long nose
- Plug & Play Male
- Air tool
- Plug & Play Female (machine side)

PRESTAZIONI PERFORMANCES



QE-1F 5.5/6 20 I30 NC CB



SPECIFICHE TECNICHE
TECHNICAL SPECIFICATIONS

S1 kW 5,5	S6 kW 6,6
S1 Nm 8,8	S6 Nm 10,5
S1 A 12	S6 A 13
Volt 380	
Pol es 4	
Supply inverter	
rpm 20000	
kg 24	

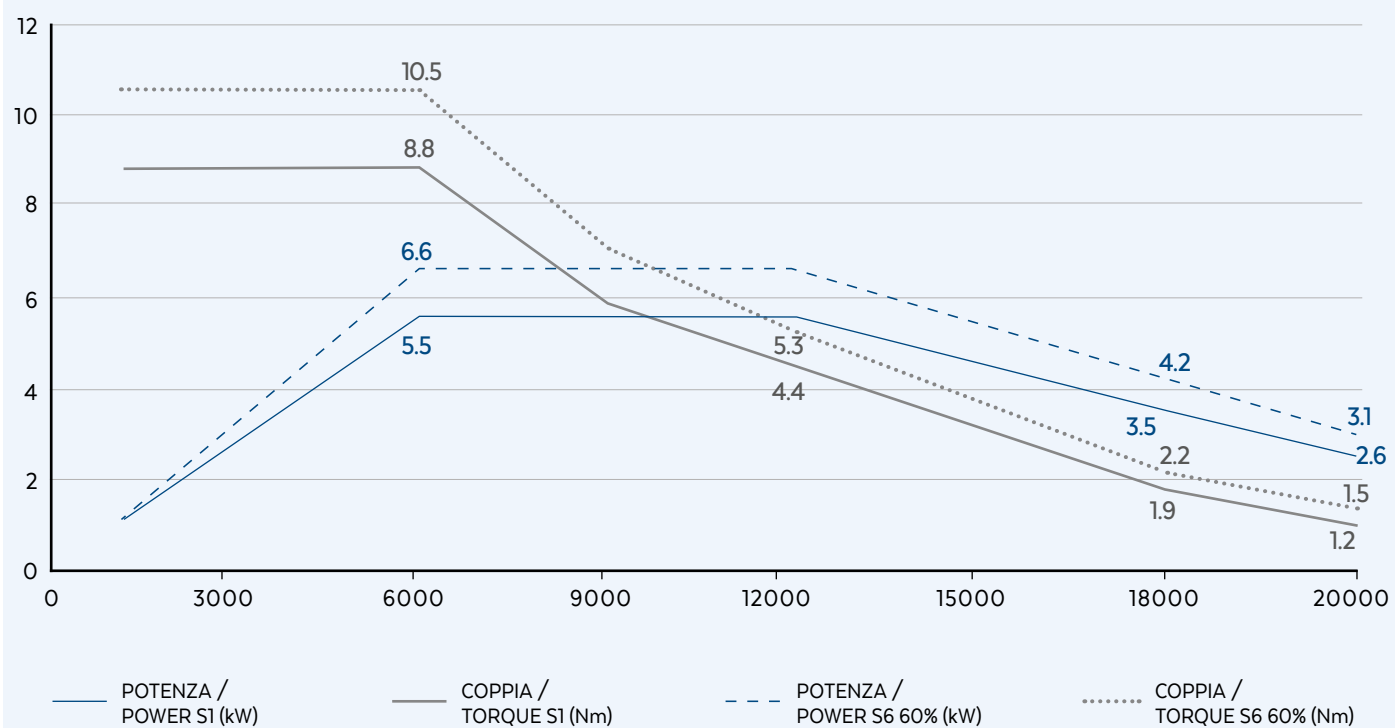
EQUIPAGGIAMENTO
EQUIPMENT

- ISO 30
- Cuscinetti ceramici
Ceramic ball bearings
- Raffreddamento con elettroventola
Electrofan cooling

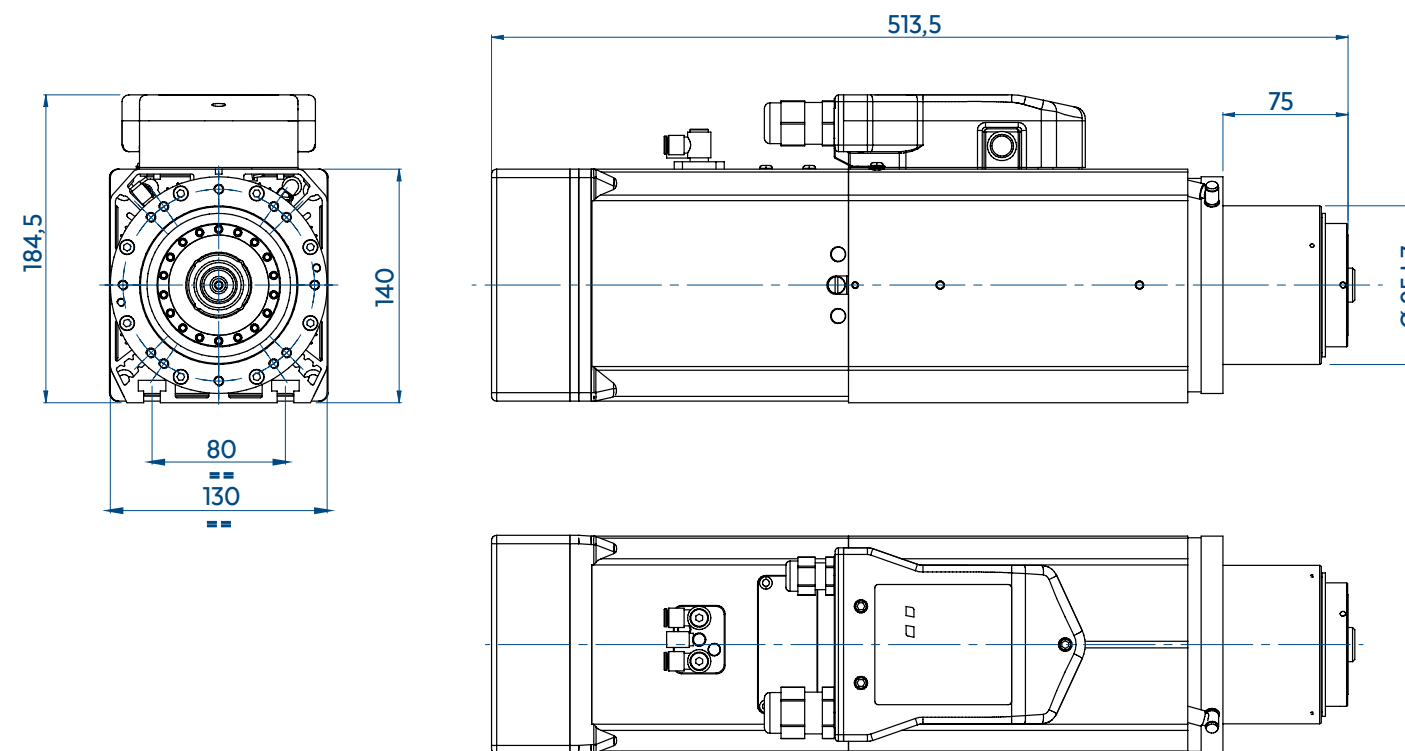
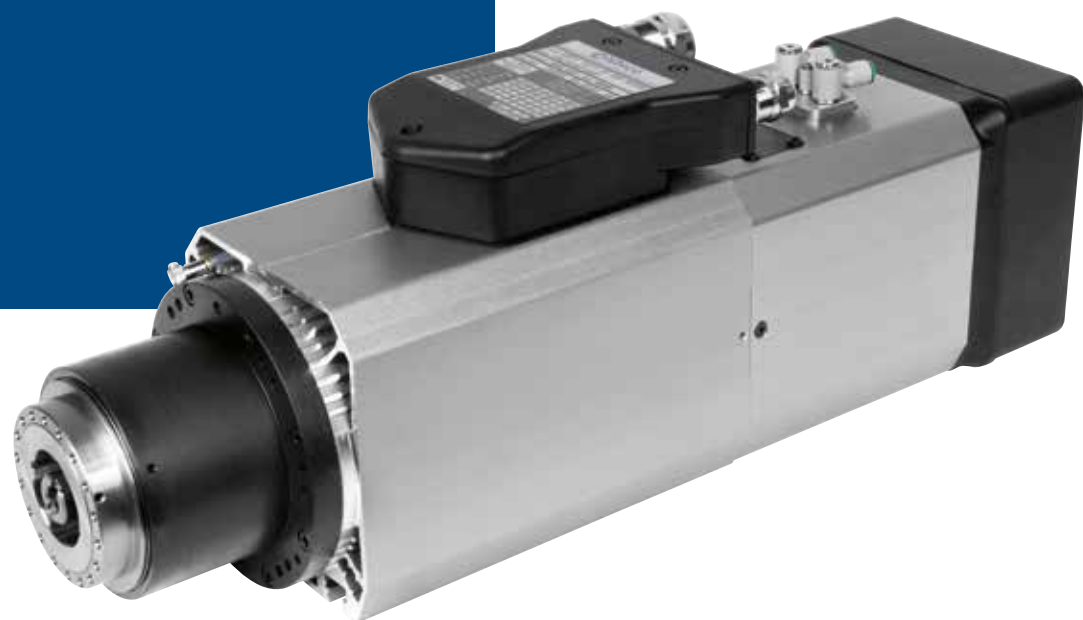
OPZIONALI
OPTIONALS

- Encoder 1 Vpp or TTL
- CC circular connector Male
- CC circular connector Female (machine side)

PRESTAZIONI
PERFORMANCES



QE-1F 5.5/6 20 63F NC CB



SPECIFICHE TECNICHE
TECHNICAL SPECIFICATIONS

S1 kW 5,5	S6 kW 6,6
S1 Nm 8,8	S6 Nm 10,5
S1 A 12	S6 A 13
Volt 380	
Pol es 4	
Supply inverter	
rpm 20000	
kg 24	

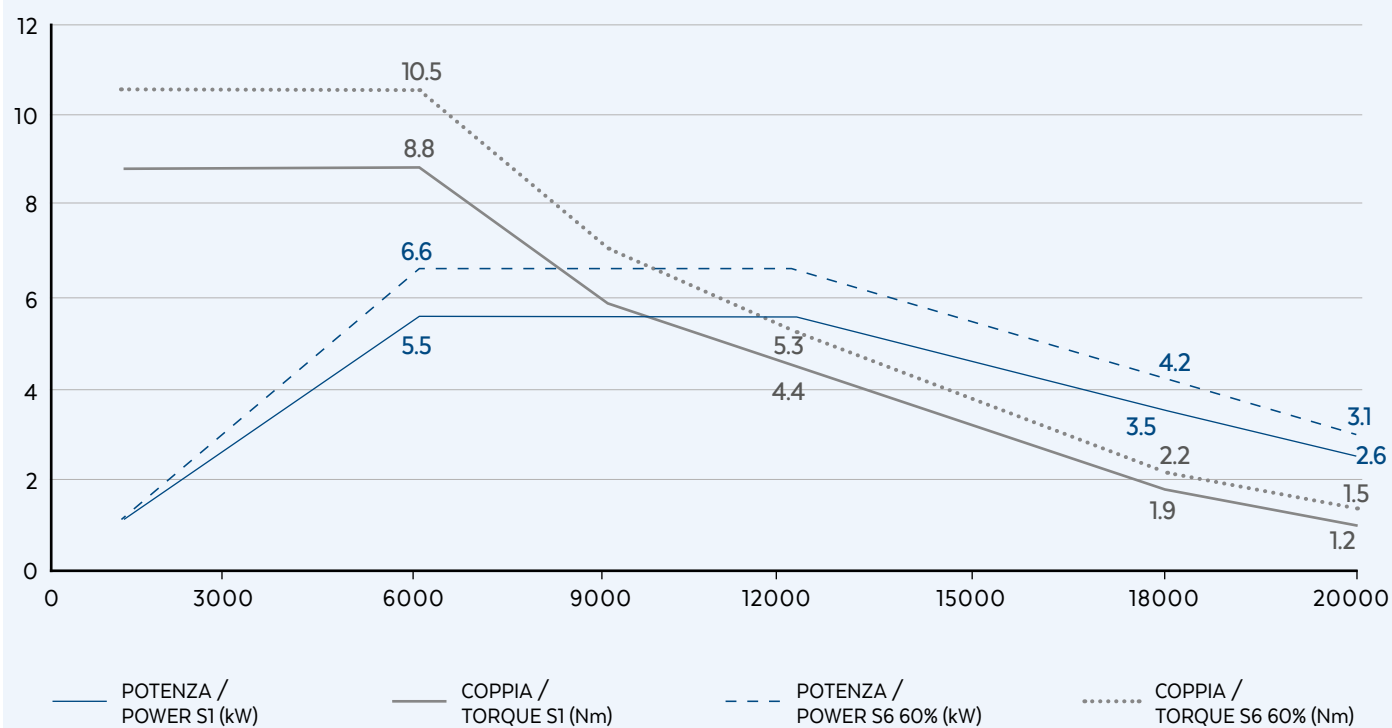
EQUIPAGGIAMENTO
EQUIPMENT

- HSK 63F
- Cuscinetti ceramici
Ceramic ball bearings
- Raffreddamento con elettroventola
Electrofan cooling

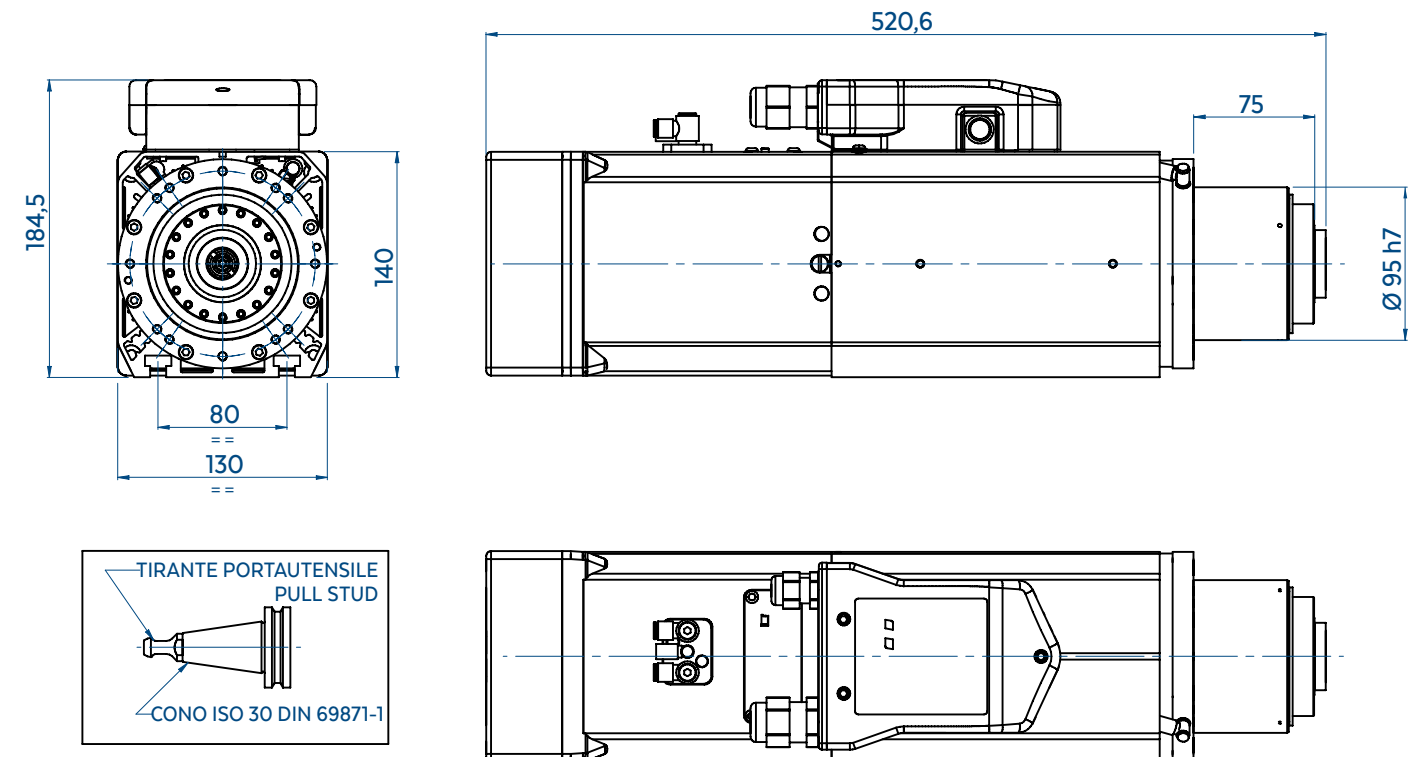
OPZIONALI
OPTIONALS

- Encoder 1 Vpp or TTL
- Air tool
- CC circular connector Male
- CC circular connector Female (machine side)

PRESTAZIONI
PERFORMANCES



QE-1F 7.5/6 24 I30 NC CB



SPECIFICHE TECNICHE
TECHNICAL SPECIFICATIONS

S1 kW 7,5	S6 kW 8,5
S1 Nm 11,9	S6 Nm 13,5
S1 A 19,5	S6 A 21,5
Volt 380	
Pol es 4	
Supply inverter	
rpm 24000	
kg 24	

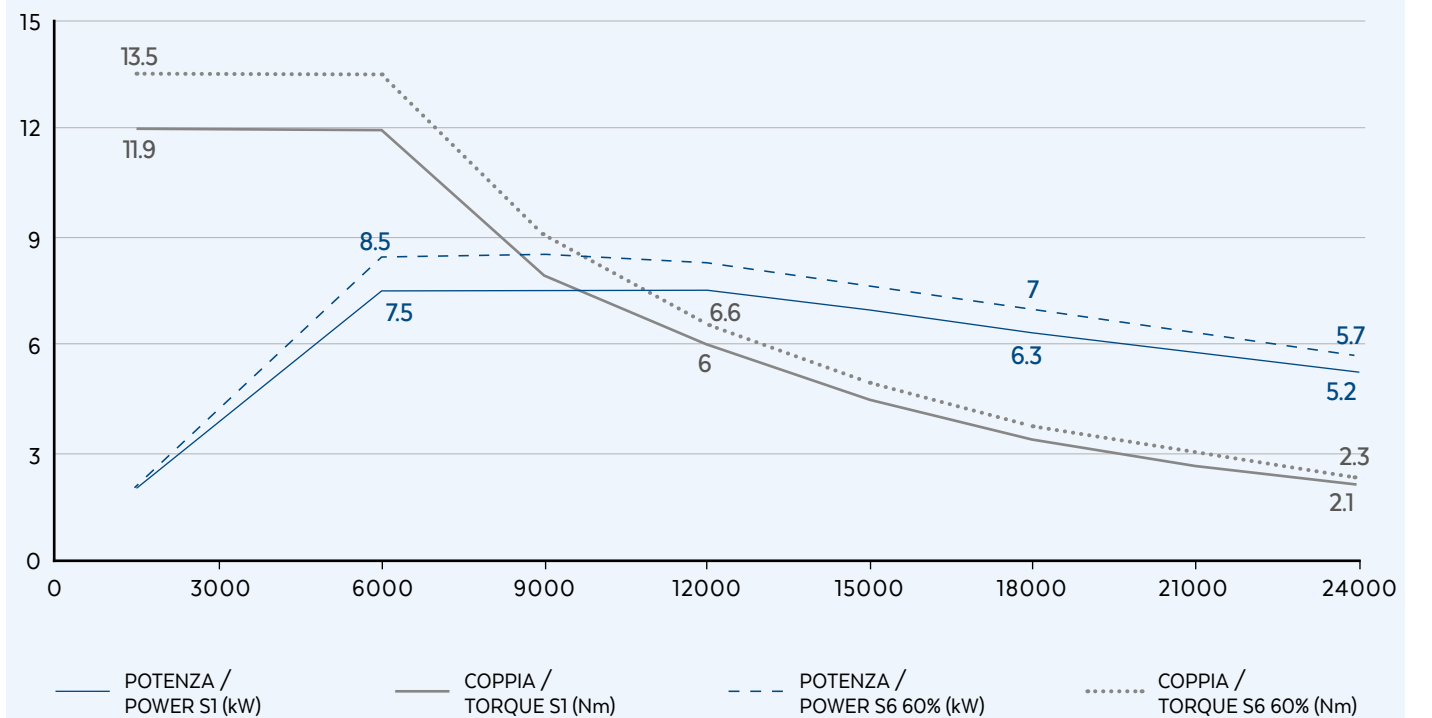
EQUIPAGGIAMENTO
EQUIPMENT

- ISO 30
- Cuscinetti ceramici
Ceramic ball bearings
- Raffreddamento con elettroventola
Electrofan cooling

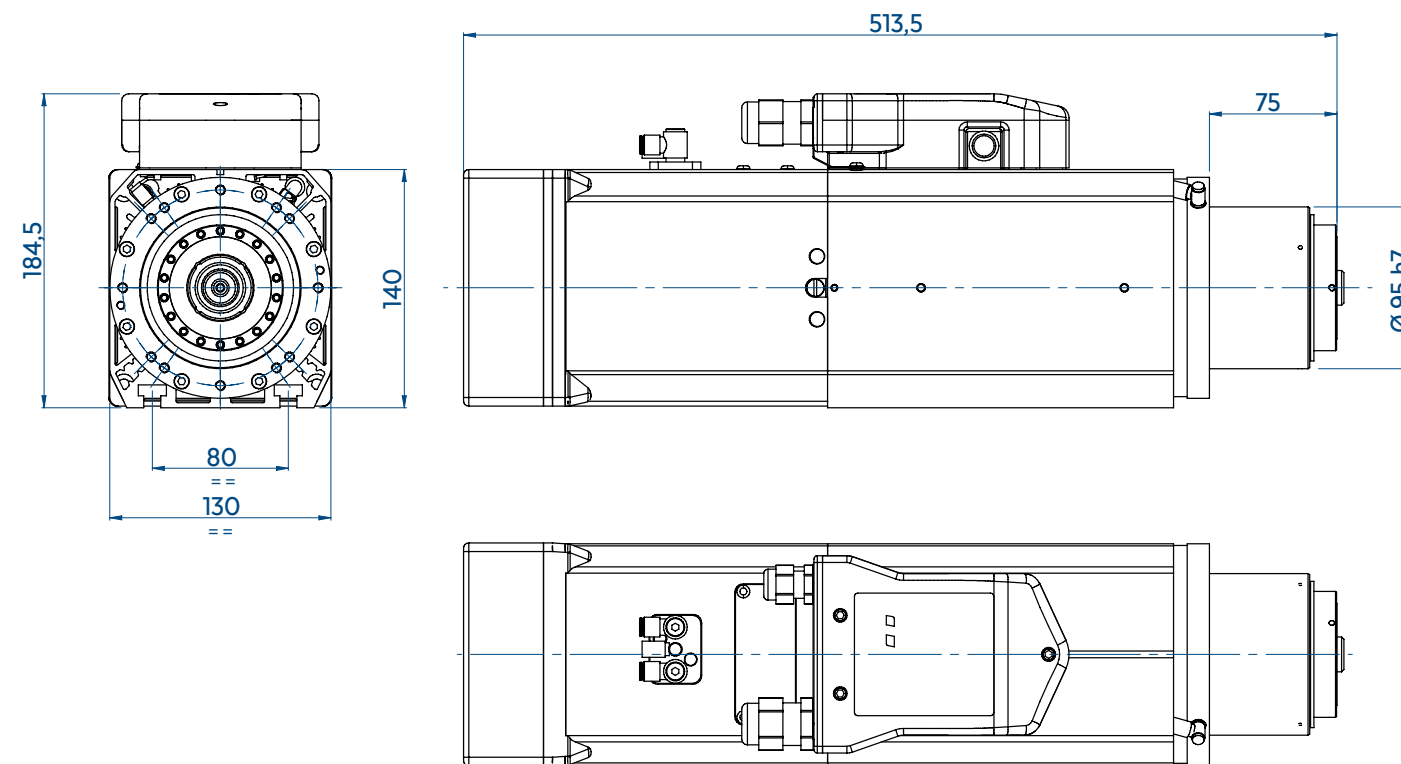
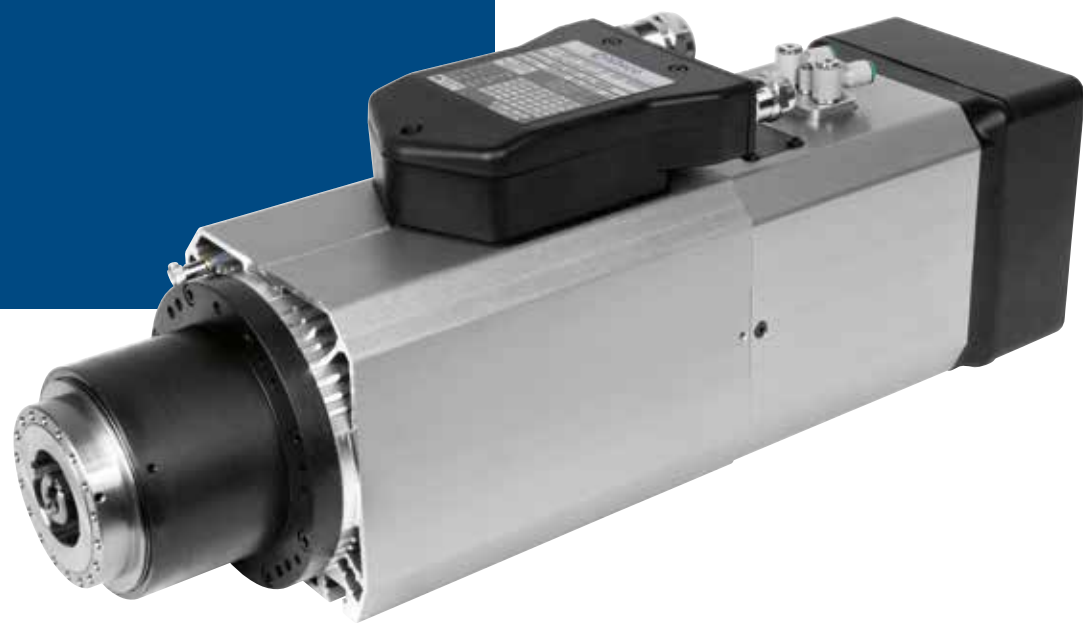
OPZIONALI
OPTIONALS

- Encoder 1 Vpp or TTL
- CC circular connector Male
- CC circular connector Female (machine side)

PRESTAZIONI
PERFORMANCES



QE-1F 7.5/6 24 63F NC CB



SPECIFICHE TECNICHE
TECHNICAL SPECIFICATIONS

S1 kW 7,5	S6 kW 8,5
S1 Nm 11,9	S6 Nm 13,5
S1 A 19,5	S6 A 21,5
Volt 380	
Pol es 4	
Supply inverter	
rpm 24000	
kg 24	

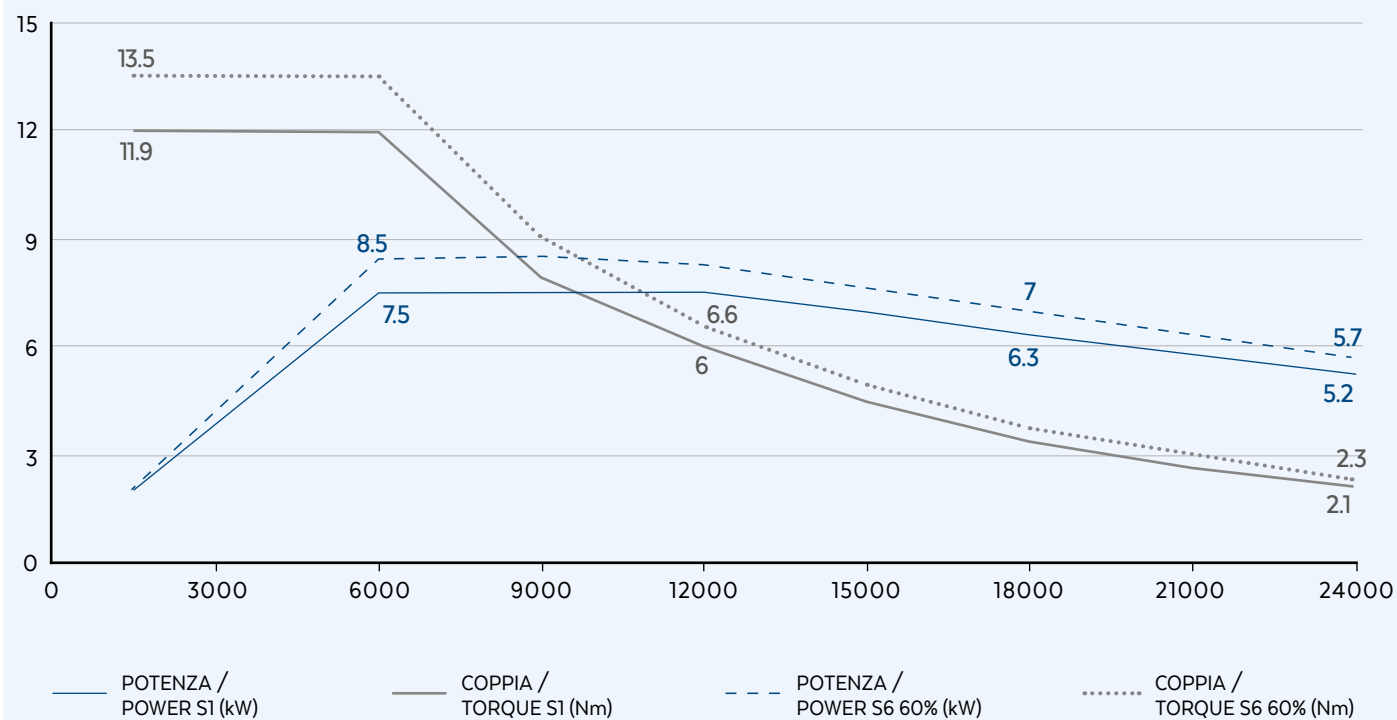
EQUIPAGGIAMENTO
EQUIPMENT

- HSK 63F
- Cuscinetti ceramici
Ceramic ball bearings
- Raffreddamento con elettroventola
Electrofan cooling

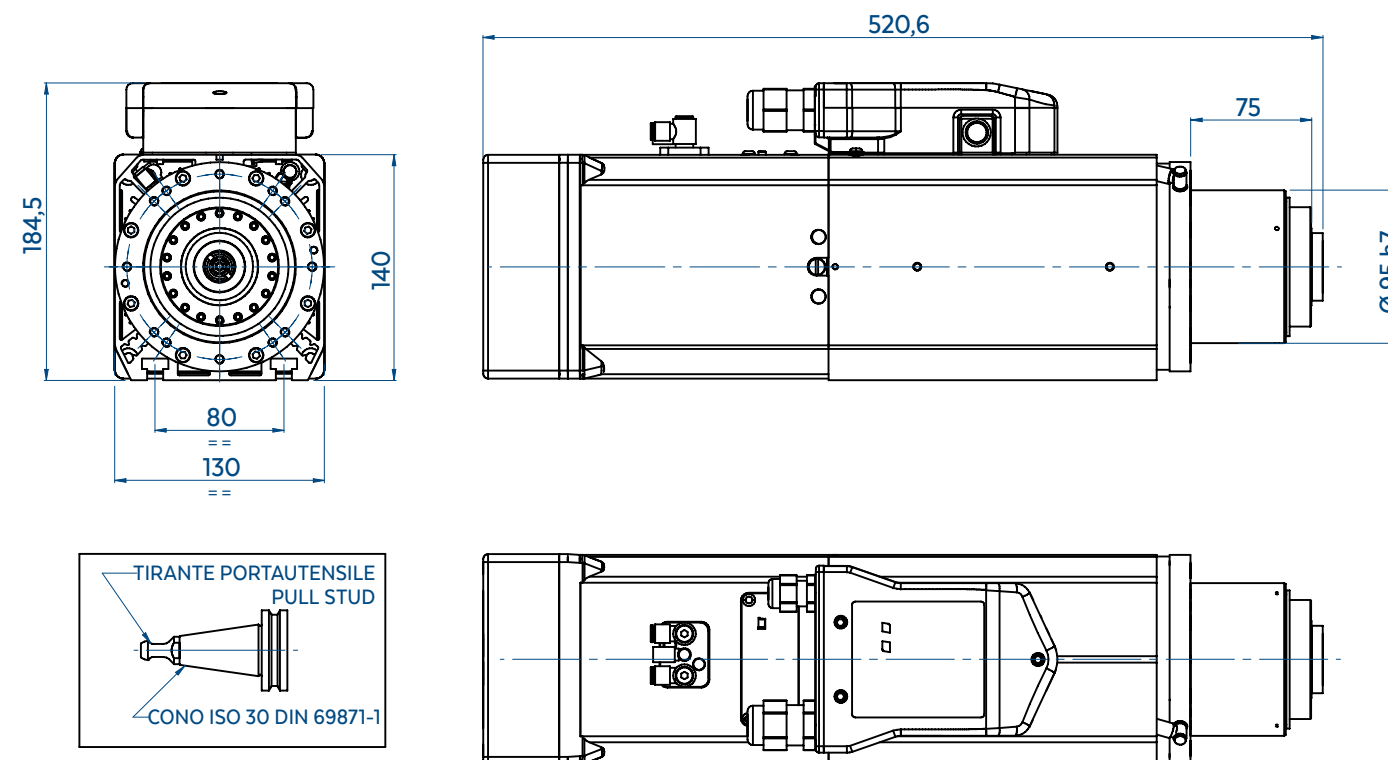
OPZIONALI
OPTIONALS

- Encoder 1 Vpp or TTL
- Air tool
- CC circular connector Male
- CC circular connector Female (machine side)

PRESTAZIONI
PERFORMANCES



QE-1F 8.5/6 24 I30 NC CB



SPECIFICHE TECNICHE
TECHNICAL SPECIFICATIONS

S1 kW 8,5	S6 kW 10,5
S1 Nm 13,5	S6 Nm 16,7
S1 A 20	S6 A 25
Volt 380	
Pol es 4	
Supply inverter	
rpm 24000	
kg 24	

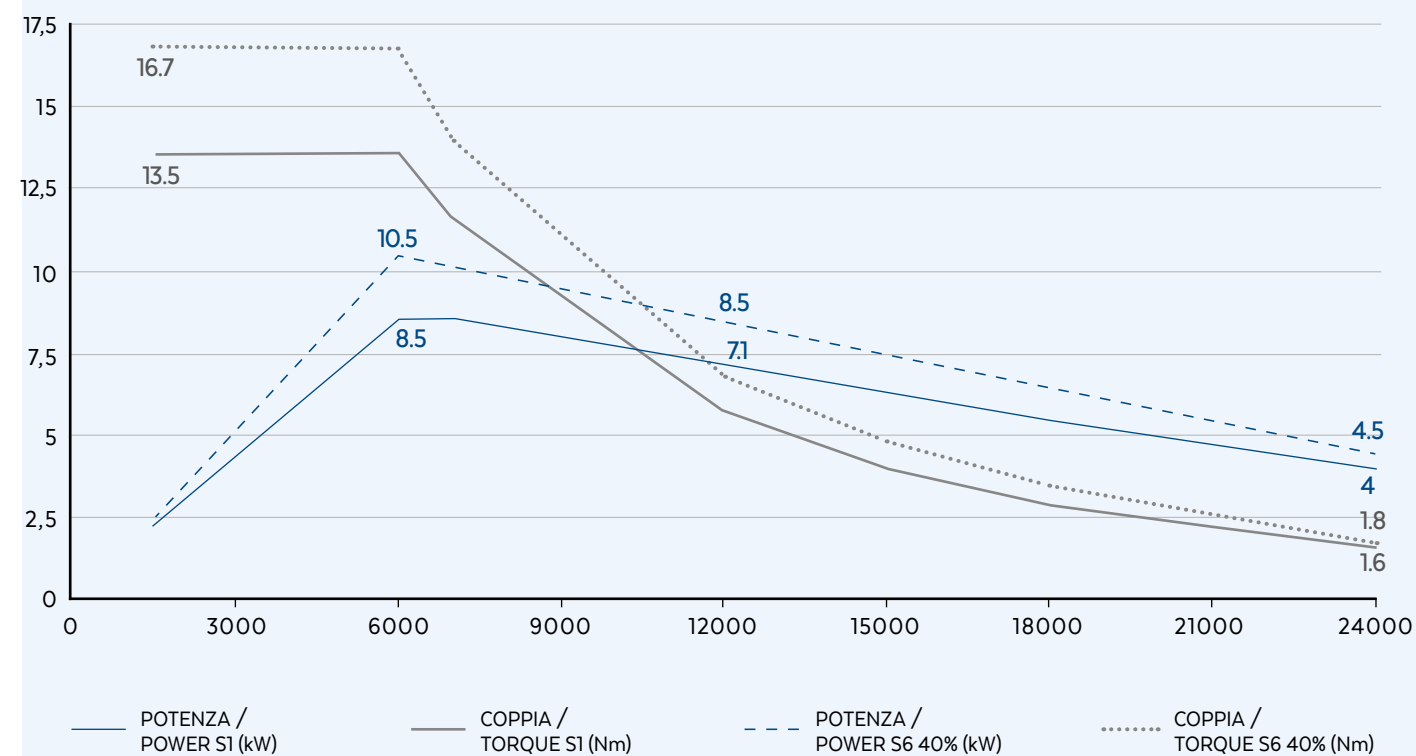
EQUIPAGGIAMENTO
EQUIPMENT

- ISO 30
- Cuscinetti ceramici
Ceramic ball bearings
- Raffreddamento con elettroventola
Electrofan cooling

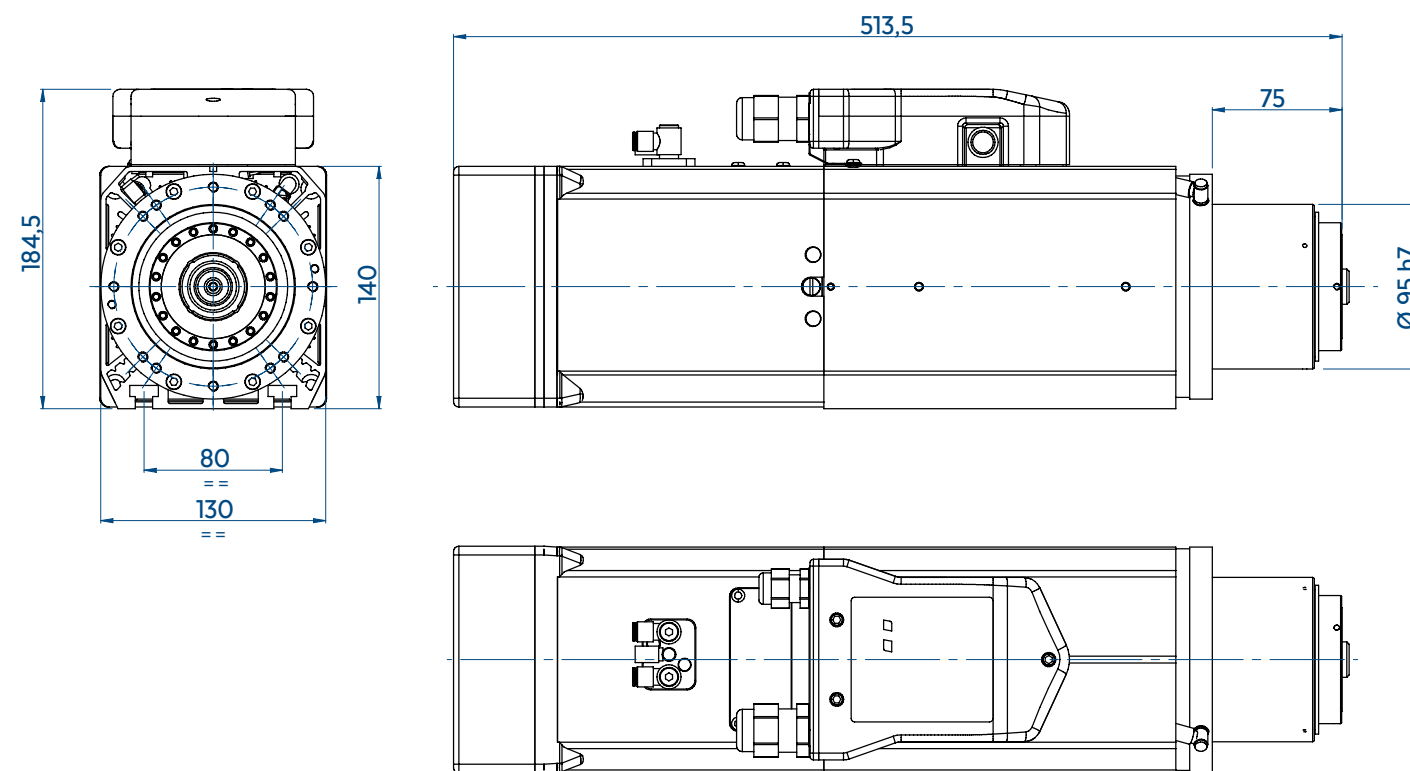
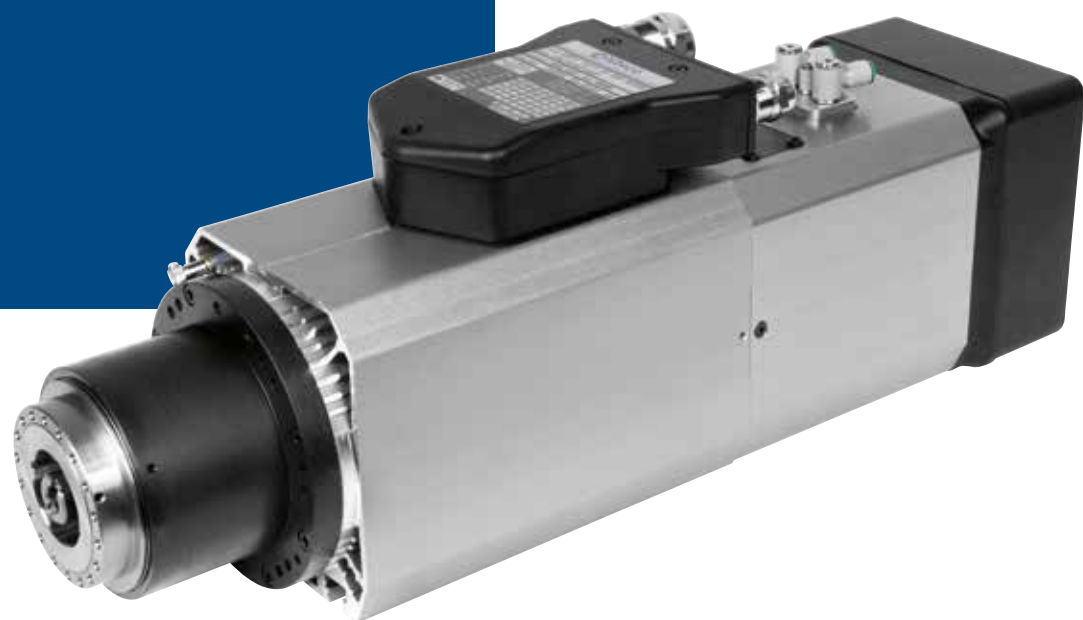
OPZIONALI
OPTIONALS

- Encoder 1 Vpp or TTL
- CC circular connector Male
- CC circular connector Female (machine side)

PRESTAZIONI
PERFORMANCES



QE-1F 8.5/6 24 63F NC CB



SPECIFICHE TECNICHE
TECHNICAL SPECIFICATIONS

S1 kW 8,5	S6 kW 10,5
S1 Nm 13,5	S6 Nm 16,7
S1 A 20	S6 A 25
Volt 380	
Pol es 4	
Supply inverter	
rpm 24000	
kg 24	

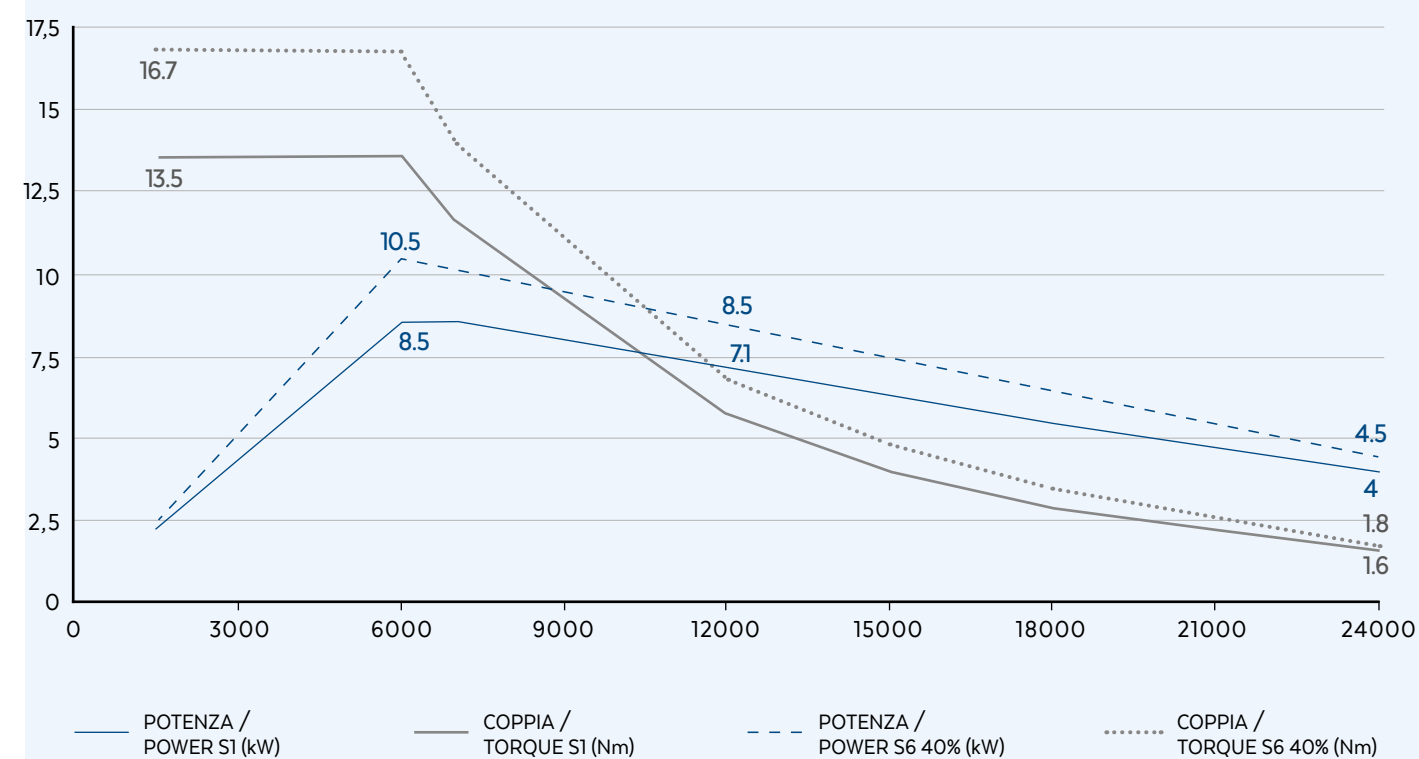
EQUIPAGGIAMENTO
EQUIPMENT

- HSK 63F
- Cuscinetti ceramici
Ceramic ball bearings
- Raffreddamento con elettroventola
Electrofan cooling

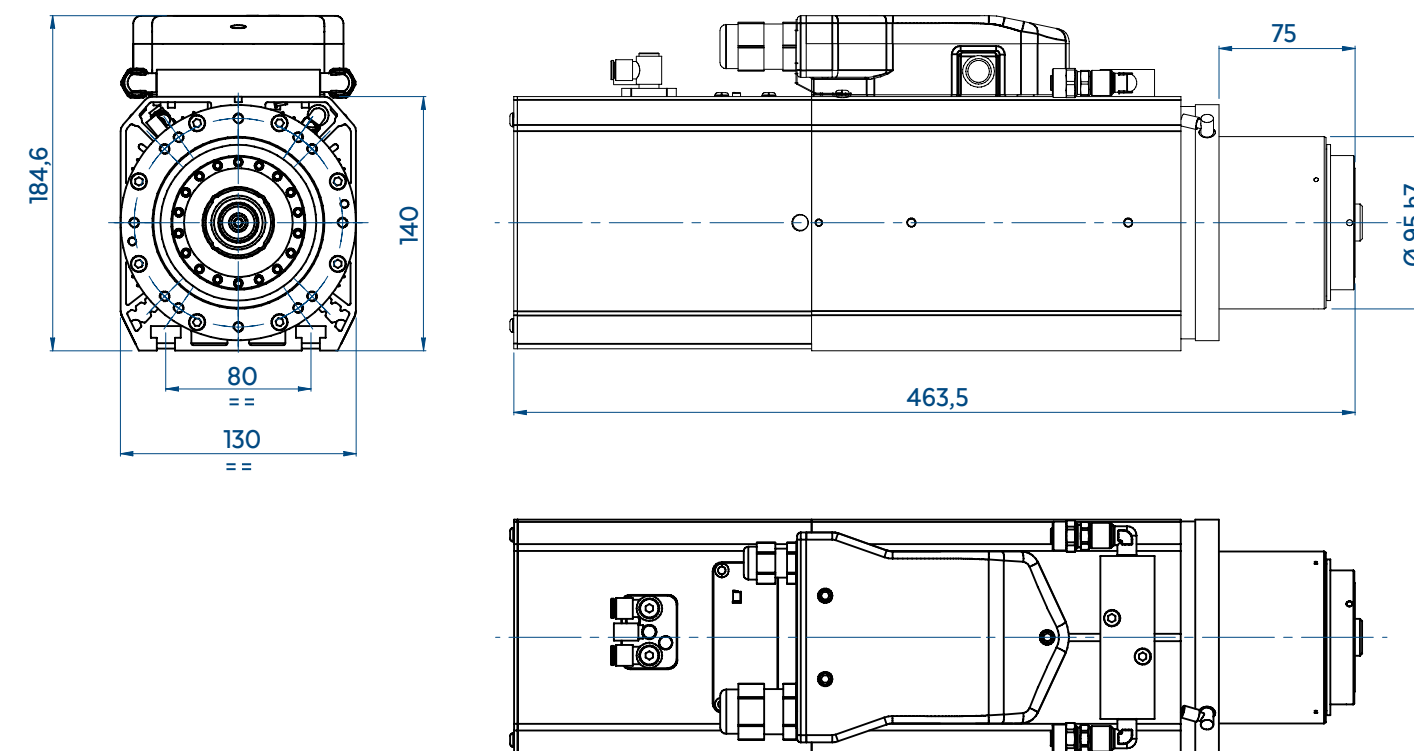
OPZIONALI
OPTIONALS

- Encoder 1 Vpp or TTL
- Air tool
- CC circular connector Male
- CC circular connector Female (machine side)

PRESTAZIONI
PERFORMANCES



QE-2 9/6 24 63F NC CB



SPECIFICHE TECNICHE TECHNICAL SPECIFICATIONS

S1 kW 9	S6 kW 10,5
S1 Nm 14	S6 Nm 16,4
S1 A 20	S6 A 22,5
Volt 380	
Pol es 4	
Supply inverter	
rpm 24000	
kg 23	

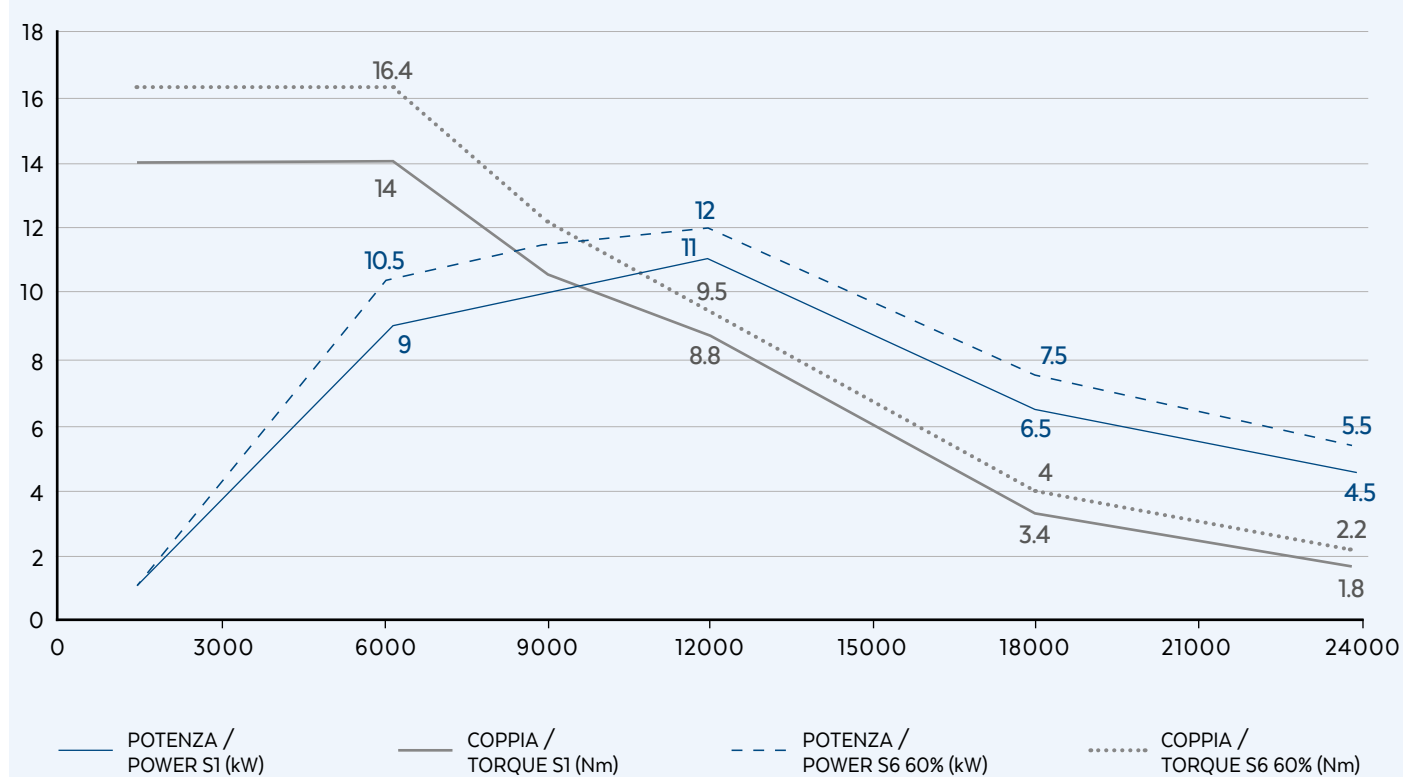
EQUIPAGGIAMENTO EQUIPMENT

- HSK 63F
- Cuscinetti ceramici
Ceramic ball bearings
- Raffreddamento liquido
Liquid cooling

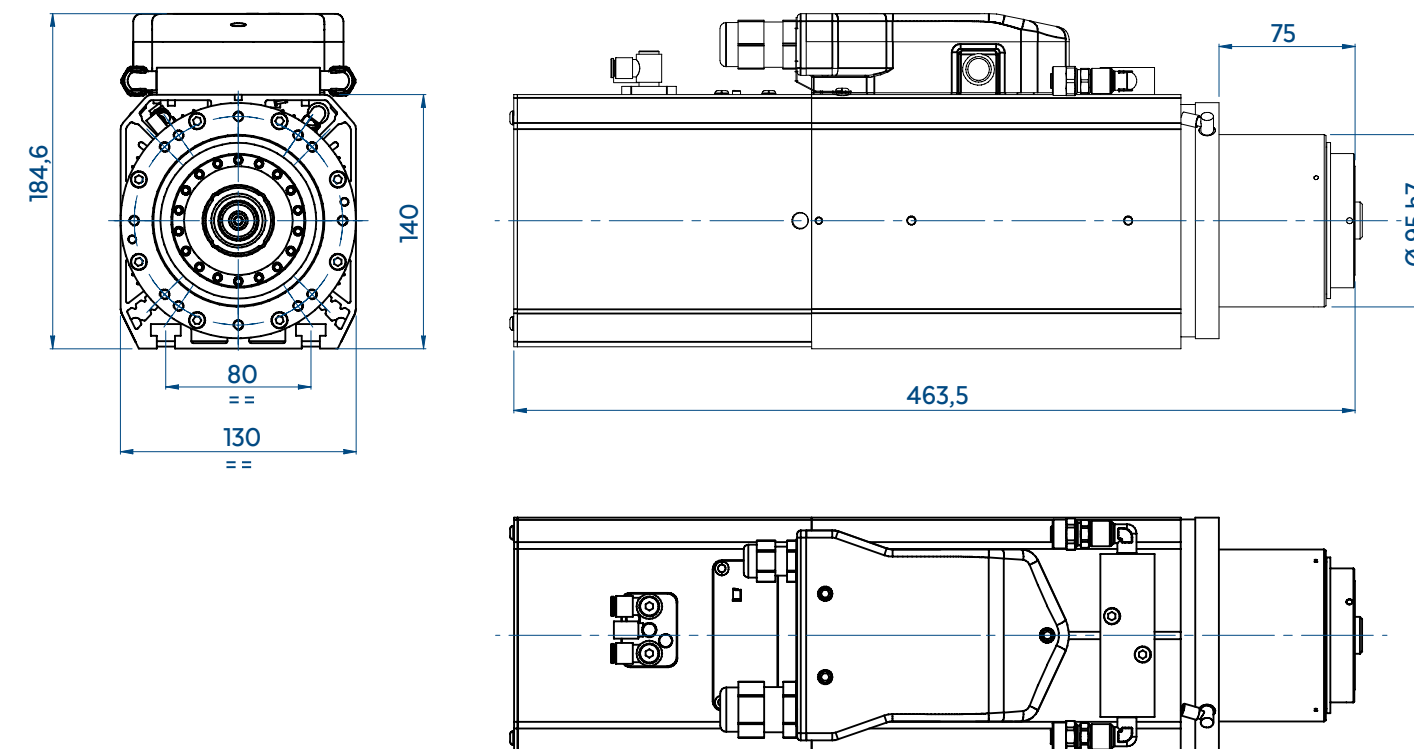
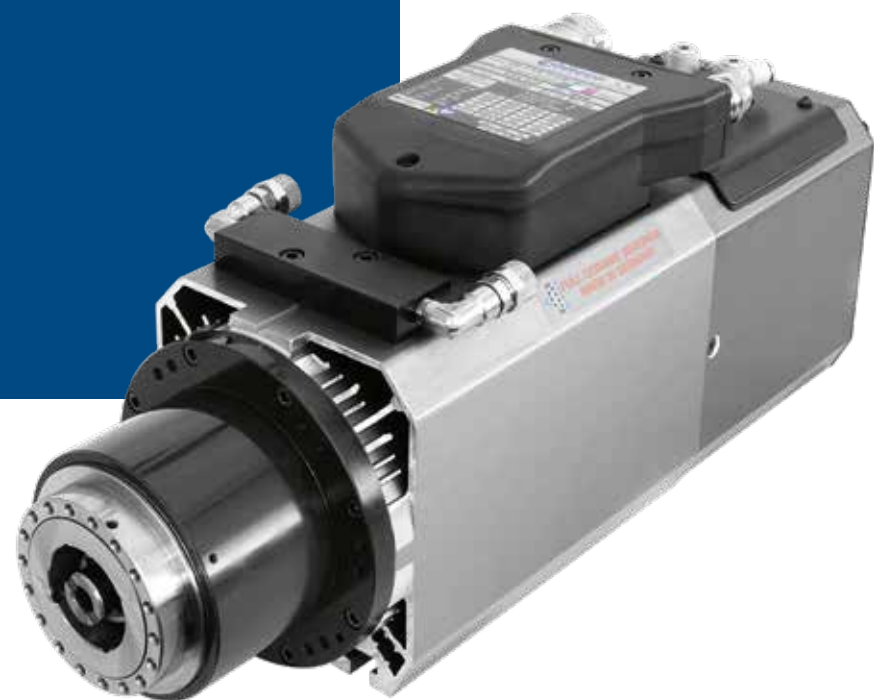
OPZIONALI OPTIONALS

- Encoder
1 Vpp or TTL
- Air tool
- CC circular connector
Male
- CC circular connector
Female (machine side)

PRESTAZIONI PERFORMANCES



QE-2 11/6 24 63F NC CB



SPECIFICHE TECNICHE TECHNICAL SPECIFICATIONS

S1 kW 11	S6 kW 13
S1 Nm 17,5	S6 Nm 20,7
S1 A 24	S6 A 28
Volt 380	
Pol es 4	
Supply inverter	
rpm 24000	
kg 23	

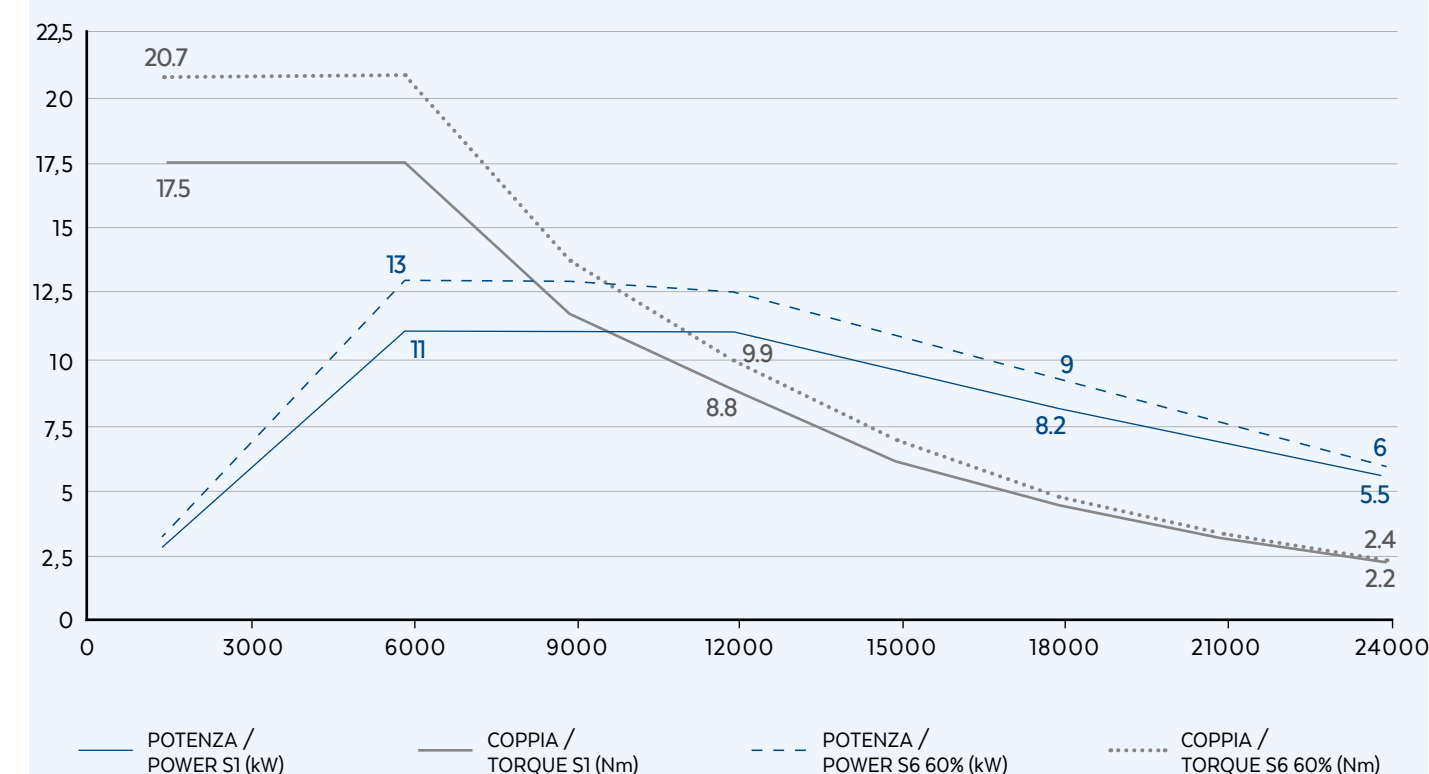
EQUIPAGGIAMENTO EQUIPMENT

- HSK 63F
- Cuscinetti ceramici
Ceramic ball bearings
- Raffreddamento liquido
Liquid cooling

OPZIONALI OPTIONALS

- Encoder
1 Vpp or TTL
- Air tool
- CC circular connector
Male
- CC circular connector
Female (machine side)

PRESTAZIONI PERFORMANCES



POWERTECH 500

HIGH SPEED
AIR COOLING

· QF-1F 11/12 20 63F NL PP p.64

HIGH TORQUE
AIR COOLING

· QF-1F 8/9 18 63F NL PP p.70

· QF-1F 13/7 15 63F NL PP p.72

HIGH SPEED
LIQUID COOLING

· QF-2 18/12 20 63F NL PP p.66

· QF-2 18/12 20 63E NL PP p.68

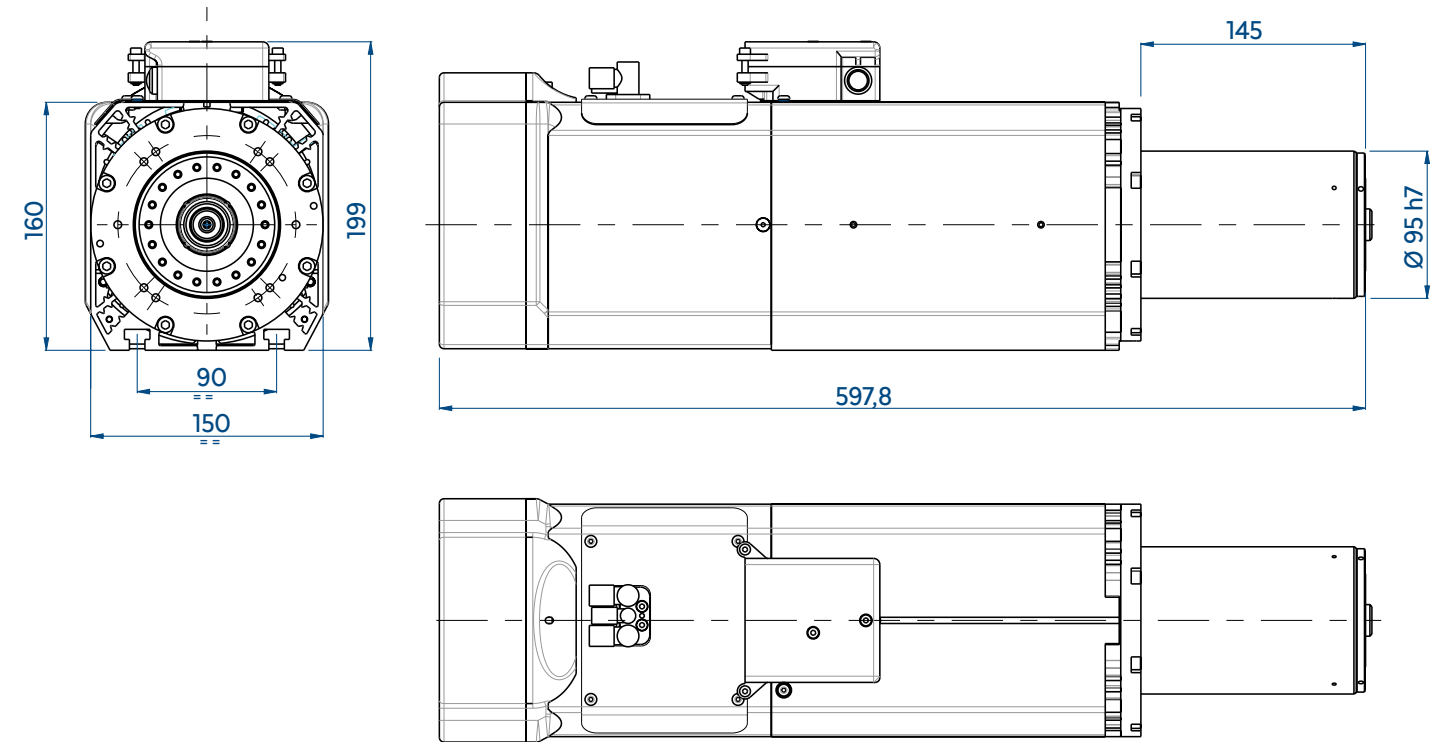
HIGH TORQUE
LIQUID COOLING

· QF-2 12/6 18 63F NL PP p.74

· QF-2 12/6 18 63E NL PP p.76



QF-1F 11/12 20 63F NL PP



SPECIFICHE TECNICHE
TECHNICAL SPECIFICATIONS

S1 kW 11	S6 kW 13,5
S1 Nm 8,8	S6 Nm 10,7
S1 A 28	S6 A 32
Volt 380	
Pol es 4	
Supply inverter	
rpm 20000	
kg 35	

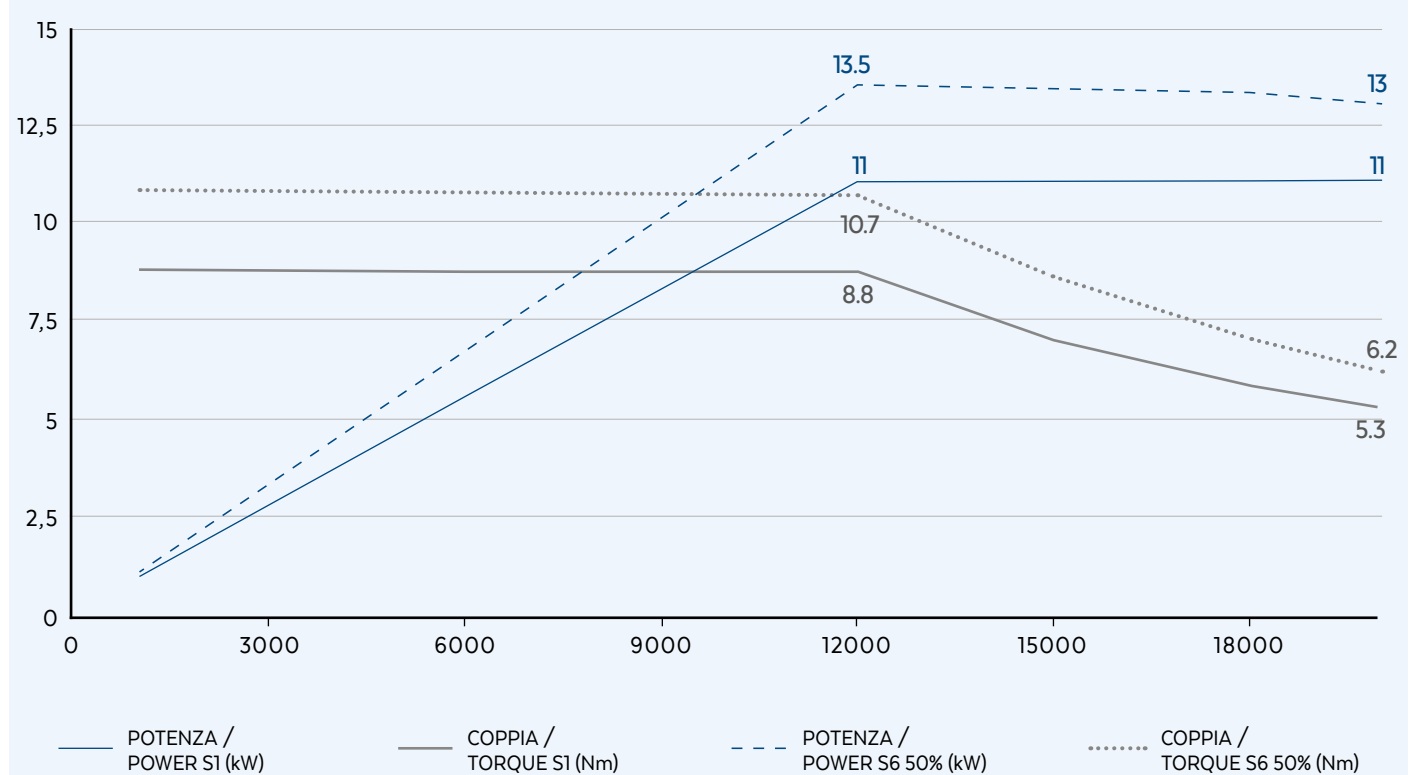
EQUIPAGGIAMENTO
EQUIPMENT

- HSK 63F
- Cuscinetti ceramici
Ceramic ball bearings
- Raffreddamento con elettroventola
Electrofan cooling

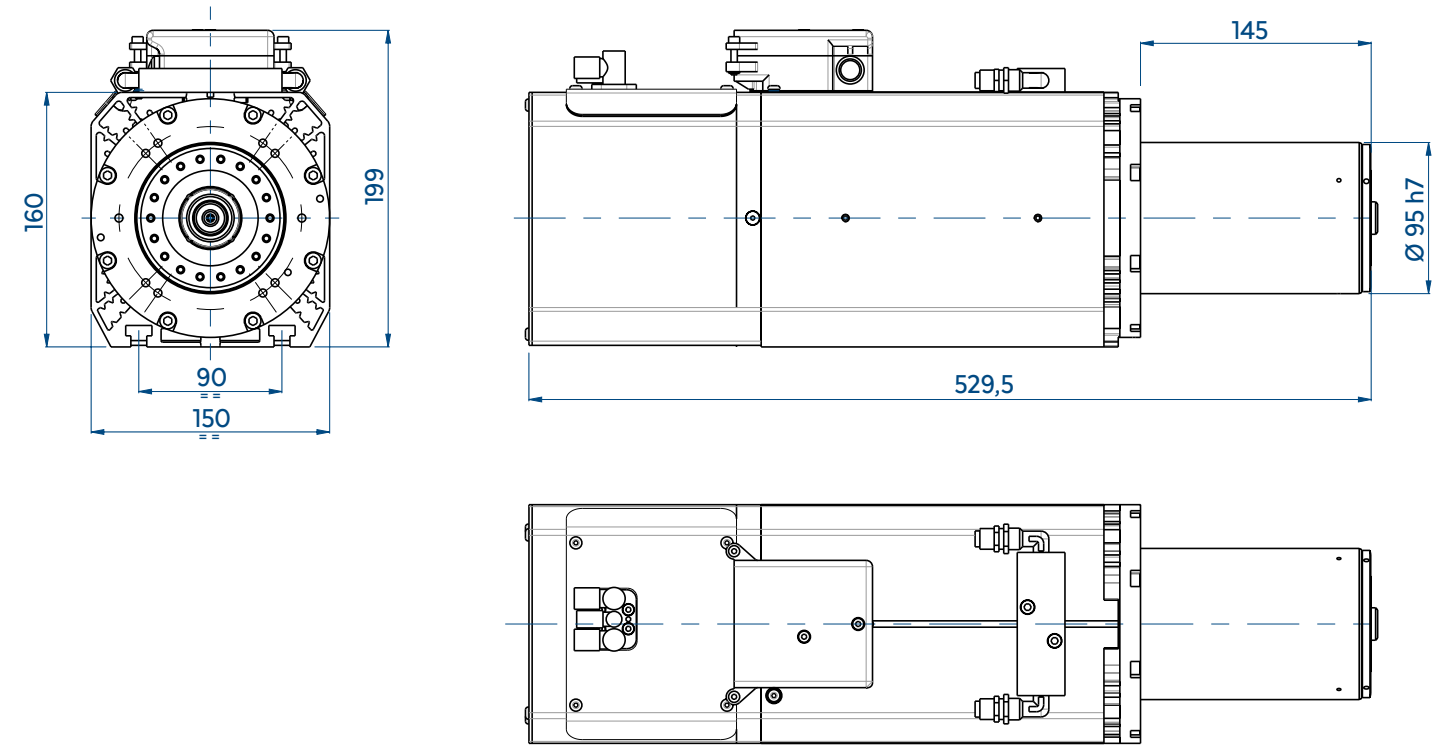
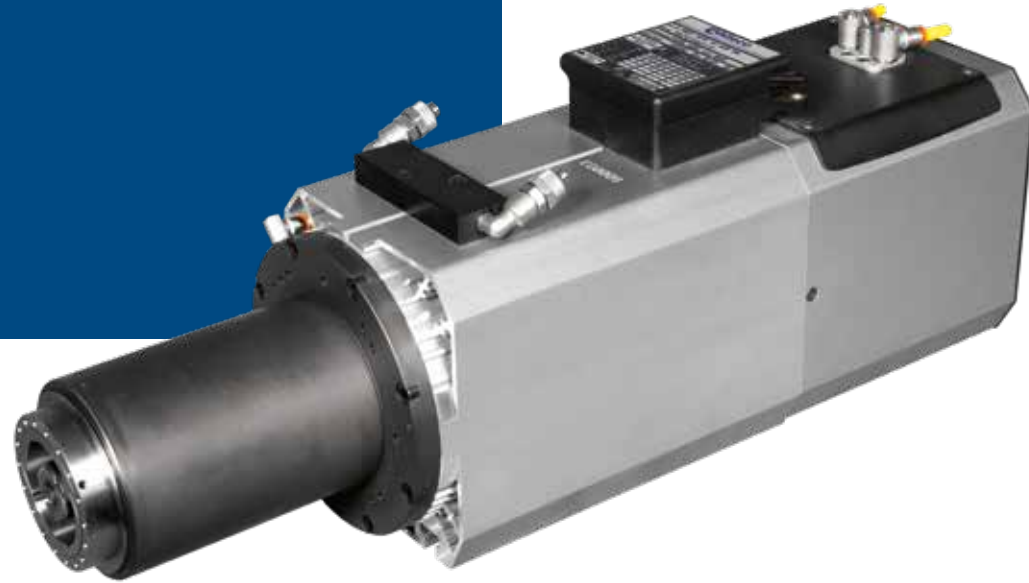
OPZIONALI
OPTIONALS

- Plug & Play
PP connection Female (machine side)

PRESTAZIONI
PERFORMANCES



QF-2 18/12 20 63F NL PP



SPECIFICHE TECNICHE TECHNICAL SPECIFICATIONS

S1 kW 18	S6 kW 21
S1 Nm 14,3	S6 Nm 16,7
S1 A 36	S6 A 41
Volt 380	
Pol es 4	
Supply inverter	
rpm 20000	
kg 35	

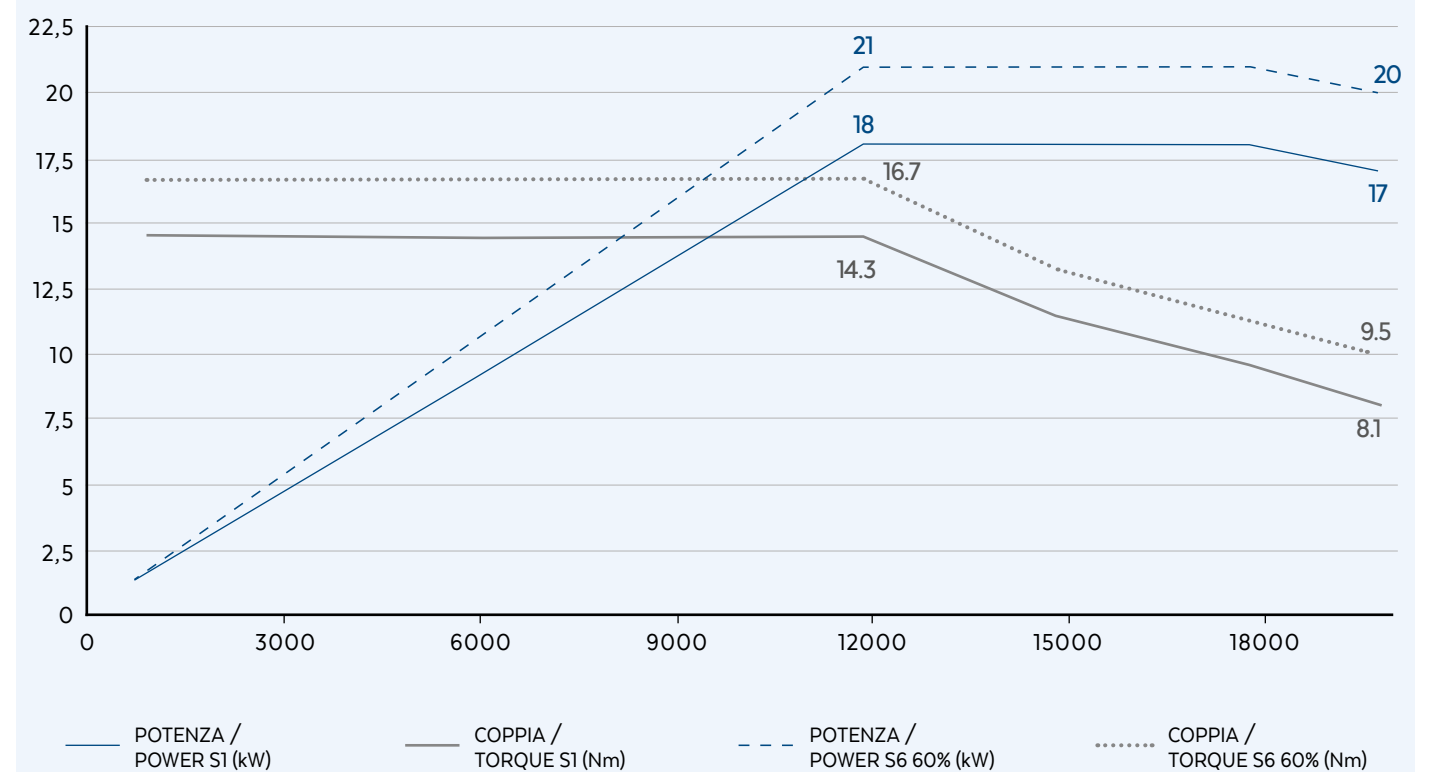
EQUIPAGGIAMENTO EQUIPMENT

- HSK 63F
- Cuscinetti ceramici
Ceramic ball bearings
- Raffreddamento liquido
Liquid cooling

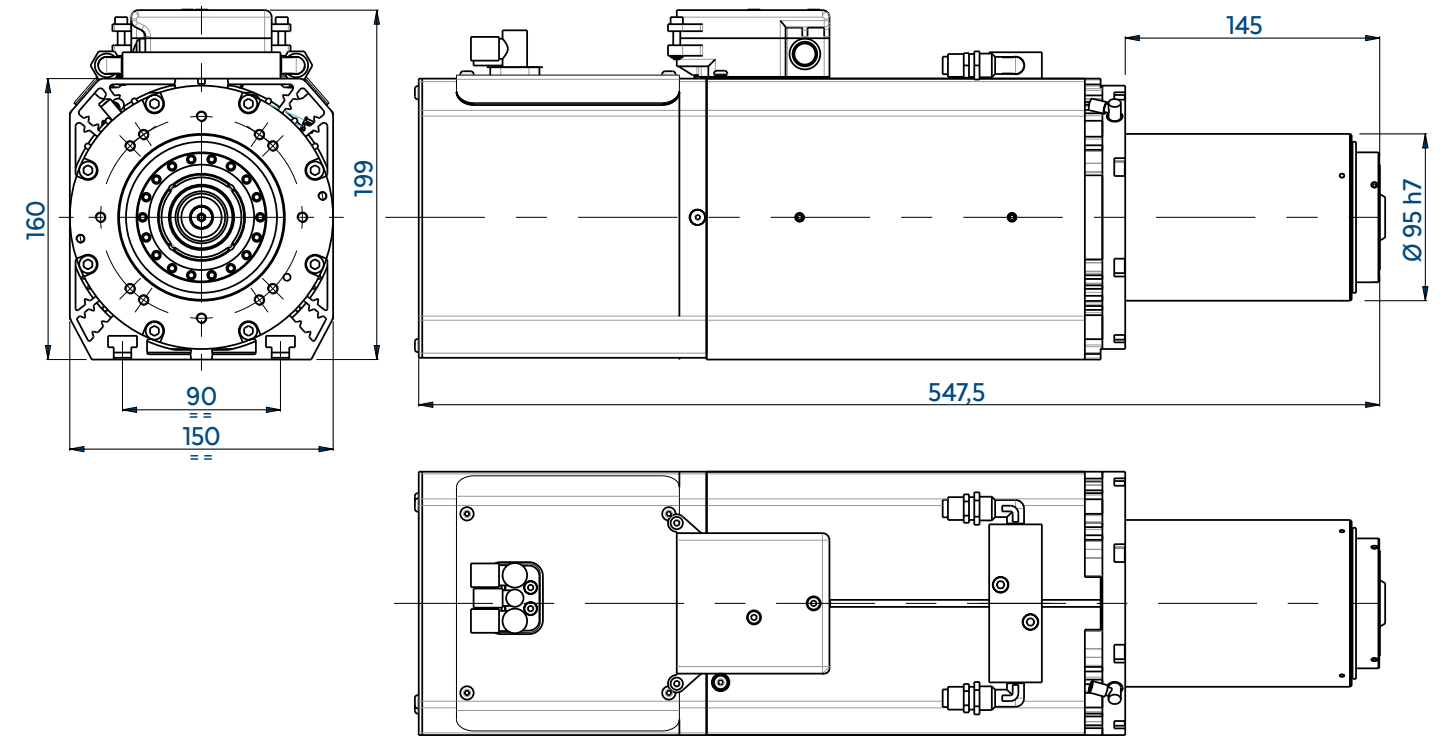
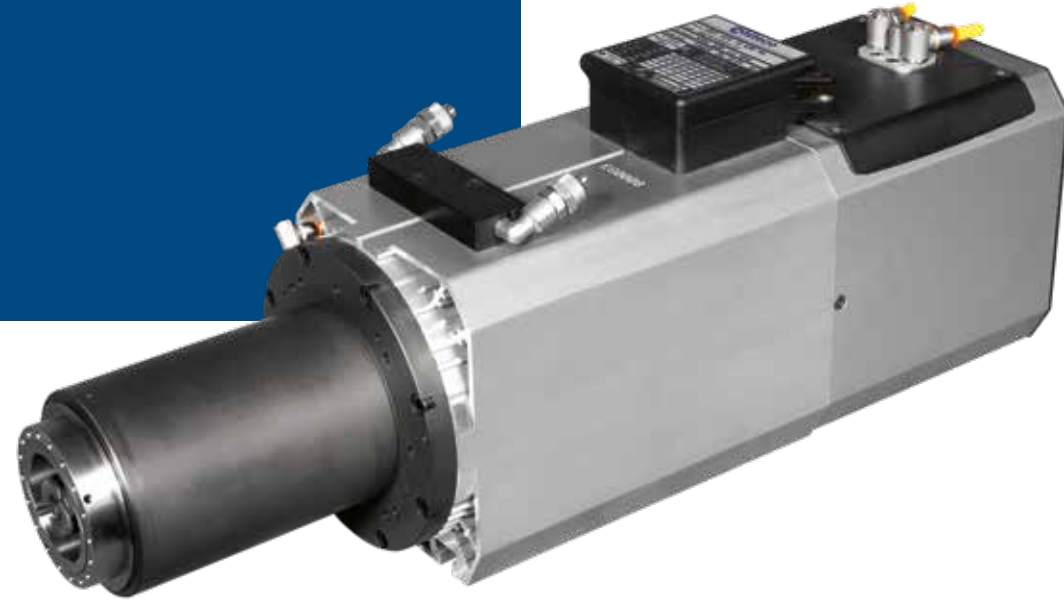
OPZIONALI OPTIONALS

- Plug & Play
PP connection Female
(machine side)

PRESTAZIONI PERFORMANCES



QF-2 18/12 20 63E NL PP



SPECIFICHE TECNICHE TECHNICAL SPECIFICATIONS

S1 kW 18	S6 kW 21
S1 Nm 14,3	S6 Nm 16,7
S1 A 36	S6 A 41
Volt 380	
Pol es 4	
Supply inverter	
rpm 20000	
kg 35	

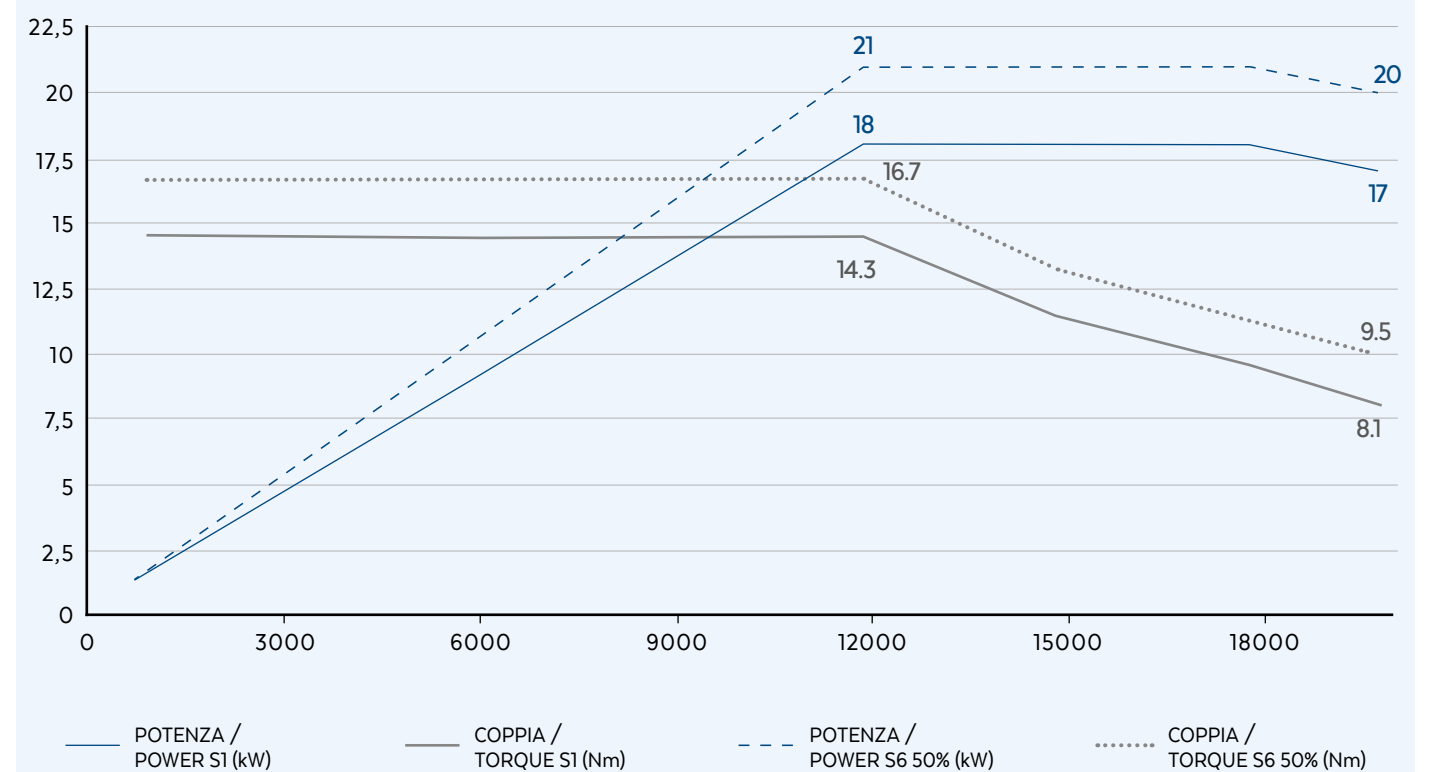
EQUIPAGGIAMENTO EQUIPMENT

- HSK 63E
- Cuscinetti ceramici
Ceramic ball bearings
- Raffreddamento liquido
Liquid cooling

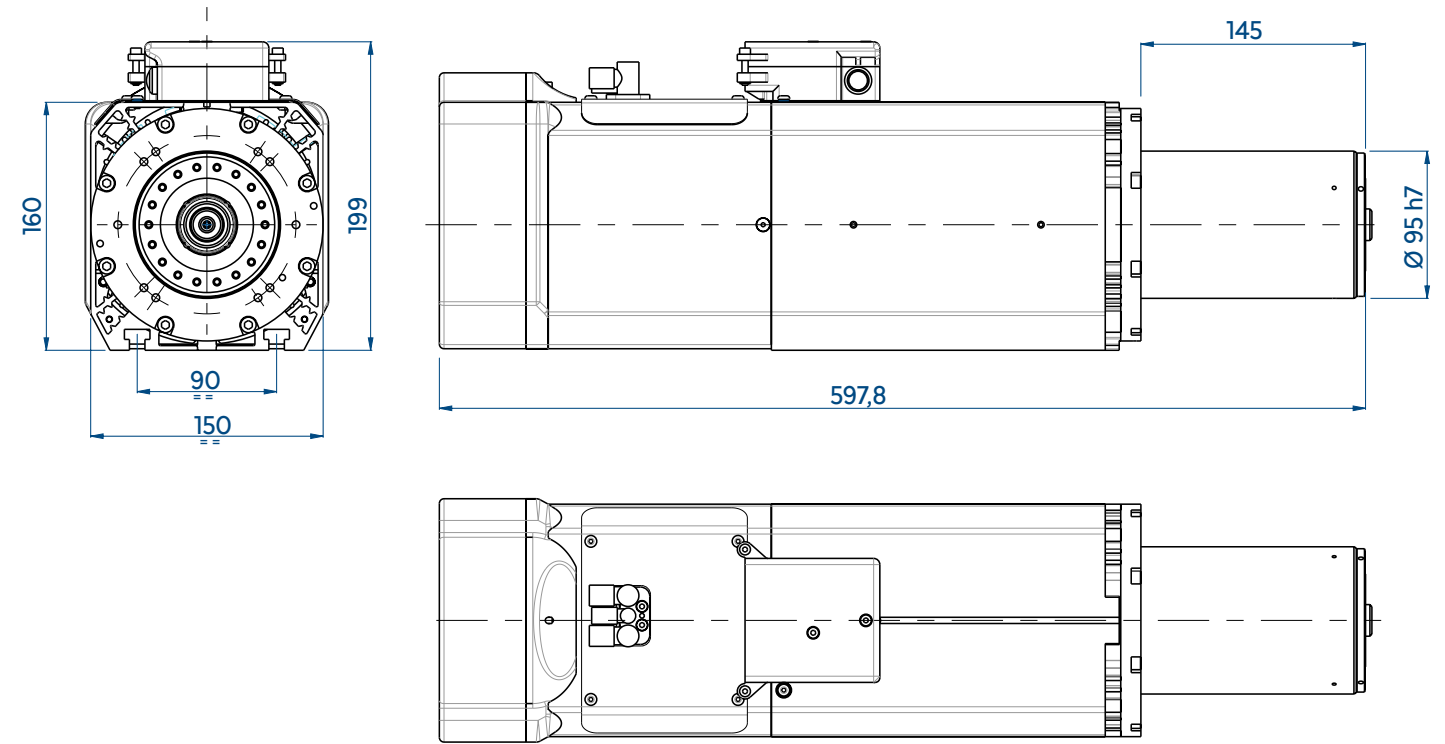
OPZIONALI OPTIONALS

- Plug & Play
PP connection Female
(machine side)

PRESTAZIONI PERFORMANCES



QF-1F 8/9 18 63F NL PP



SPECIFICHE TECNICHE
TECHNICAL SPECIFICATIONS

S1 kW 8	S6 kW 10
S1 Nm 11,9	S6 Nm 14,6
S1 A 20	S6 A 24
Volt 380	
Pol es 4	
Supply inverter	
rpm 18000	
kg 35	

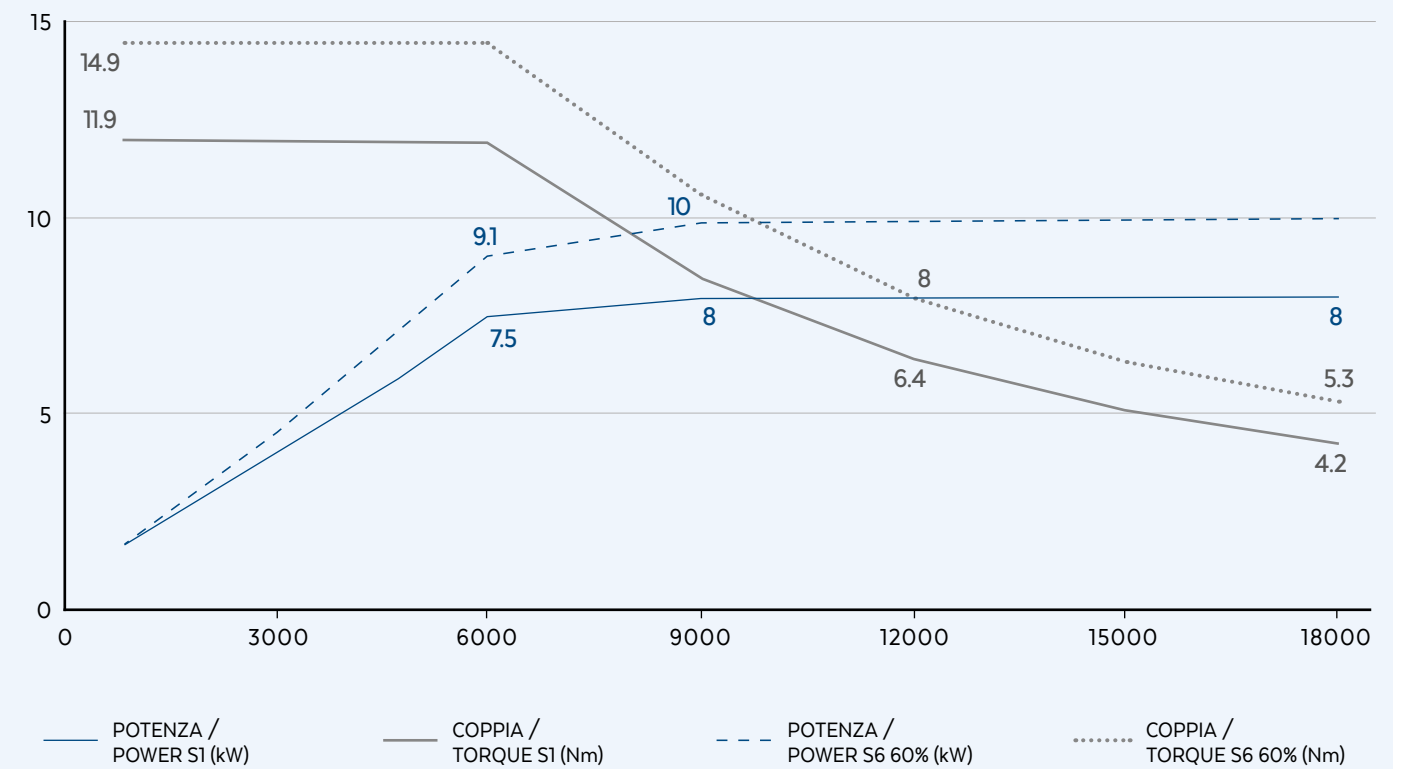
EQUIPAGGIAMENTO
EQUIPMENT

- HSK 63F
- Cuscinetti ceramici
Ceramic ball bearings
- Raffreddamento con elettroventola
Electrofan cooling

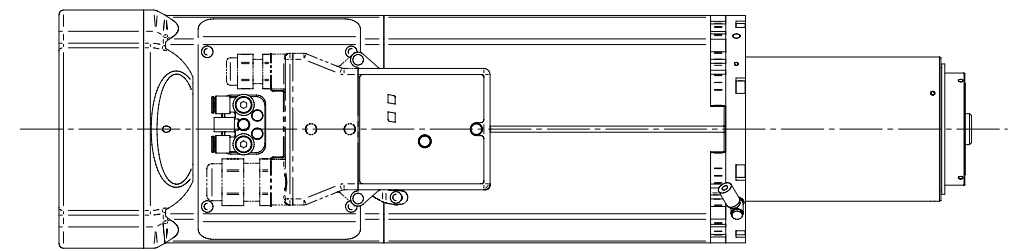
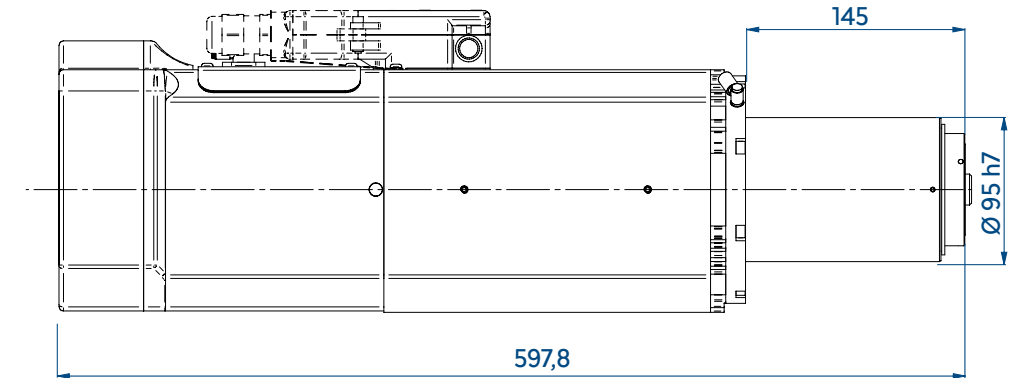
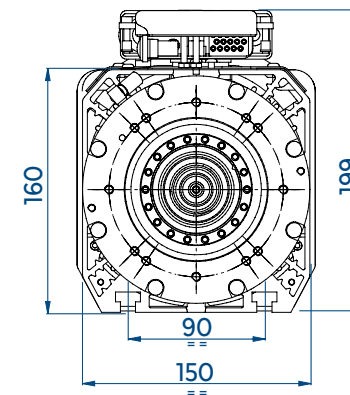
OPZIONALI
OPTIONALS

- Plug & Play
PP connection Female (machine side)

PRESTAZIONI
PERFORMANCES



QF-1F 13/7 15 63F NL PP



SPECIFICHE TECNICHE
TECHNICAL SPECIFICATIONS

S1 kW 13,3	S6 kW 16
S1 Nm 16,9	S6 Nm 20,4
S1 A 28	S6 A 32
Volt 380	
Pol es 4	
Supply inverter	
rpm 15000	
kg 35	

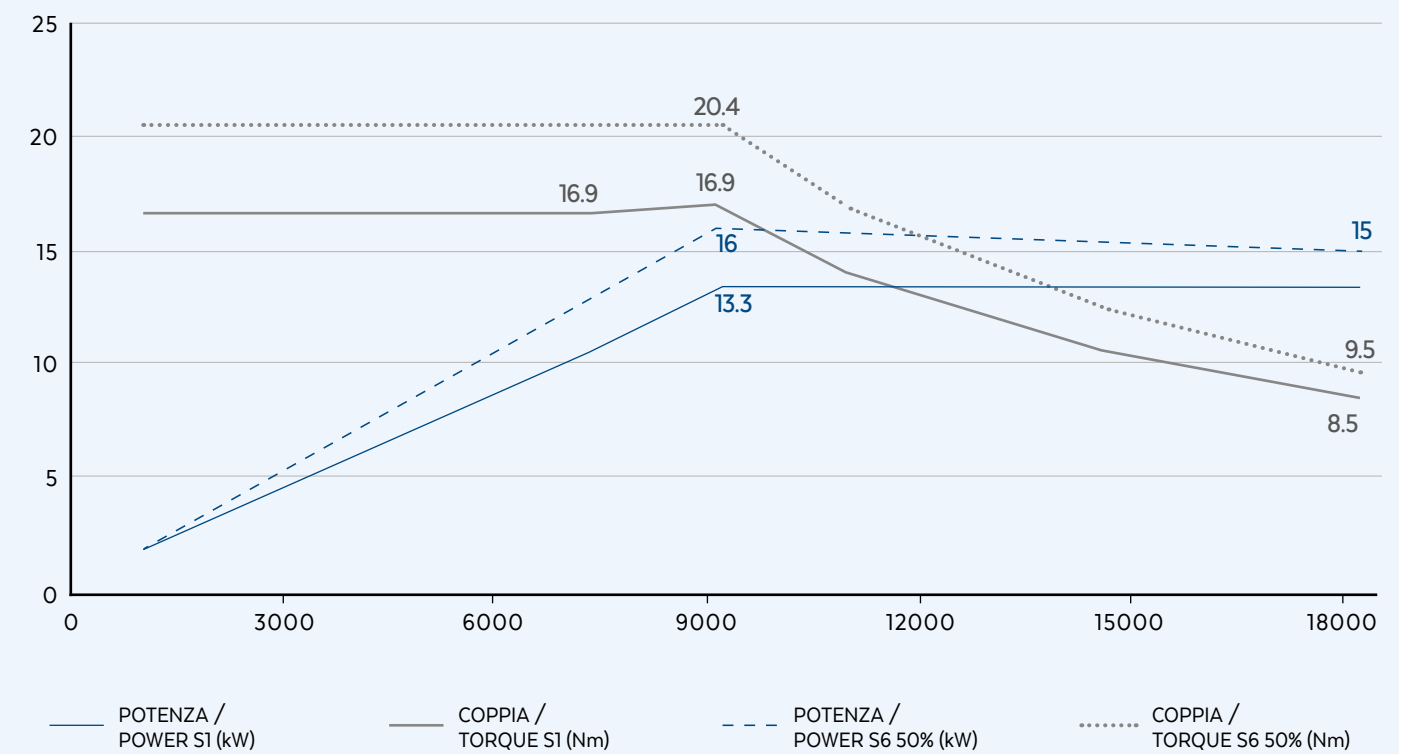
EQUIPAGGIAMENTO
EQUIPMENT

- HSK 63F
- Cuscinetti ceramici
Ceramic ball bearings
- Raffreddamento con elettroventola
Electrofan cooling

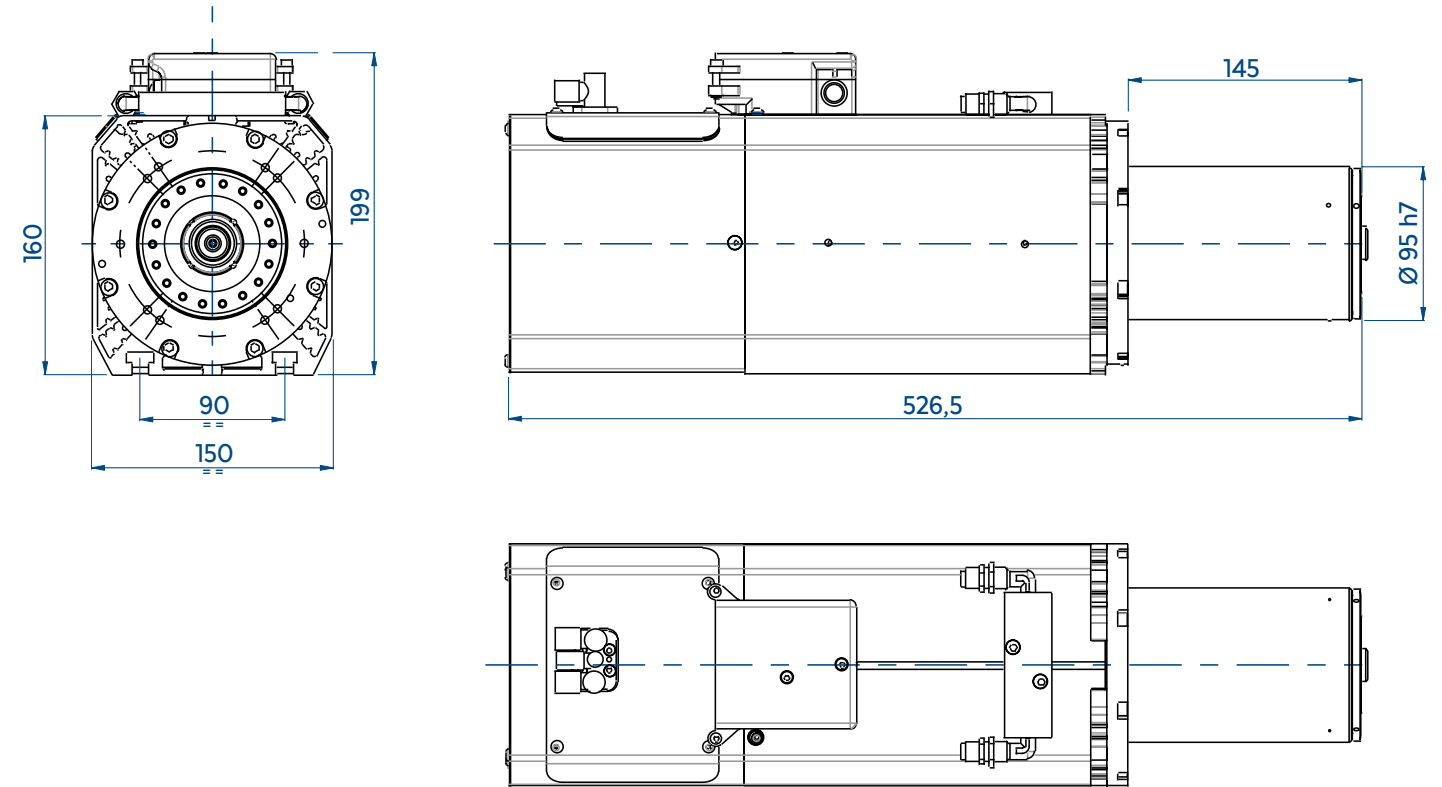
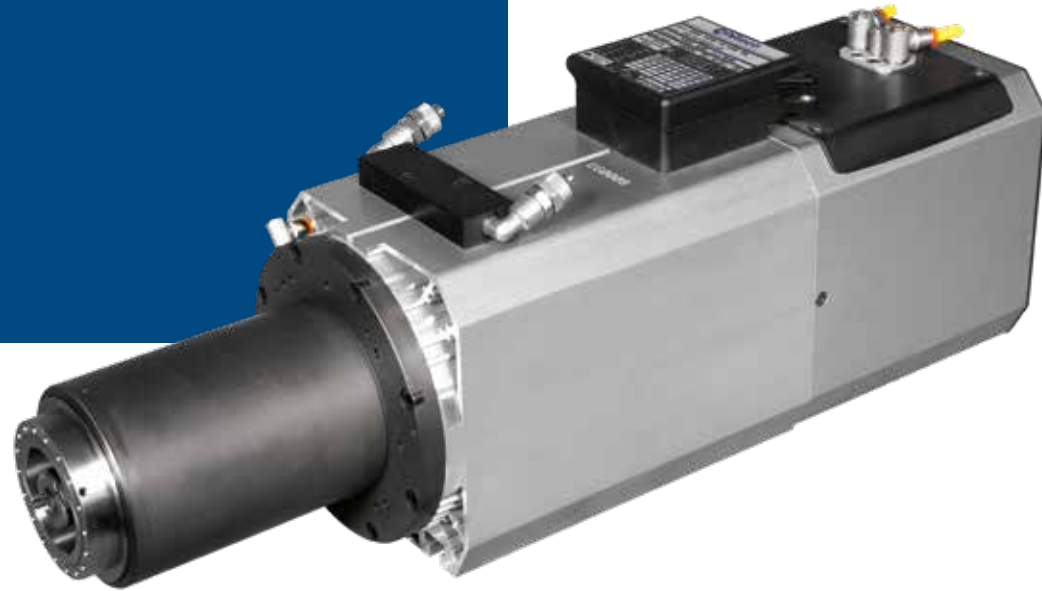
OPZIONALI
OPTIONALS

- Plug & Play
PP connection Female (machine side)

PRESTAZIONI
PERFORMANCES



QF-2 12/6 18 63F NL PP



SPECIFICHE TECNICHE
TECHNICAL SPECIFICATIONS

S1 kW 12	S6 kW 15
S1 Nm 19,1	S6 Nm 23,9
S1 A 28	S6 A 35
Volt 380	
Pol es 4	
Supply inverter	
rpm 18000	
kg 35	

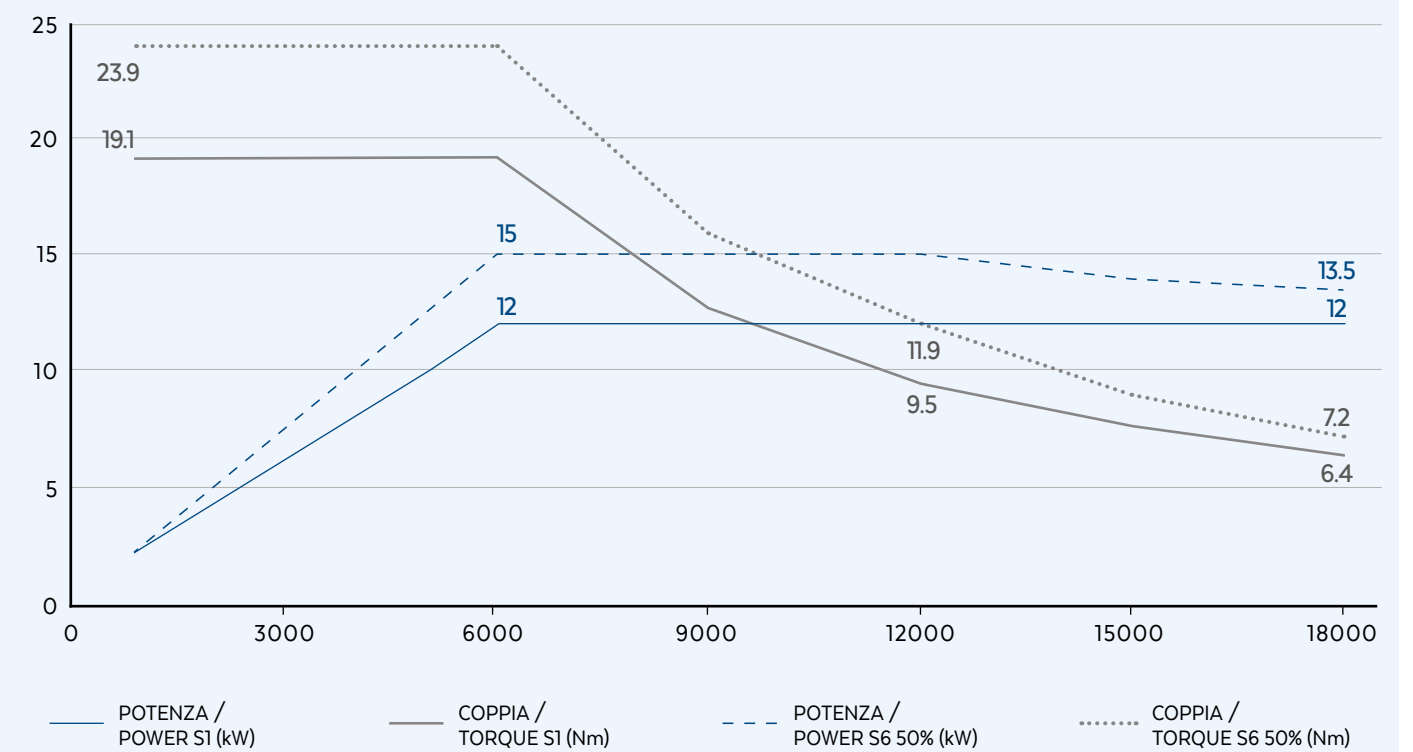
EQUIPAGGIAMENTO
EQUIPMENT

- HSK 63F
- Cuscinetti ceramici
Ceramic ball bearings
- Raffreddamento liquido
Liquid cooling

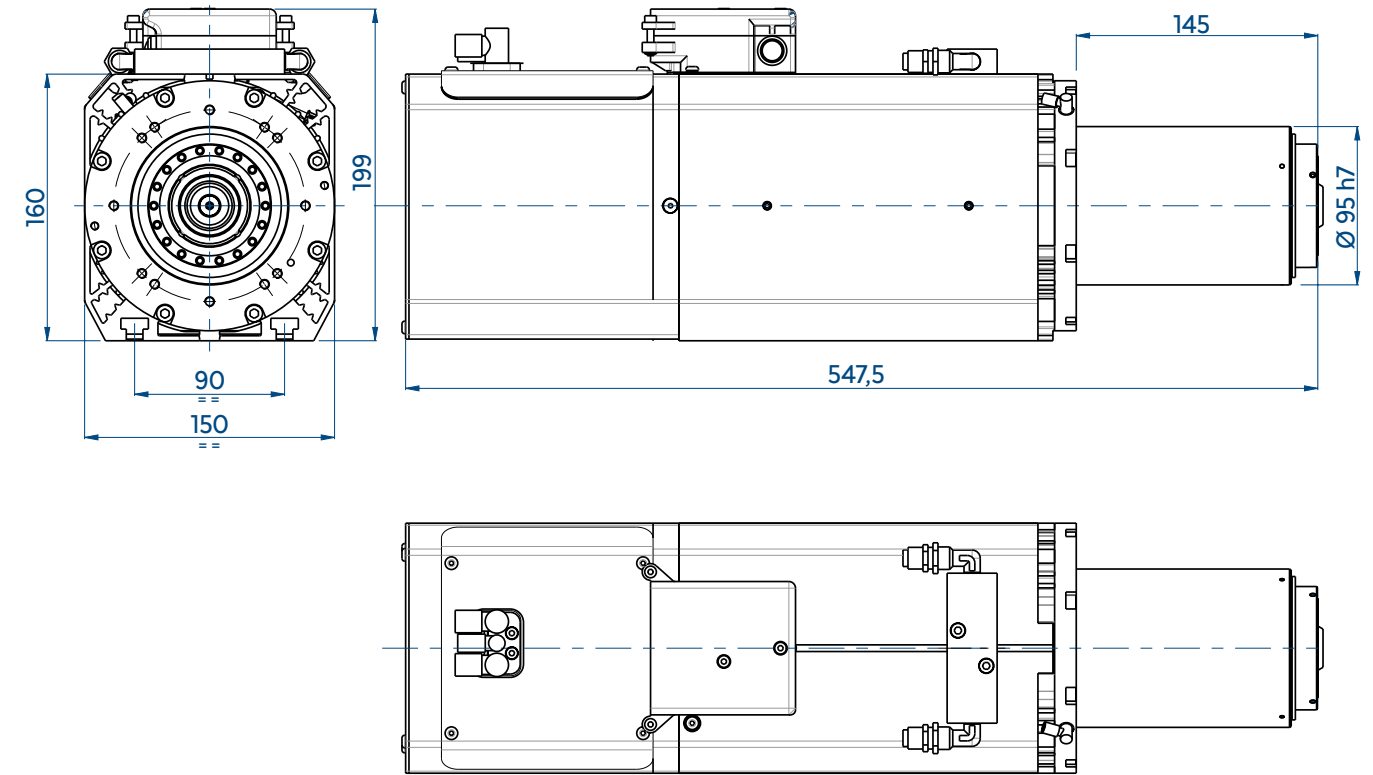
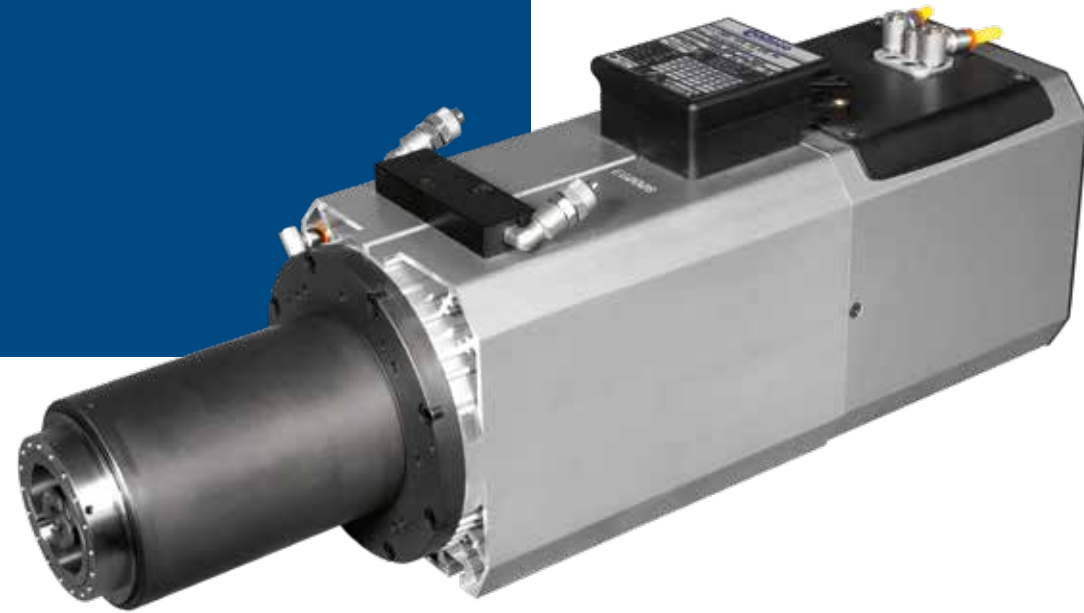
OPZIONALI
OPTIONALS

- PP connection Female
(machine side)

PRESTAZIONI
PERFORMANCES



QF-2 12/6 18 63E NL PP



SPECIFICHE TECNICHE
TECHNICAL SPECIFICATIONS

S1 kW 12	S6 kW 15
S1 Nm 19,1	S6 Nm 23,9
S1 A 28	S6 A 35
Volt 380	
Pol es 4	
Supply inverter	
rpm 18000	
kg 35	

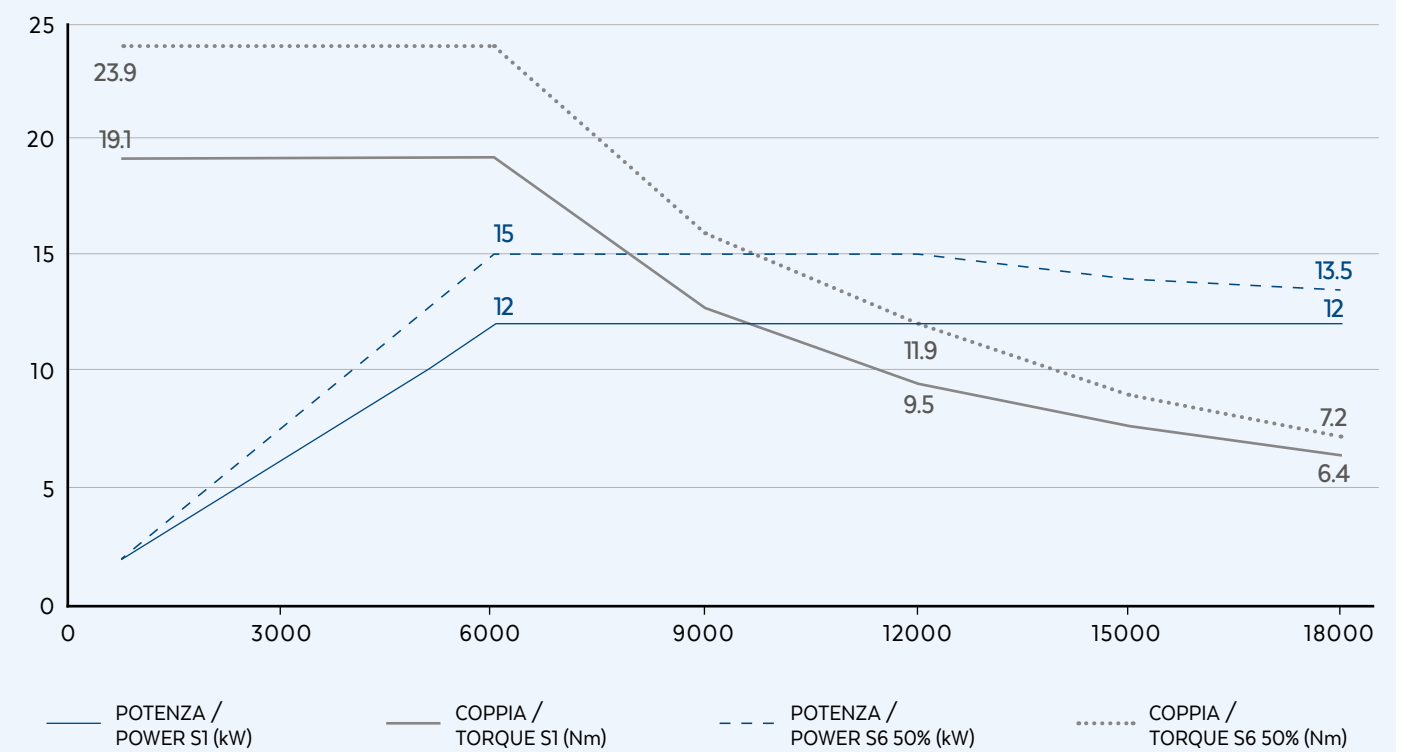
EQUIPAGGIAMENTO
EQUIPMENT

- HSK 63E
- Cuscinetti ceramici
Ceramic ball bearings
- Raffreddamento liquido
Liquid cooling

OPZIONALI
OPTIONALS

- Plug & Play
PP connection Female
(machine side)

PRESTAZIONI
PERFORMANCES



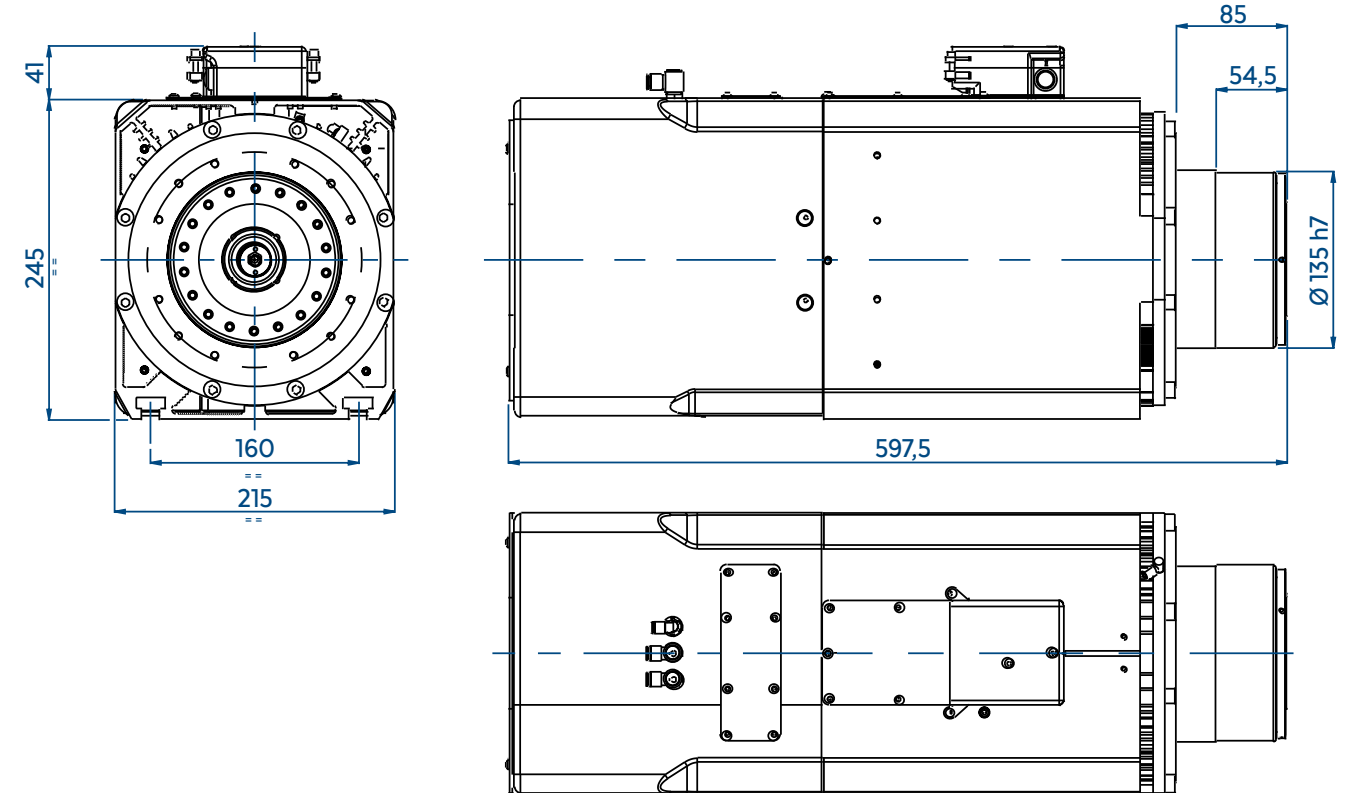
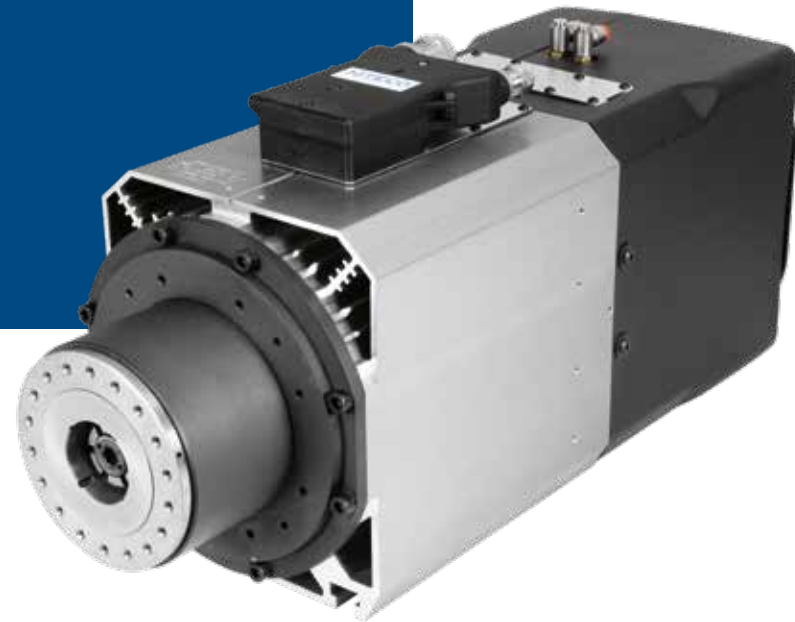
POWERTECH 600

HIGH TORQUE
AIR COOLING

- QM-1F 11/6 10 80F NC PP p.**80**
- QM-1F 18/6 12 80F NC PP p.**82**



QM-1F 11/6 10 80F NC PP



SPECIFICHE TECNICHE TECHNICAL SPECIFICATIONS

S1 kW 11	S6 kW 13
S1 Nm 19,1	S6 Nm 24,6
S1 A 25	S6 A 33
Volt 380	
Pol es 4	
Supply inverter	
rpm 10000	
kg 70	

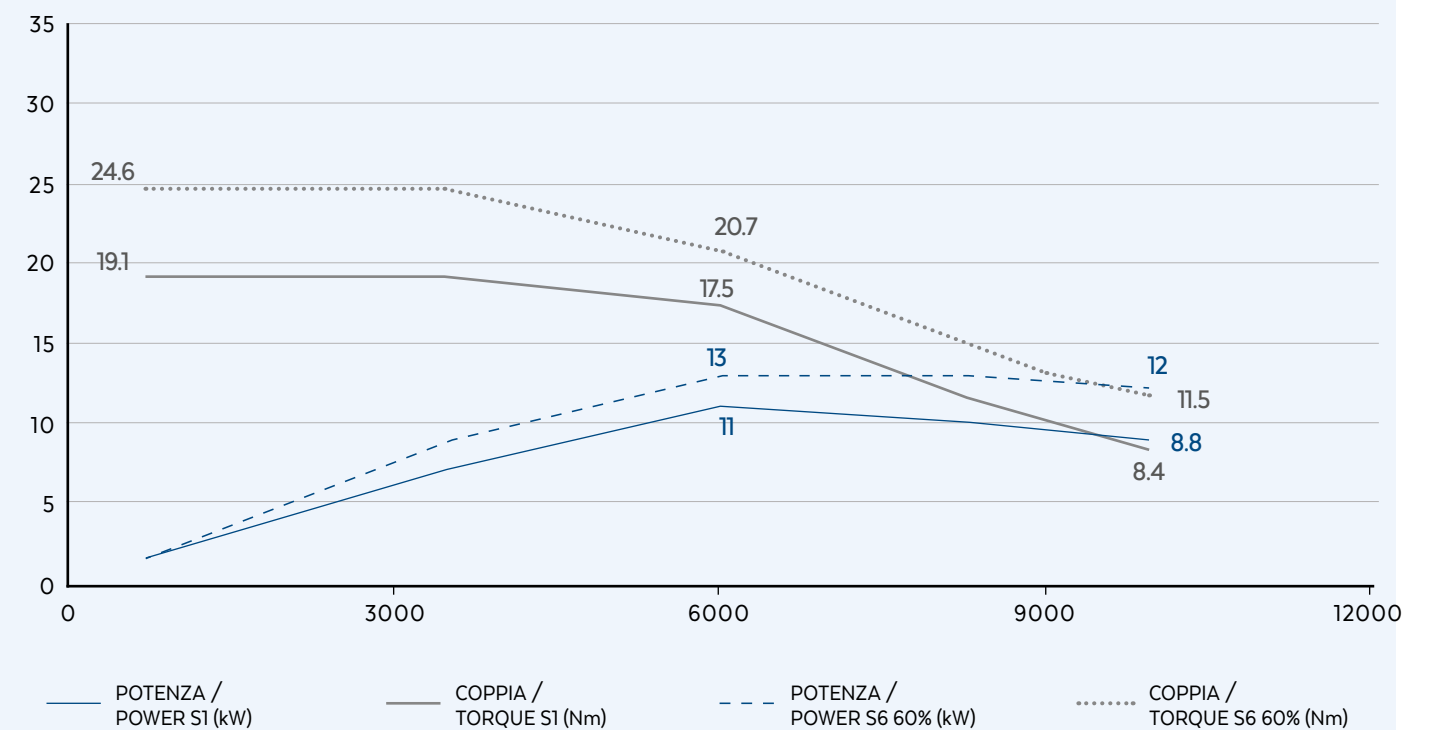
EQUIPAGGIAMENTO EQUIPMENT

- HSK 80F
- Cuscinetti ceramici
Ceramic ball bearings
- Raffreddamento con elettroventola
Electrofan cooling

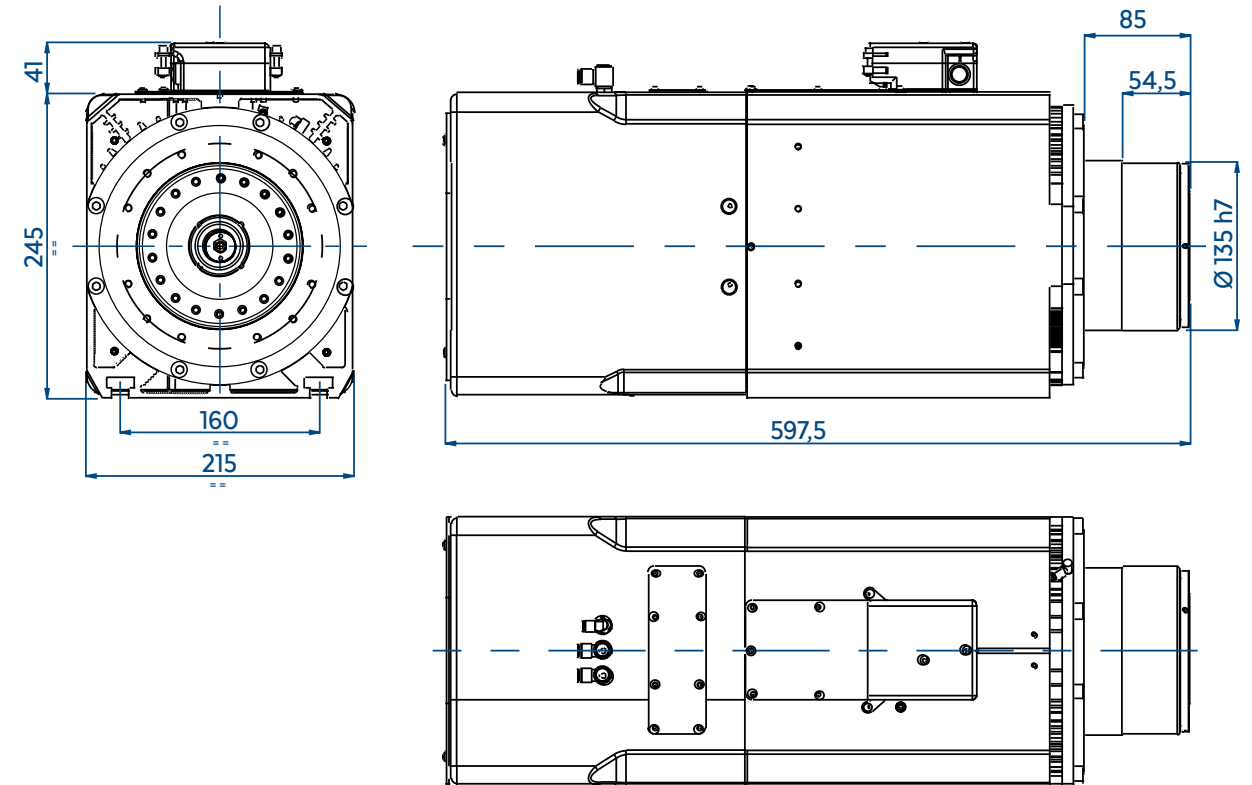
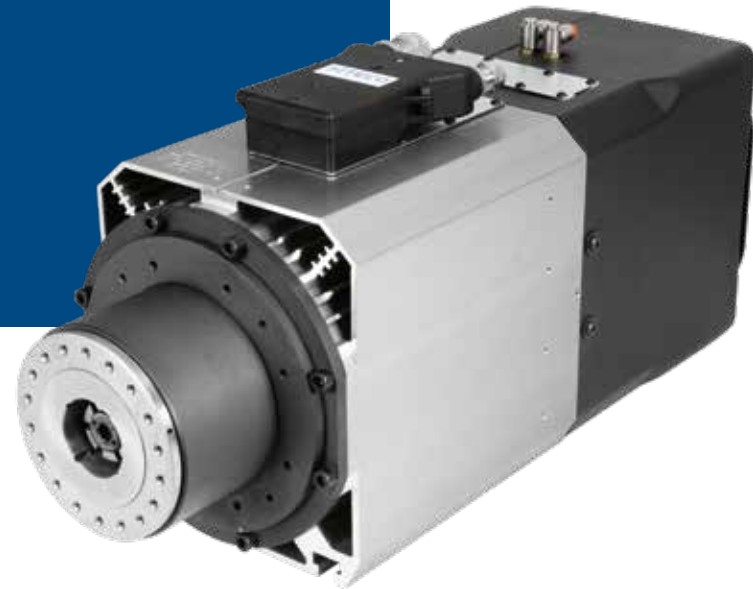
OPZIONALI OPTIONALS

- Plug & Play
PP connection Female (machine side)

PRESTAZIONI PERFORMANCES



QM-1F 18/6 12 80F NC PP



SPECIFICHE TECNICHE
TECHNICAL SPECIFICATIONS

S1 kW 18	S6 kW 21
S1 Nm 30	S6 Nm 33,6
S1 A 37	S6 A 42
Volt 380	
Pol es 4	
Supply inverter	
rpm 12000	
kg 70	

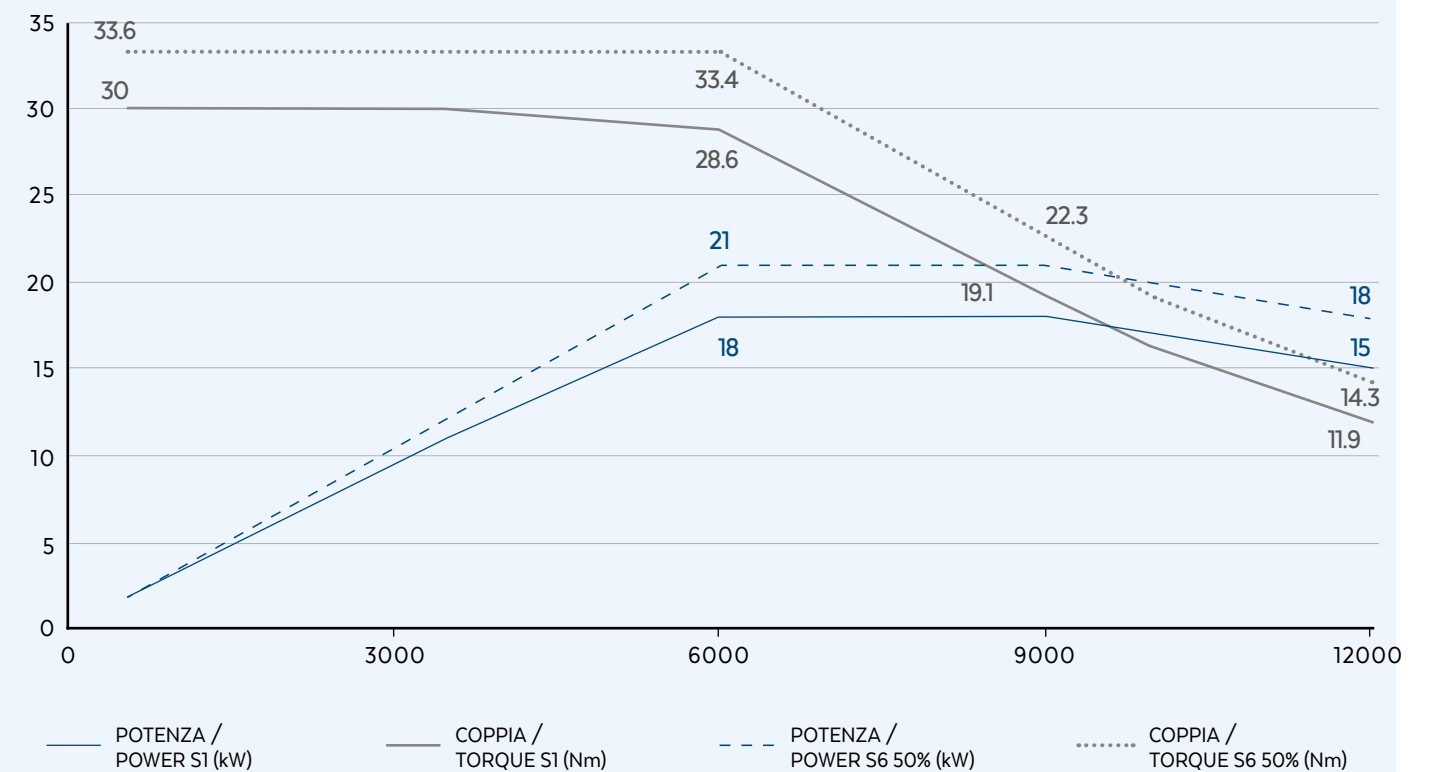
EQUIPAGGIAMENTO
EQUIPMENT

- HSK 80F
- Cuscinetti ceramici
Ceramic ball bearings
- Raffreddamento con elettroventola
Electrofan cooling

OPZIONALI
OPTIONALS

- Plug & Play
PP connection Female
(machine side)

PRESTAZIONI
PERFORMANCES



ROBOTECH

HIGH SPEED LIQUID COOLING

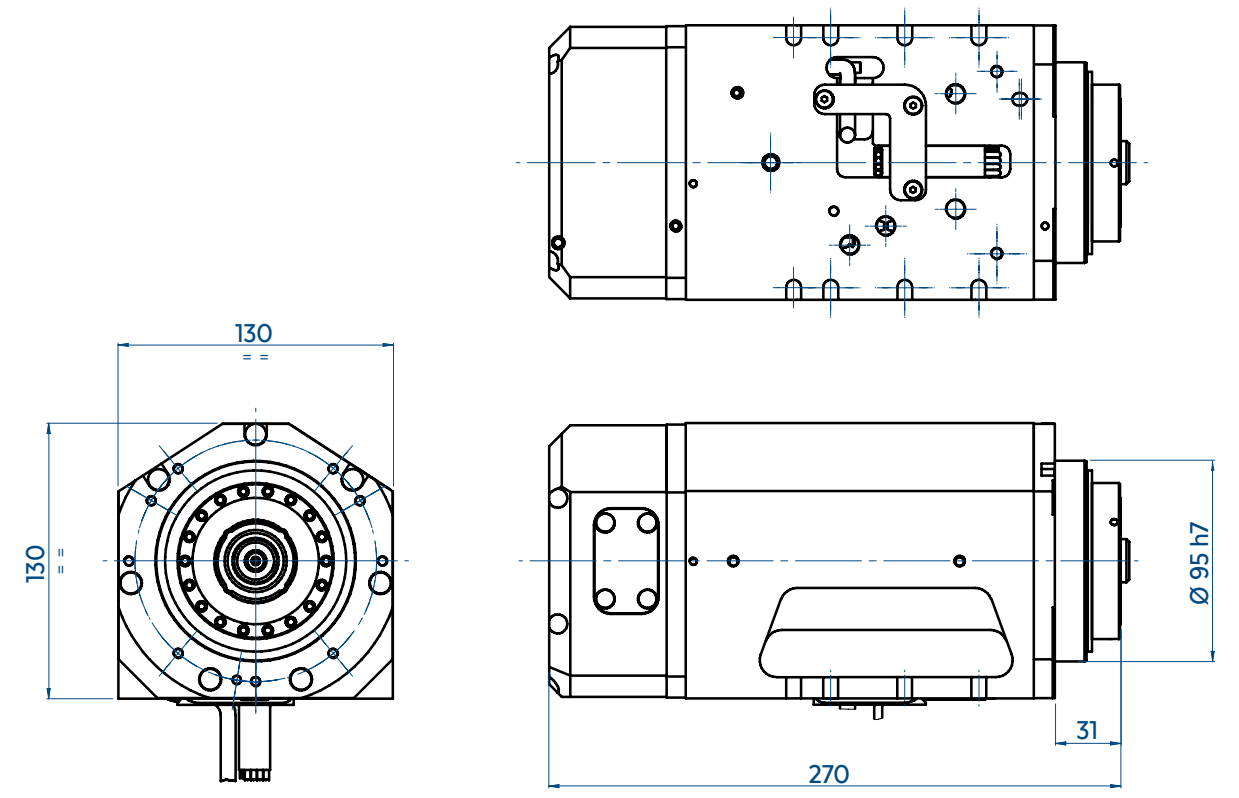
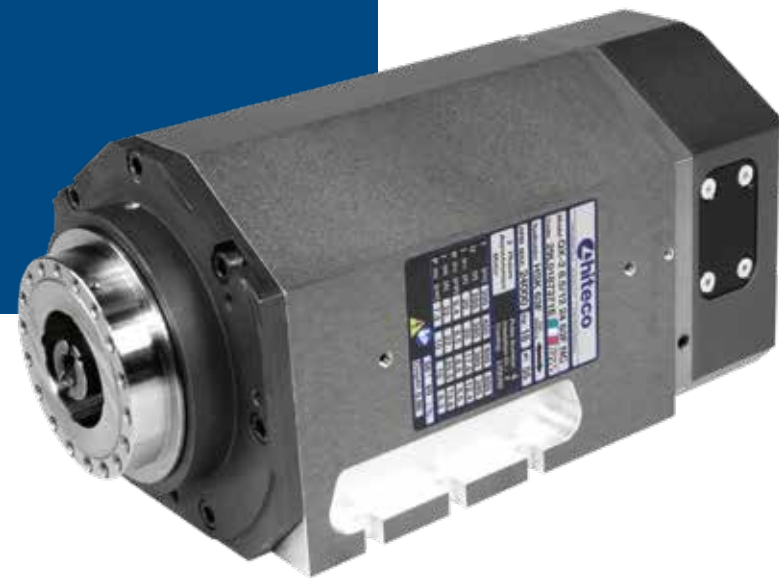
- QX-2 8.5/12 24 63F NC SC p. **86**
- QX-2 10/12 24 63F NC SC p. **88**
- QX-2 11/12 24 63F NC SC p. **90**
- PX-2 12/12 24 63F NC SC p. **92**
- PX-2 15/12 24 63F NC SC p. **94**
- PX-2 18/12 24 63F NC SC p. **96**
- PX-2 20/10 24 63A NC SC (SYNC) p. **98**
- HX-2 12/12 24 63F NC SC p. **100**
- HX-2 15/12 24 63F NC SC p. **102**
- HX-2 18/12 24 63F NC SC p. **104**
- HX-2 20/10 24 63A NC SC (SYNC) p. **106**
- HX-2 12/12 24 63F NC 3AXIS CC p. **108**
- HX-2 15/12 24 63F NC 3AXIS CC p. **110**
- HX-2 18/12 24 63F NC 3AXIS CC p. **112**
- HX-2 20/10 24 63A NC 3AXIS CC (SYNC) p. **114**

HIGH TORQUE LIQUID COOLING

- PX-2 10/7 24 63F NC SC p. **116**
- HX-2 10/7 24 63F NC SC p. **118**
- HX-2 10/7 24 63F NC 3AXIS CC p. **120**
- QT-2 13/6 16 63E NC SC p. **122**
- QT-2 25/7 16 63E NC SC (SYNC) p. **124**
- QM-2 30/6 13 80F NC PP p. **126**



QX-2 8.5/12 24 63F NC



SPECIFICHE TECNICHE TECHNICAL SPECIFICATIONS

S1 kW 8.5	S6 kW 10
S1 Nm 6.8	S6 Nm 8
S1 A 20	S6 A 22
Volt 380	
Pol es 4	
Supply inverter	
rpm 24000	
kg 18	

EQUIPAGGIAMENTO EQUIPMENT

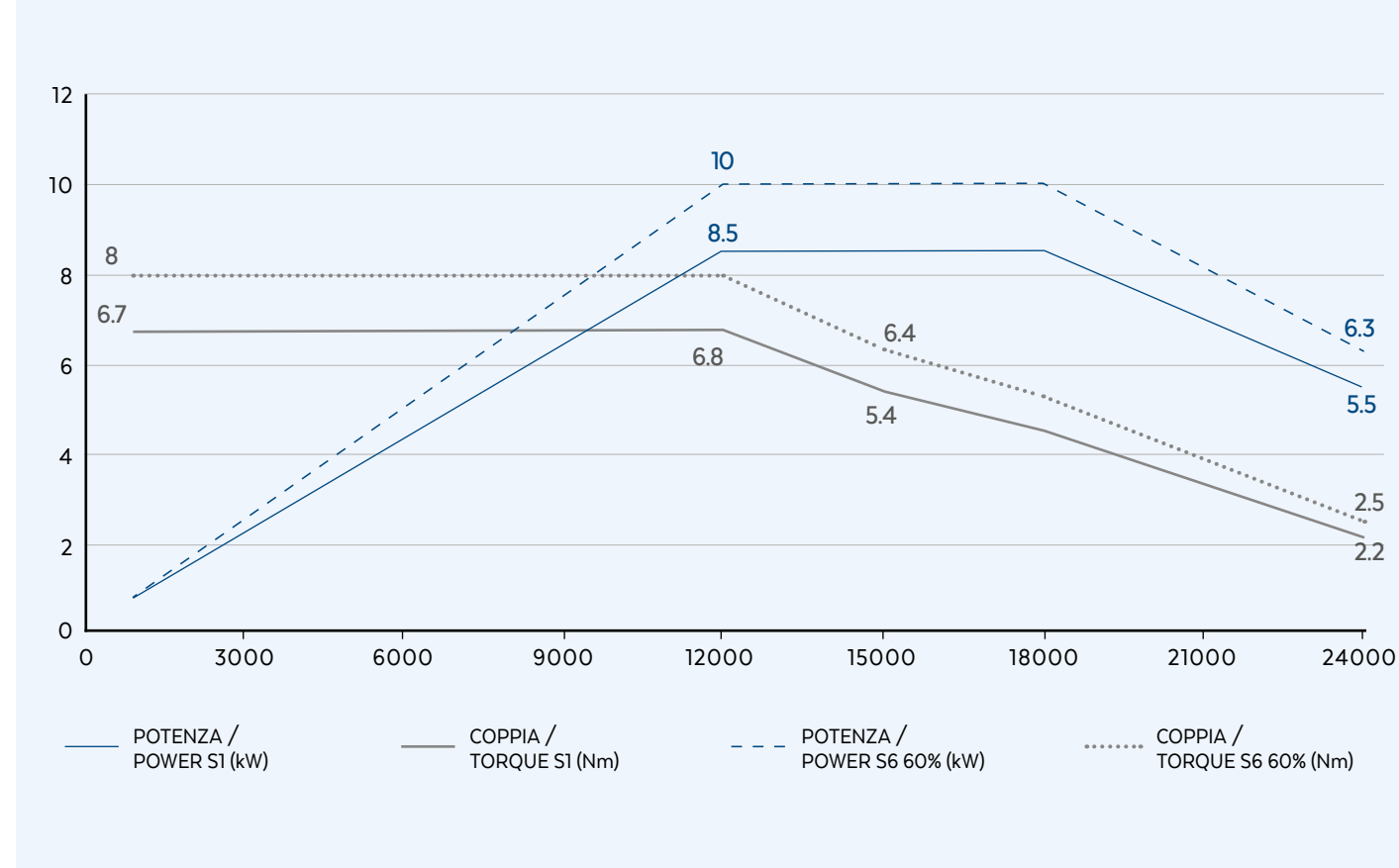
- HSK 63F
- Cuscinetti ceramici
Ceramic ball bearings
- Raffreddamento liquido
Liquid cooling

OPZIONALI OPTIONALS

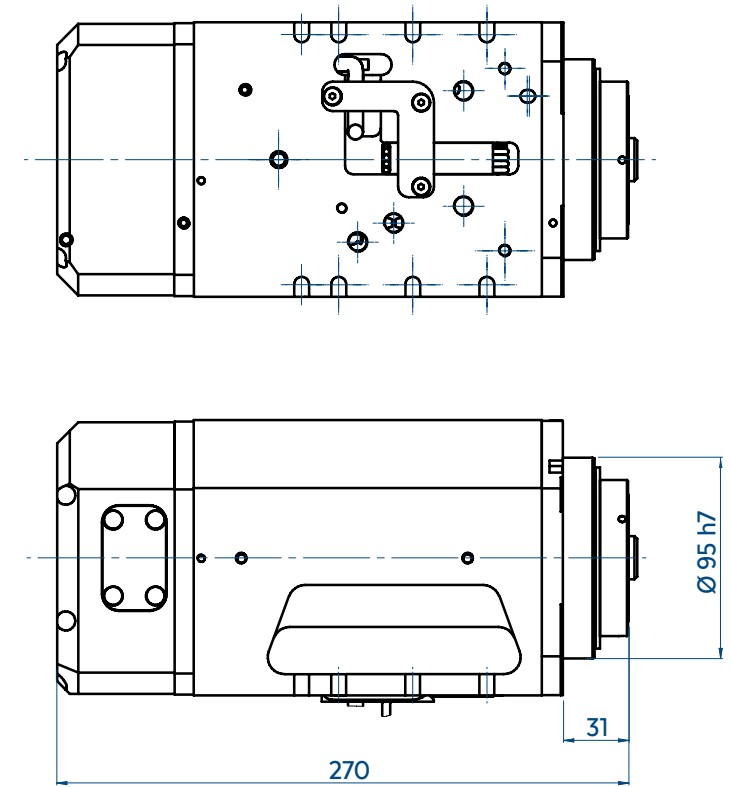
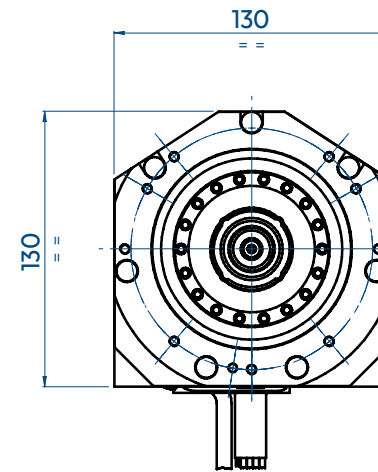
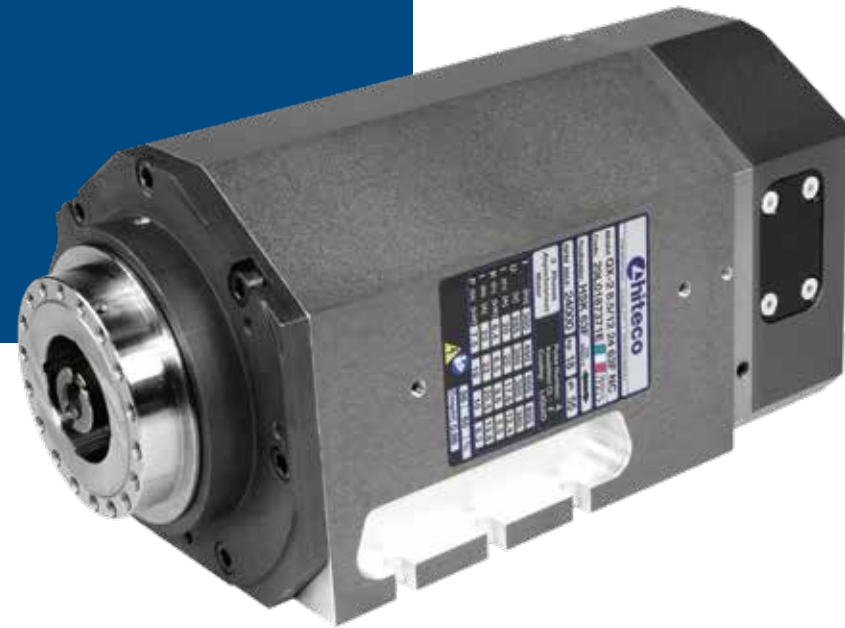
- Encoder
1 Vpp or TTL*
- Voltage 220V

*Quando l'unità è completa di encoder, le dimensioni cambiano rispetto a quelle rappresentate nel layout
*When the unit is with encoder the layout differs from the one represented in the plan

PRESTAZIONI PERFORMANCES



QX-2 10/12 24 63F NC



SPECIFICHE TECNICHE TECHNICAL SPECIFICATIONS

S1 kW 10	S6 kW 12
S1 Nm 8	S6 Nm 9,5
S1 A 23	S6 A 26
Volt 380	
Pol es 4	
Supply inverter	
rpm 24000	
kg 19	

EQUIPAGGIAMENTO EQUIPMENT

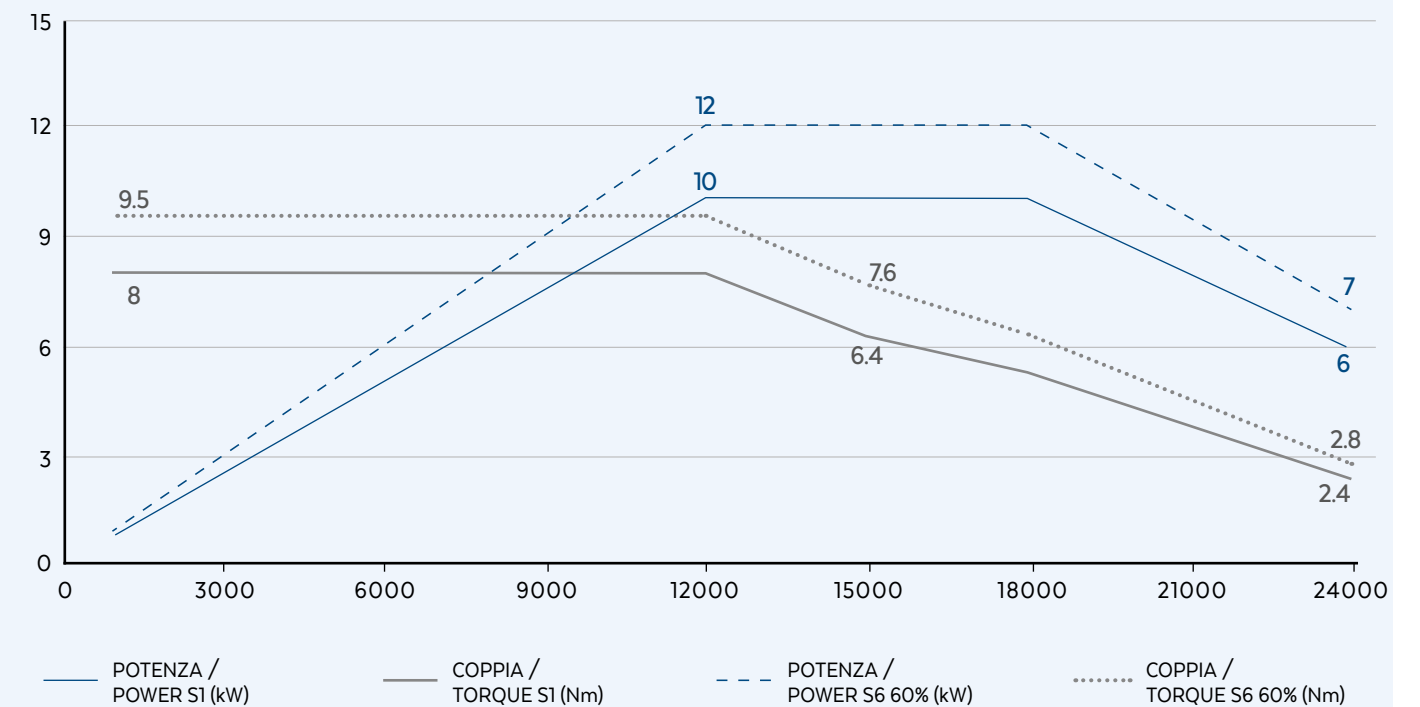
- HSK 63F
- Cuscinetti ceramici
Ceramic ball bearings
- Raffreddamento liquido
Liquid cooling

OPZIONALI OPTIONALS

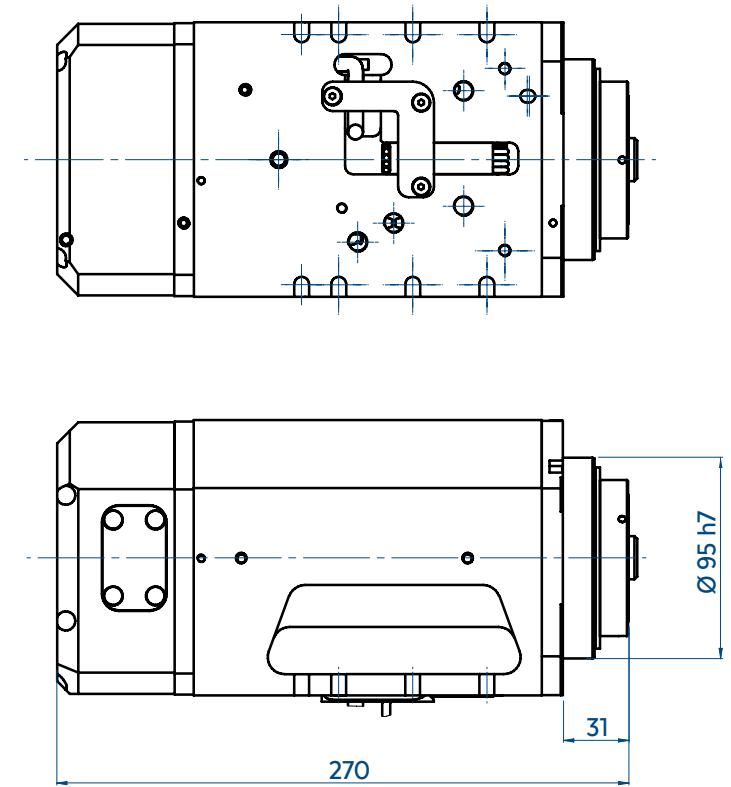
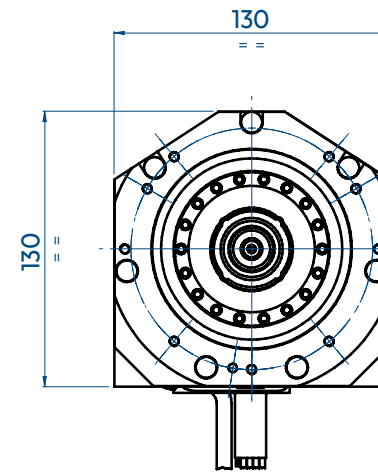
- Encoder
1 Vpp or TTL*
- Voltage 220V

*Quando l'unità è completa di encoder, le dimensioni cambiano rispetto a quelle rappresentate nel layout
*When the unit is with encoder the layout differs from the one represented in the plan

PRESTAZIONI PERFORMANCES



QX-2 11/12 24 63F NC



SPECIFICHE TECNICHE TECHNICAL SPECIFICATIONS

S1 kW 11	S6 kW 13,5
S1 Nm 8,8	S6 Nm 10,7
S1 A 24,5	S6 A 29,5
Volt 380	
Pol es 4	
Supply inverter	
rpm 24000	
kg 19	

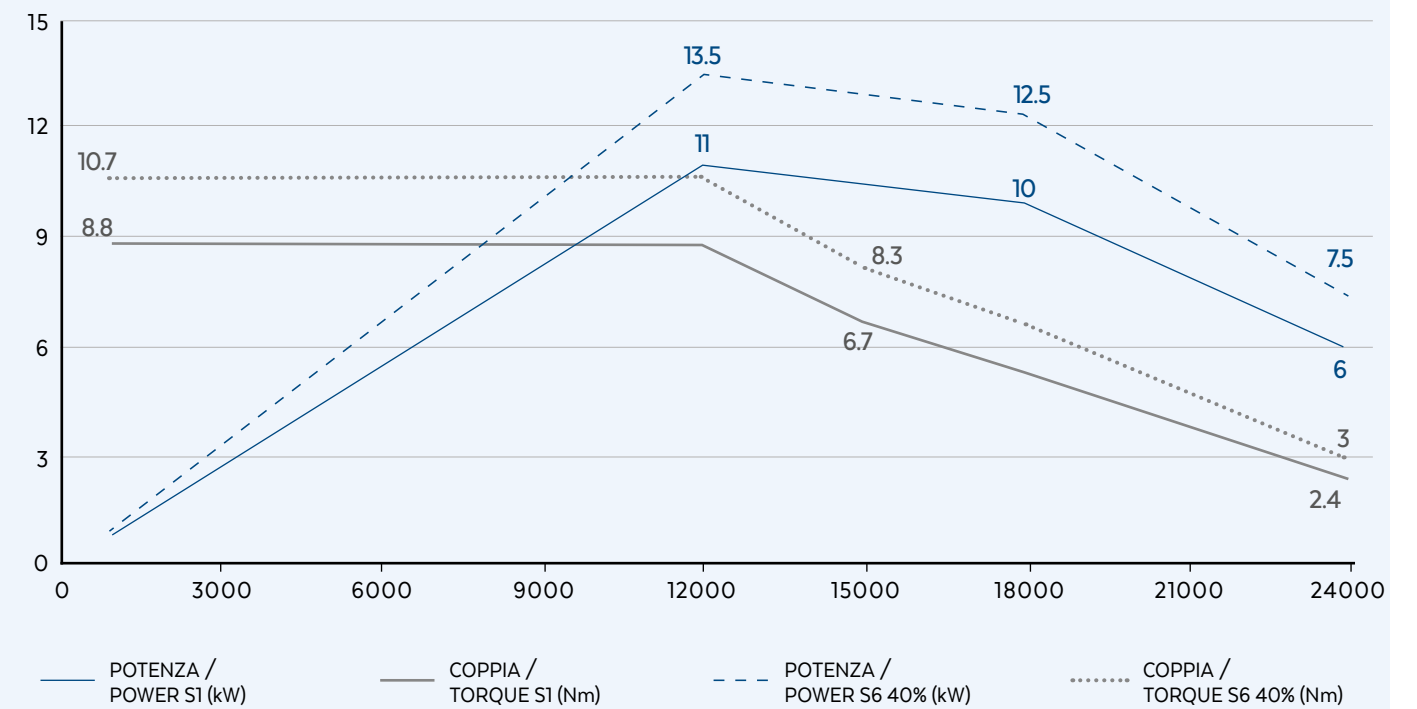
EQUIPAGGIAMENTO EQUIPMENT

- HSK 63F
- Cuscinetti ceramici
Ceramic ball bearings
- Raffreddamento liquido
Liquid cooling

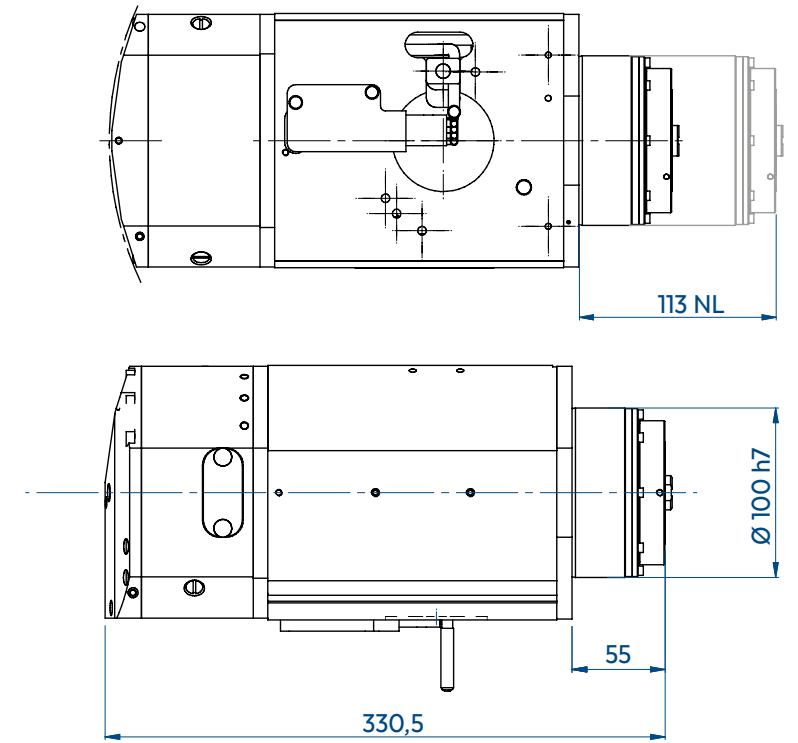
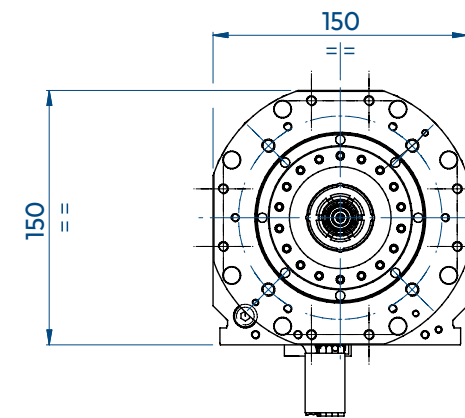
OPZIONALI OPTIONALS

- Encoder
1 Vpp or TTL*

PRESTAZIONI PERFORMANCES



PX-2 12/12 24 63F NC SC



SPECIFICHE TECNICHE TECHNICAL SPECIFICATIONS

S1 kW 12	S6 kW 14
S1 Nm 9,5	S6 Nm 11,1
S1 A 26	S6 A 29
Volt 380	
Pol es 4	
Supply inverter	
rpm 24000	
kg 25	

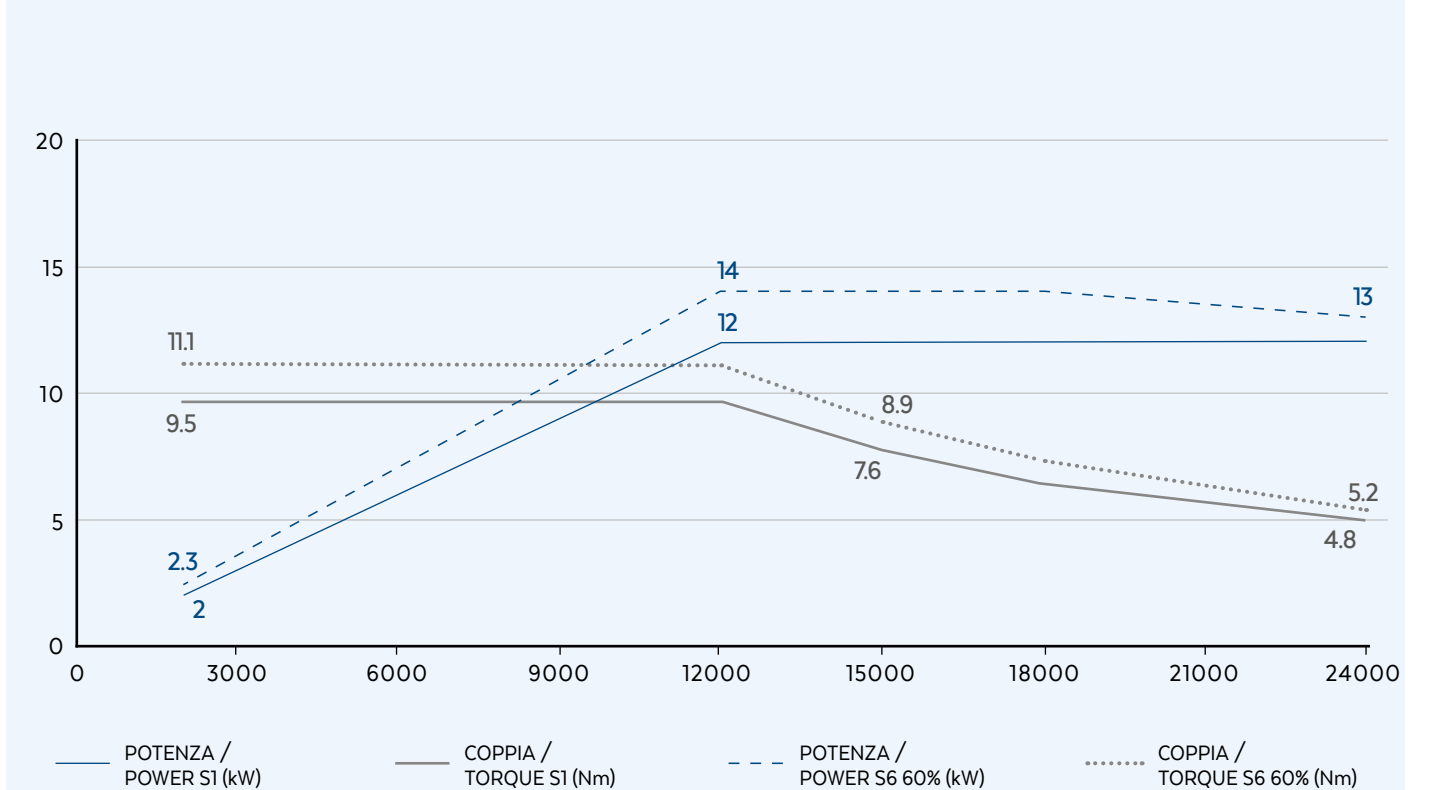
EQUIPAGGIAMENTO EQUIPMENT

- HSK 63F
- Cuscinetti ceramici
Ceramic ball bearings
- Raffreddamento liquido
Liquid cooling

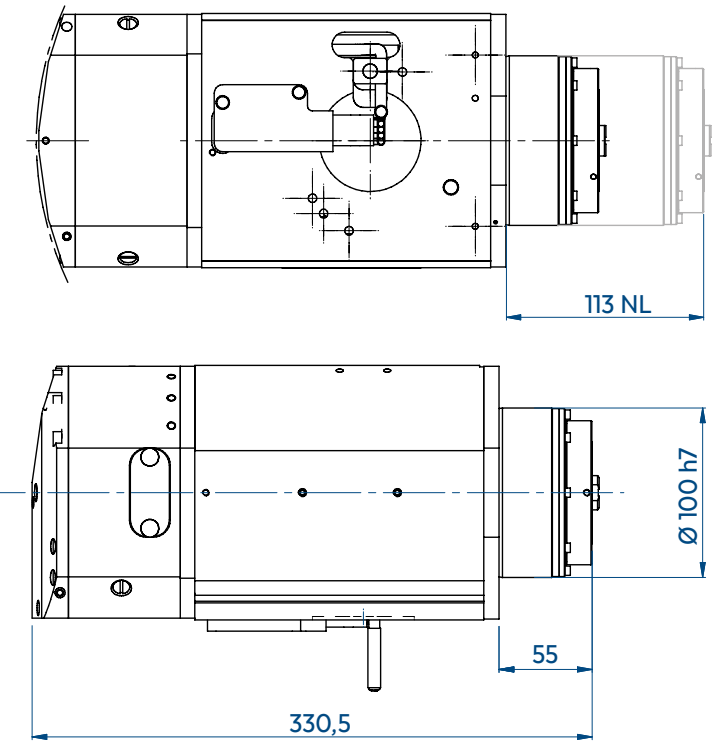
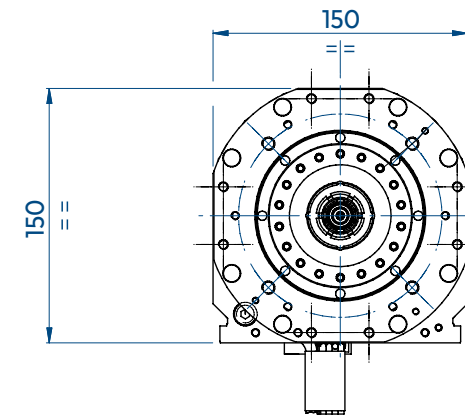
OPZIONALI OPTIONALS

- Encoder 1 Vpp or TTL
- Naso lungo
Long nose
- Oil mist/MQL
- Air tool

PRESTAZIONI PERFORMANCES



PX-2 15/12 24 63F NC SC



SPECIFICHE TECNICHE TECHNICAL SPECIFICATIONS

S1 kW 15	S6 kW 17
S1 Nm 11,9	S6 Nm 13,8
S1 A 30	S6 A 33
Volt 380	
Pol es 4	
Supply inverter	
rpm 24000	
kg 25	

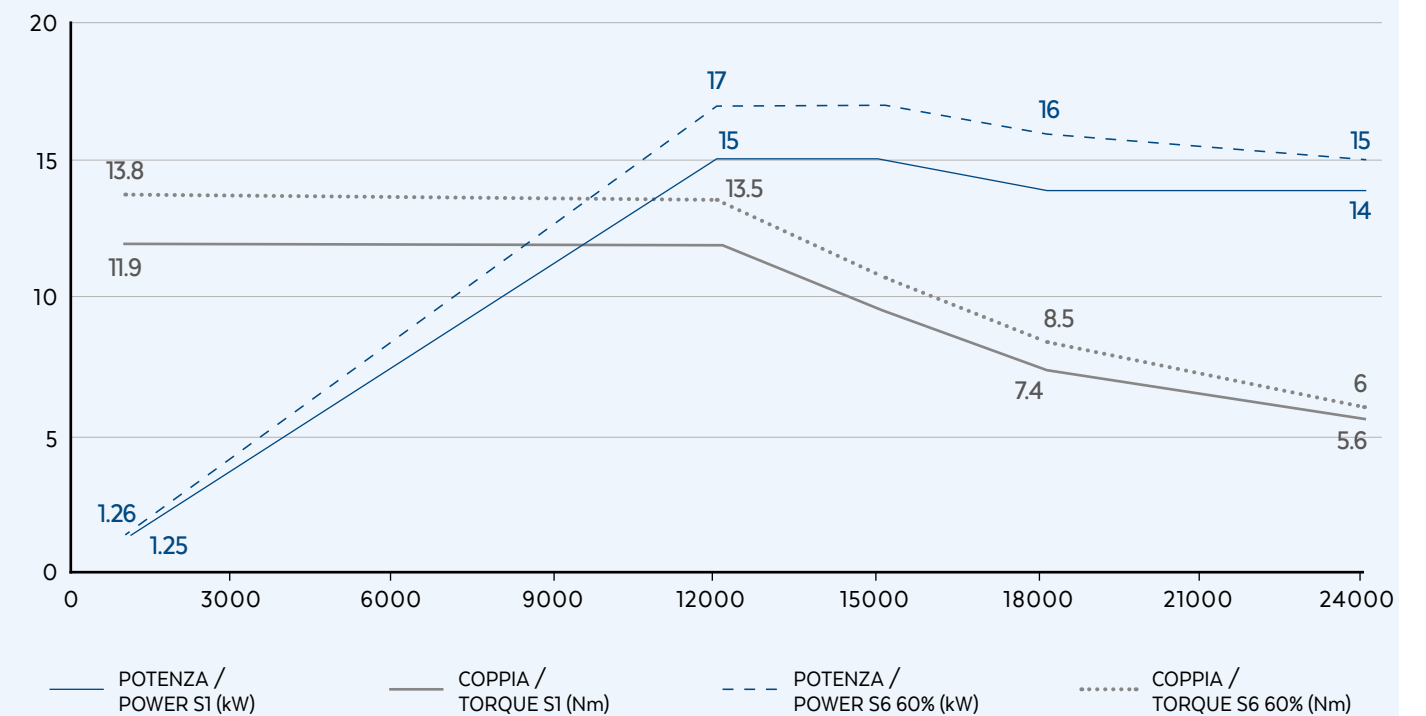
EQUIPAGGIAMENTO EQUIPMENT

- HSK 63F
- Cuscinetti ceramici
Ceramic ball bearings
- Raffreddamento liquido
Liquid cooling

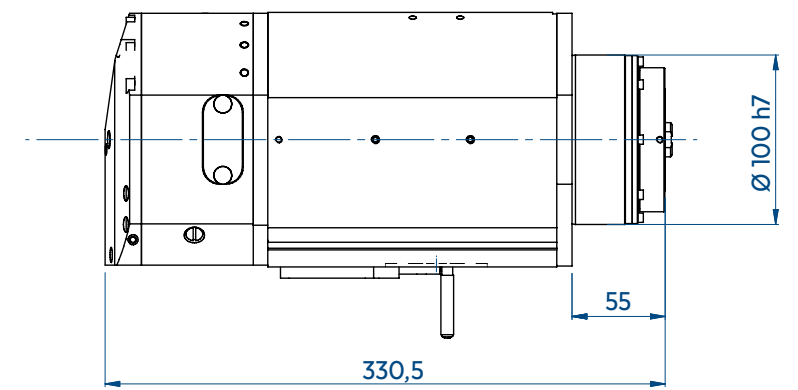
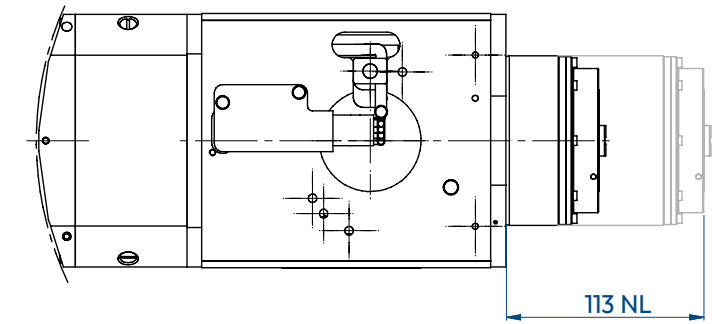
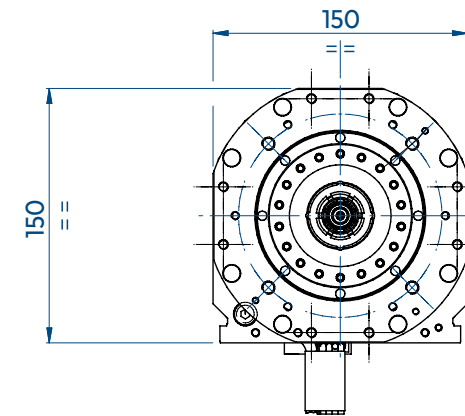
OPZIONALI OPTIONALS

- Encoder 1 Vpp or TTL
- Naso lungo
Long nose
- Oil mist/MQL
- Air tool
- HSK 63E for NC
- HSK 63A

PRESTAZIONI PERFORMANCES



PX-2 18/12 24 63F NC SC



SPECIFICHE TECNICHE TECHNICAL SPECIFICATIONS

S1 kW 18	S6 kW 20
S1 Nm 14,3	S6 Nm 15,9
S1 A 35	S6 A 38,5
Volt 380	
Pol es 4	
Supply inverter	
rpm 24000	
kg 25	

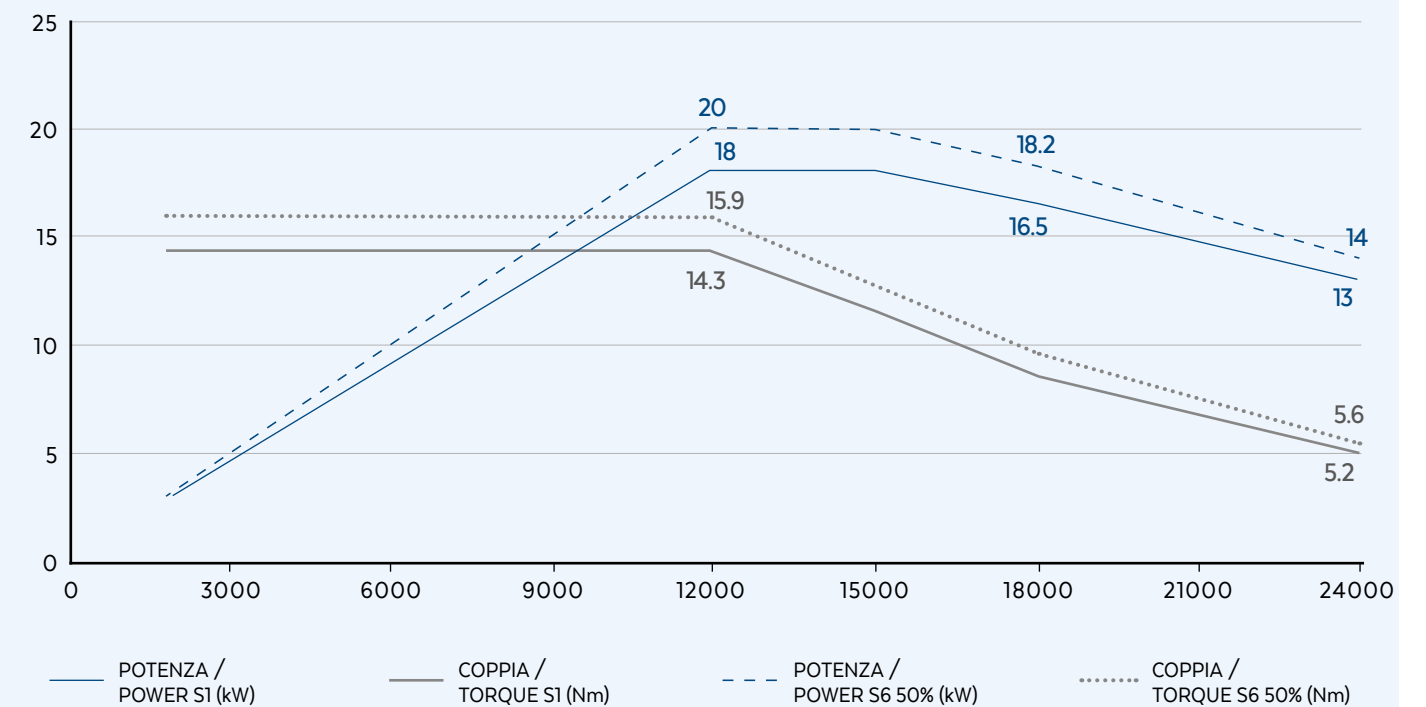
EQUIPAGGIAMENTO EQUIPMENT

- HSK 63F
- Cuscinetti ceramici
Ceramic ball bearings
- Raffreddamento liquido
Liquid cooling

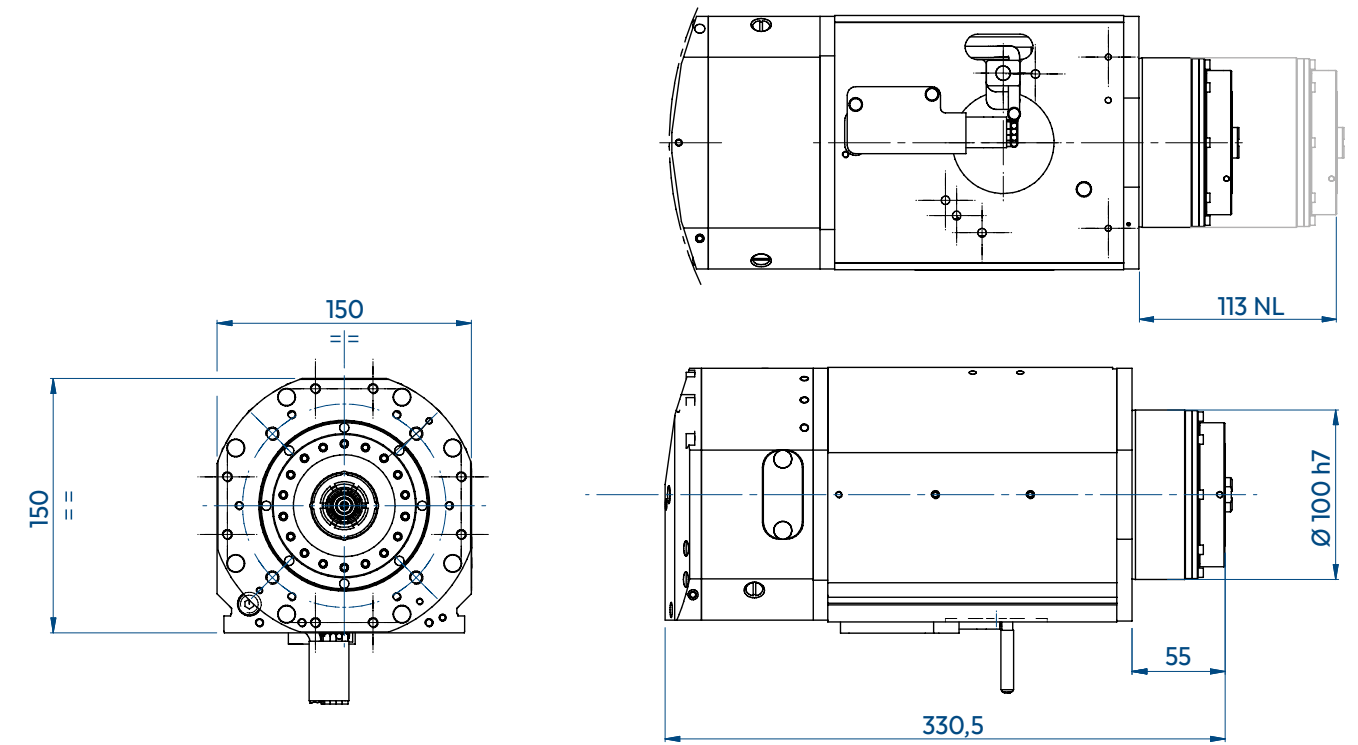
OPZIONALI OPTIONALS

- Encoder 1 Vpp or TTL
- Naso lungo
Long nose
- Oil mist/MQL
- Air tool
- HSK 63E for NC
- HSK 63A

PRESTAZIONI PERFORMANCES



PX-2 20/10 24 63A NC SC SYNCRONOUS



SPECIFICHE TECNICHE TECHNICAL SPECIFICATIONS

S1 kW 20	S6 kW 22,3
S1 Nm 17,8	S6 Nm 20,1
S1 A 48	S6 A 50
Volt 380	
Pol es 4	
Supply inverter	
rpm 24000	
kg 25	

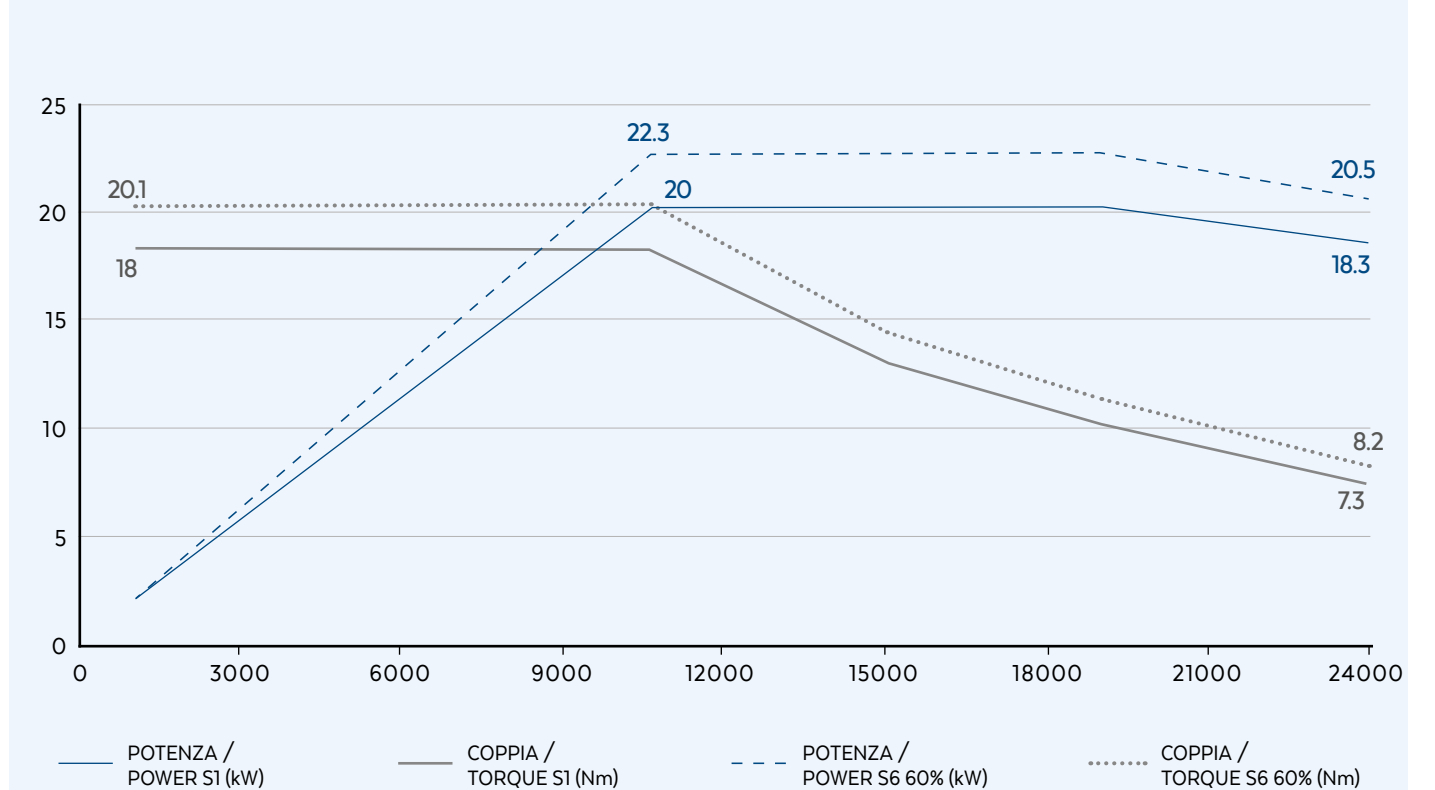
EQUIPAGGIAMENTO EQUIPMENT

- HSK 63A
- Cuscinetti ceramici
Ceramic ball bearings
- Raffreddamento liquido
Liquid cooling

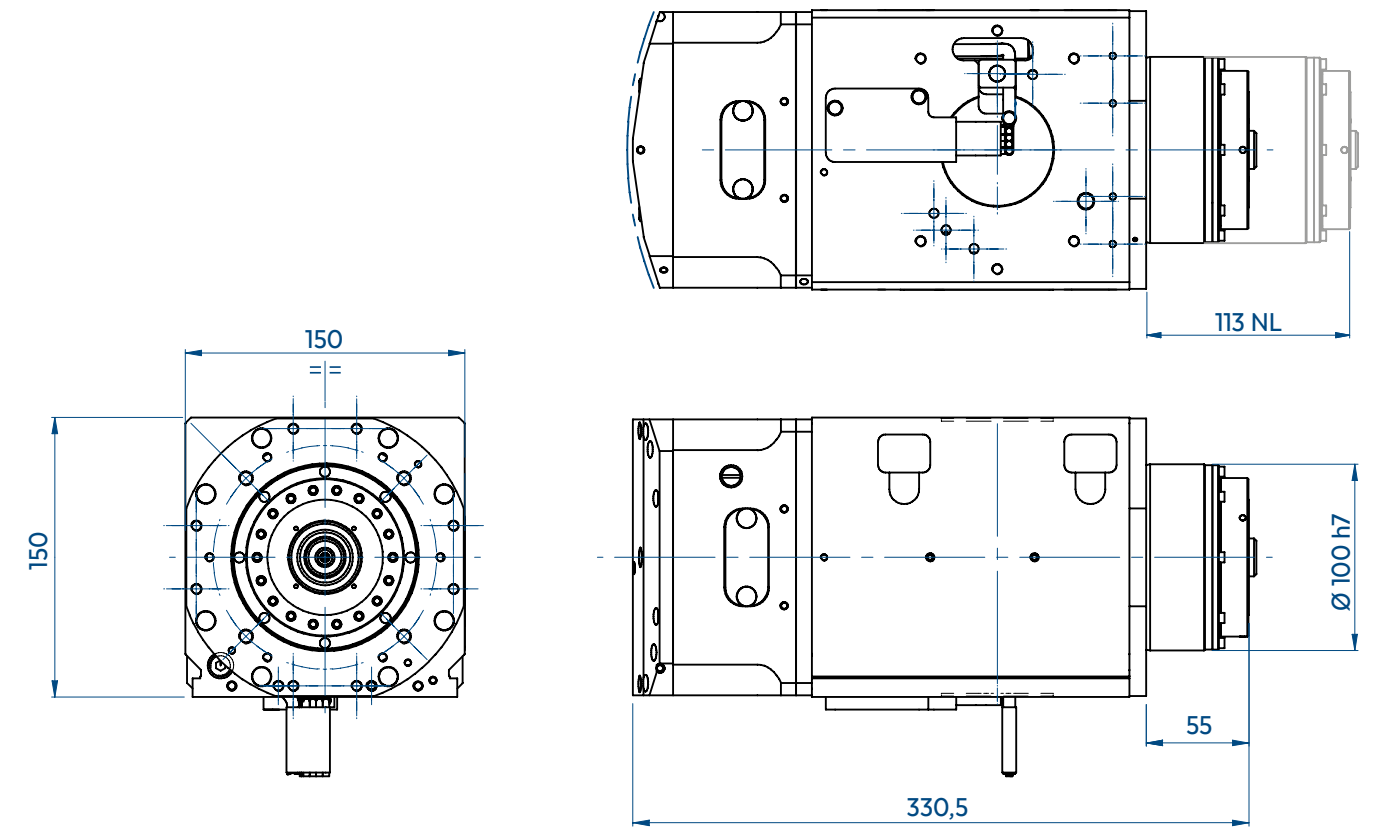
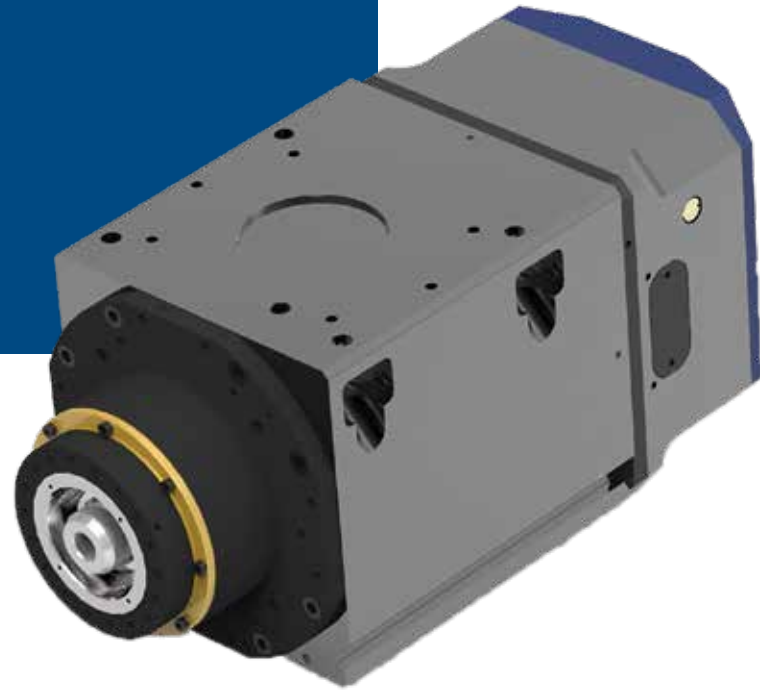
OPZIONALI OPTIONALS

- Encoder 1 Vpp
- Naso lungo
Long nose
- Oil mist/MQL
- Air tool
- HSK 63E for NC

PRESTAZIONI PERFORMANCES



HX-2 12/12 24 63F NC SC



SPECIFICHE TECNICHE TECHNICAL SPECIFICATIONS

S1 kW 12	S6 kW 14
S1 Nm 9,5	S6 Nm 11,1
S1 A 26	S6 A 29
Volt 380	
Pol es 4	
Supply inverter	
rpm 24000	
kg 25	

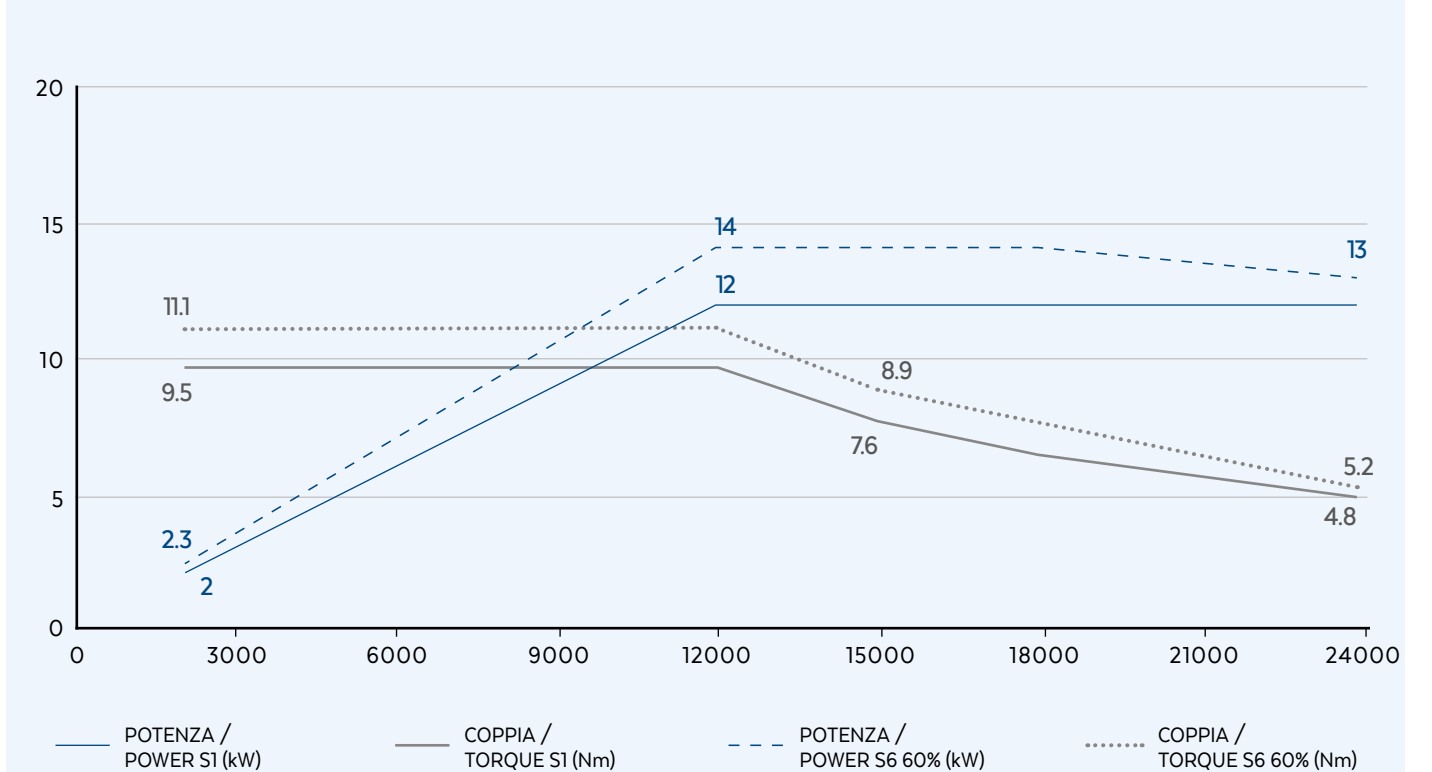
EQUIPAGGIAMENTO EQUIPMENT

- HSK 63F
- Cuscinetti ceramici
Ceramic ball bearings
- Raffreddamento liquido
Liquid cooling

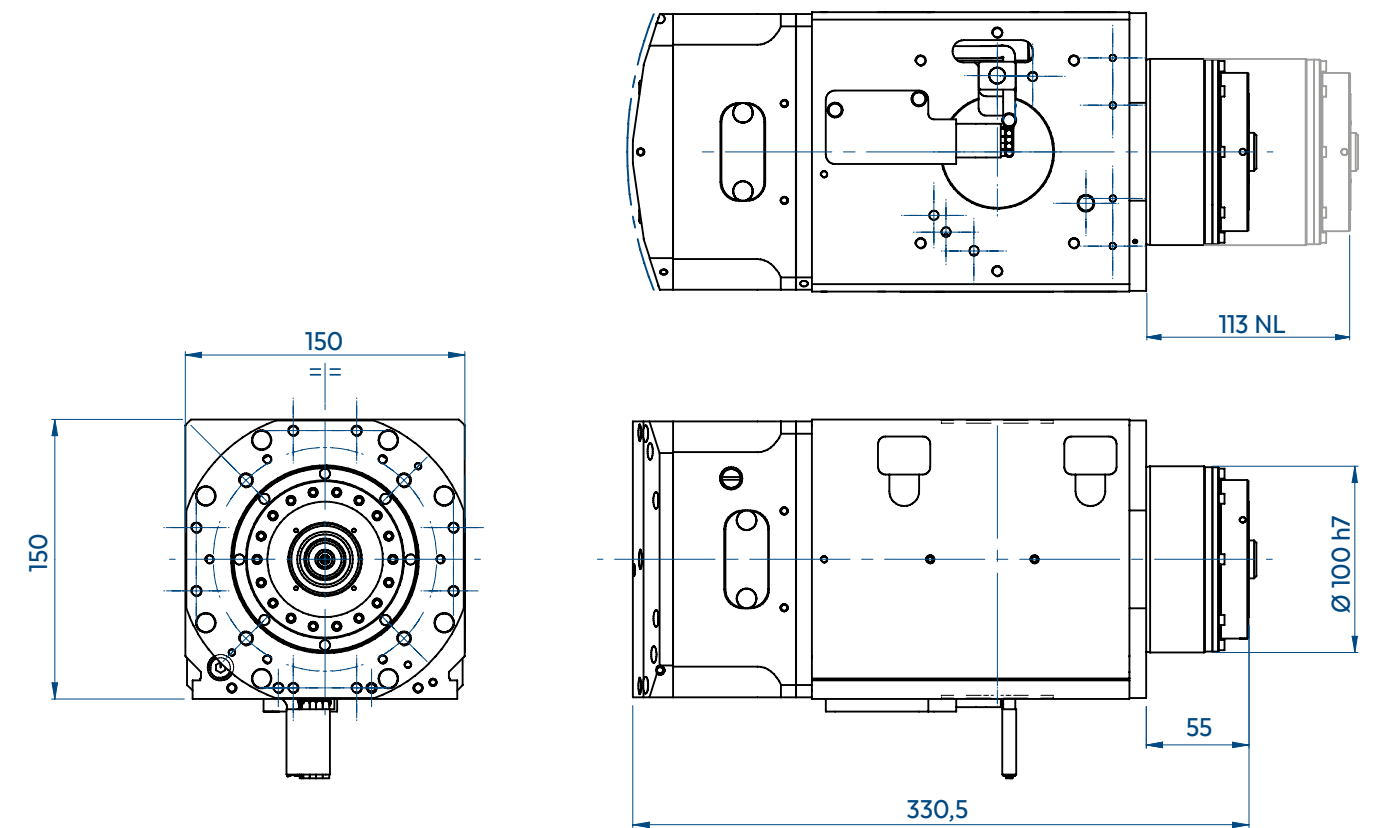
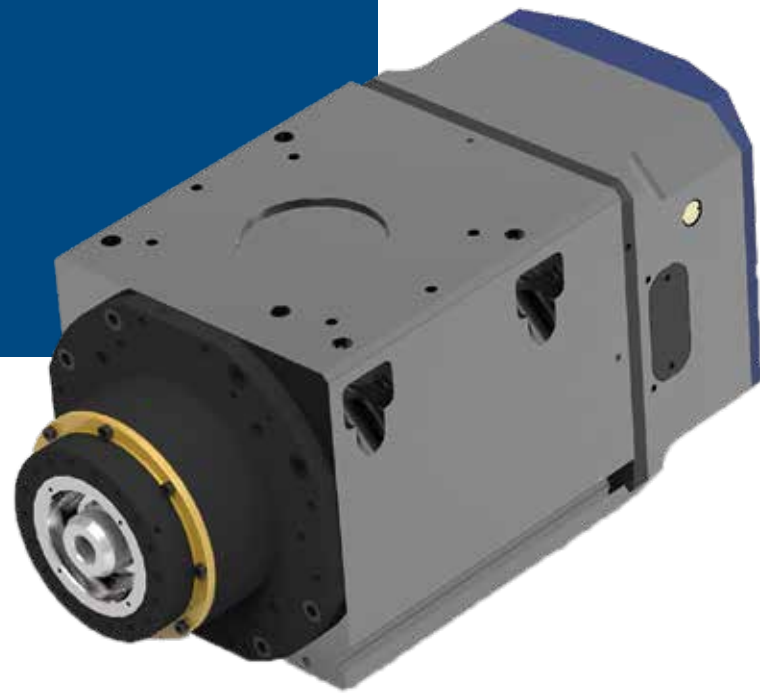
OPZIONALI OPTIONALS

- Encoder 1 Vpp or TTL
- Naso lungo
Long nose
- Oil mist/MQL
- Air tool

PRESTAZIONI PERFORMANCES



HX-2 15/12 24 63F NC SC



SPECIFICHE TECNICHE TECHNICAL SPECIFICATIONS

S1 kW 15	S6 kW 17
S1 Nm 11,9	S6 Nm 13,8
S1 A 30	S6 A 33
Volt 380	
Pol es 4	
Supply inverter	
rpm 24000	
kg 25	

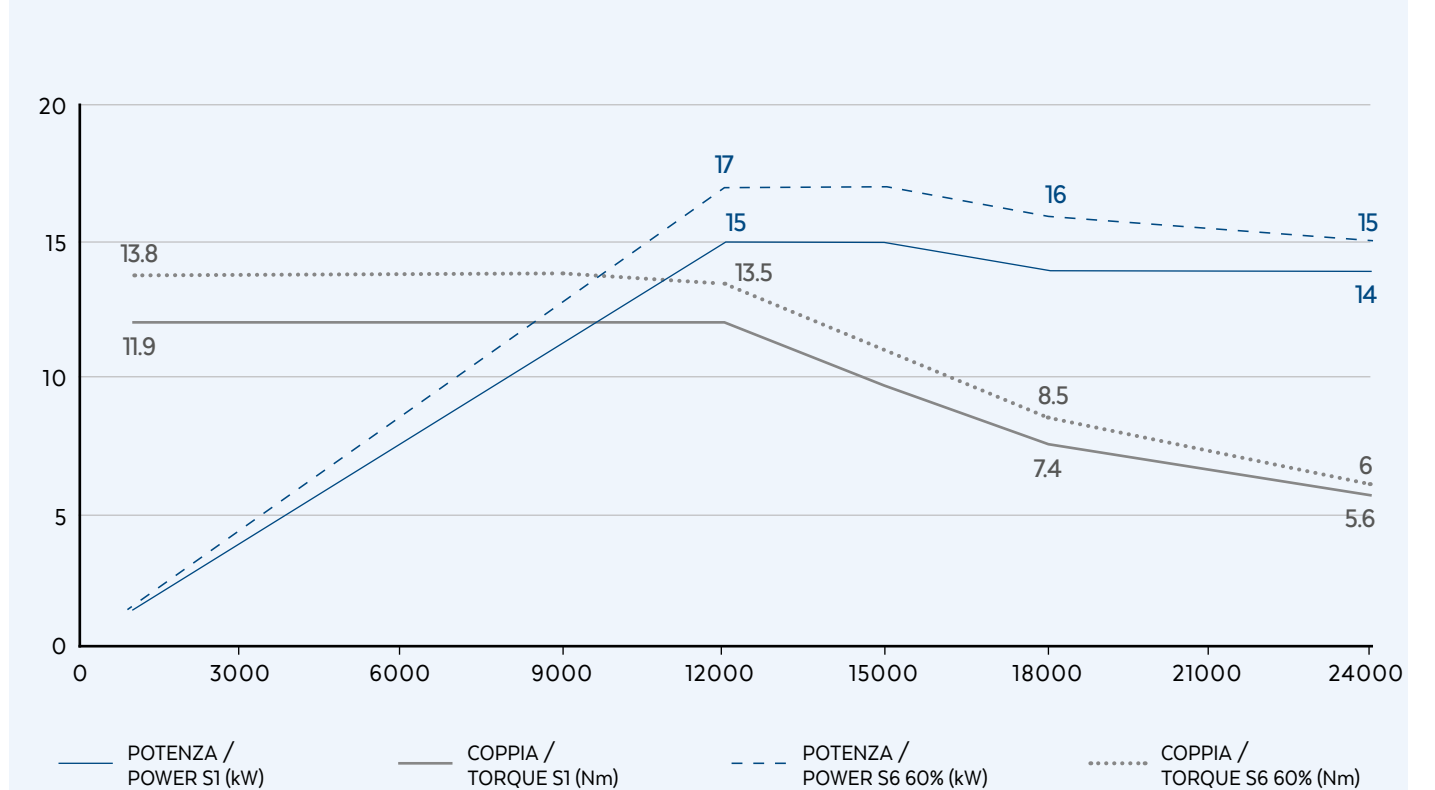
EQUIPAGGIAMENTO EQUIPMENT

- HSK 63F
- Cuscinetti ceramici
Ceramic ball bearings
- Raffreddamento liquido
Liquid cooling

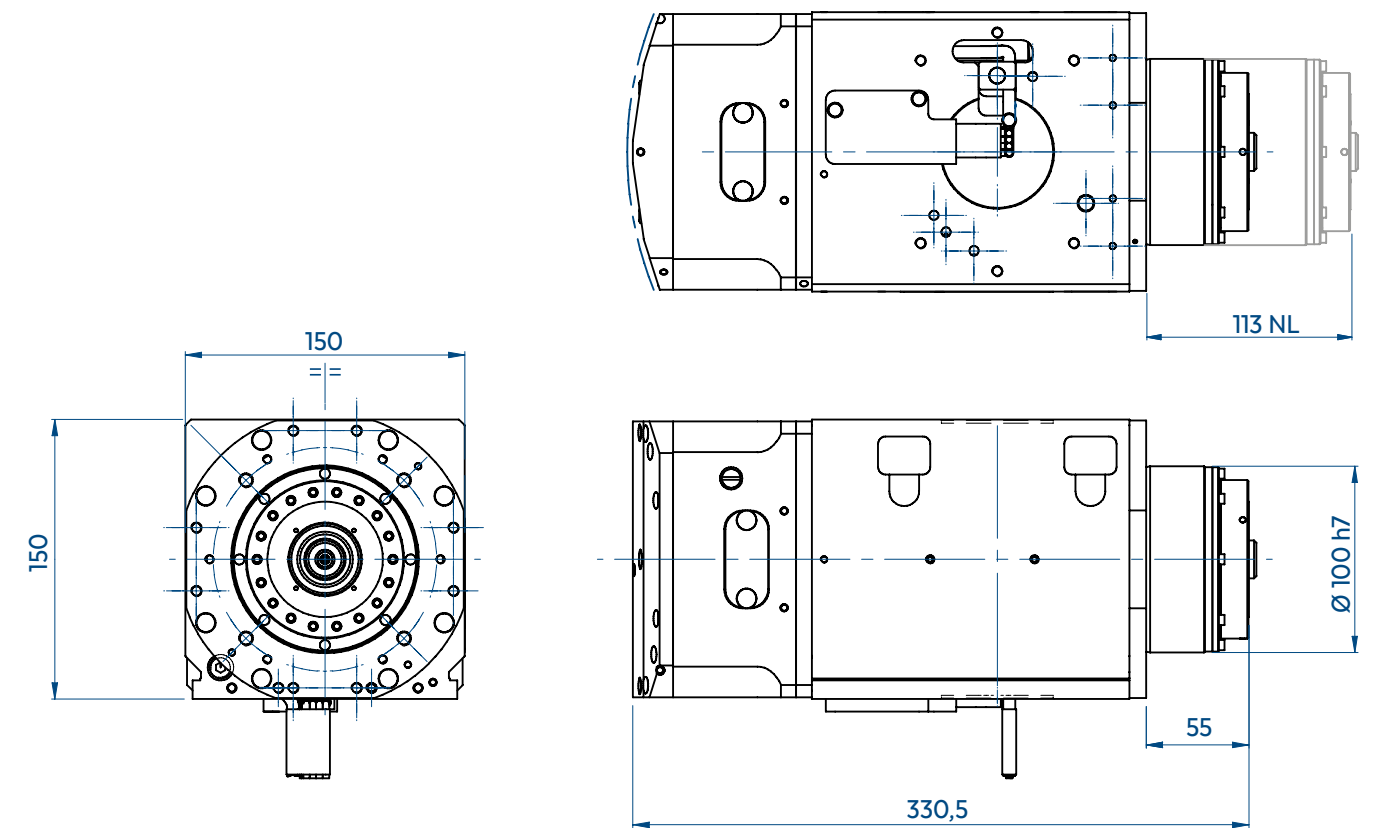
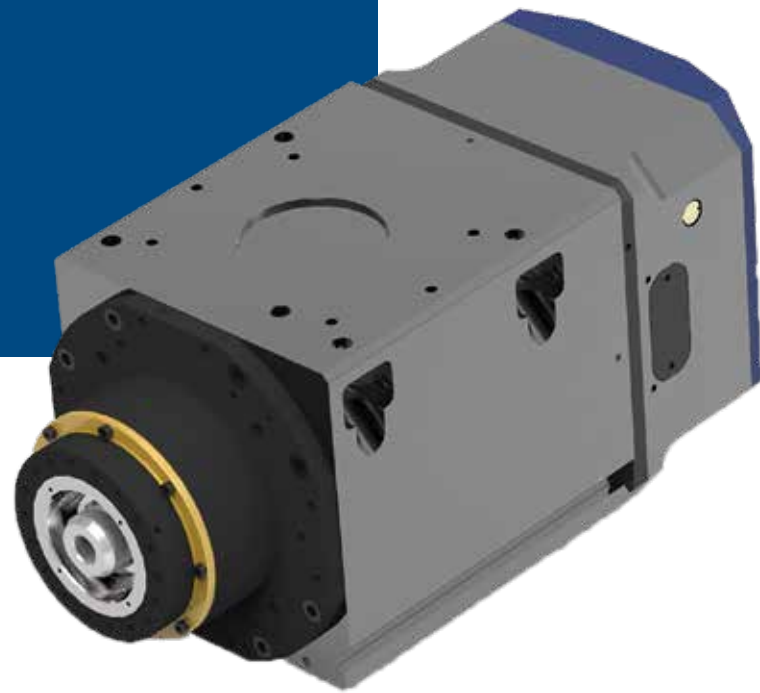
OPZIONALI OPTIONALS

- Encoder 1 Vpp or TTL
- Naso lungo
Long nose
- Oil mist/MQL
- Air tool
- HSK 63E for NC
- HSK 63A

PRESTAZIONI PERFORMANCES



HX-2 18/12 24 63F NC SC



SPECIFICHE TECNICHE TECHNICAL SPECIFICATIONS

S1 kW 18	S6 kW 20
S1 Nm 14,3	S6 Nm 15,9
S1 A 35	S6 A 38,5
Volt 380	
Pol es 4	
Supply inverter	
rpm 24000	
kg 25	

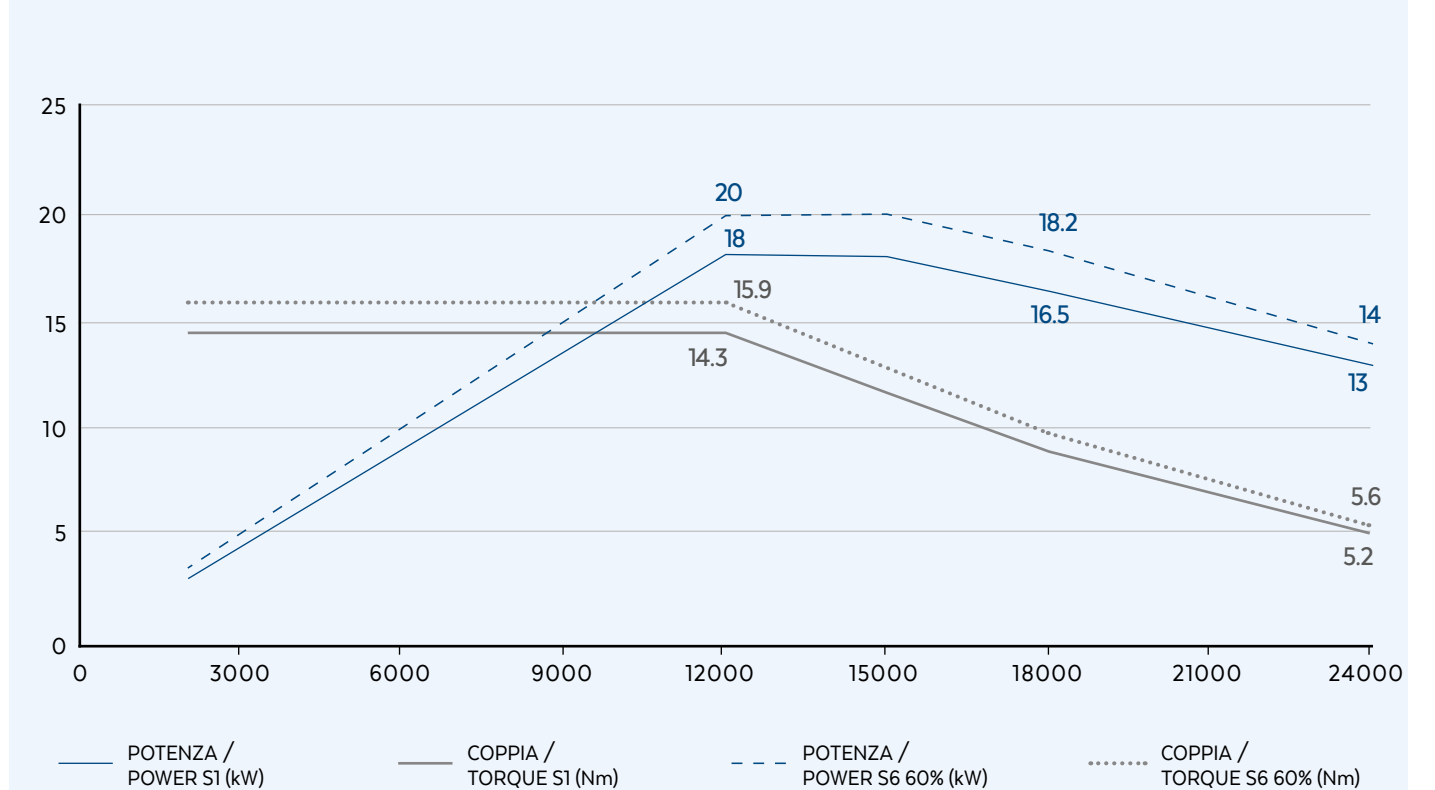
EQUIPAGGIAMENTO EQUIPMENT

- HSK 63F
- Cuscinetti ceramici
Ceramic ball bearings
- Raffreddamento liquido
Liquid cooling

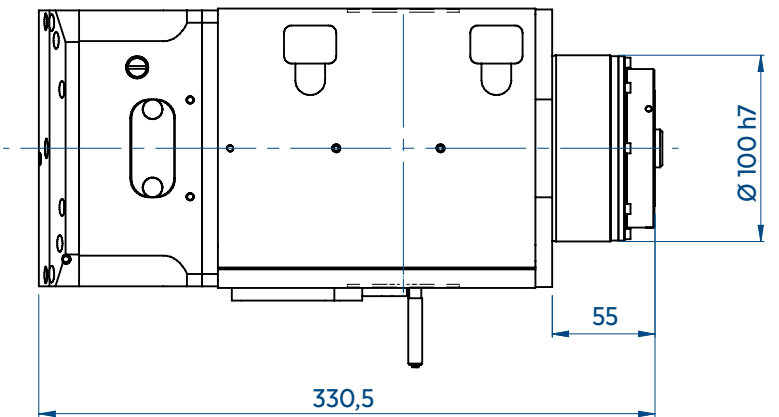
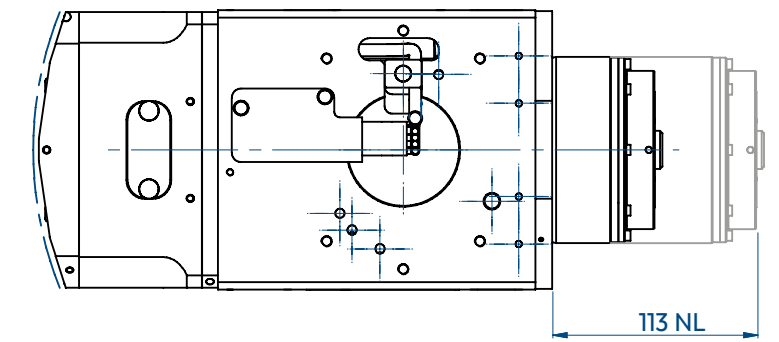
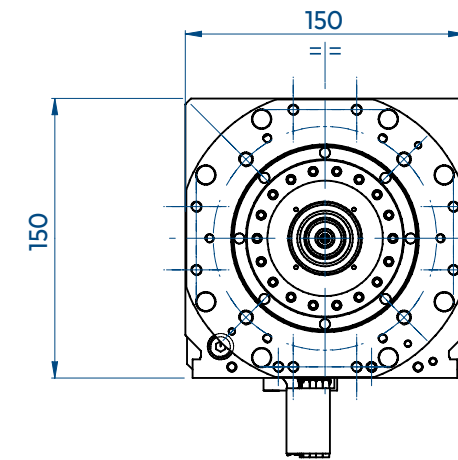
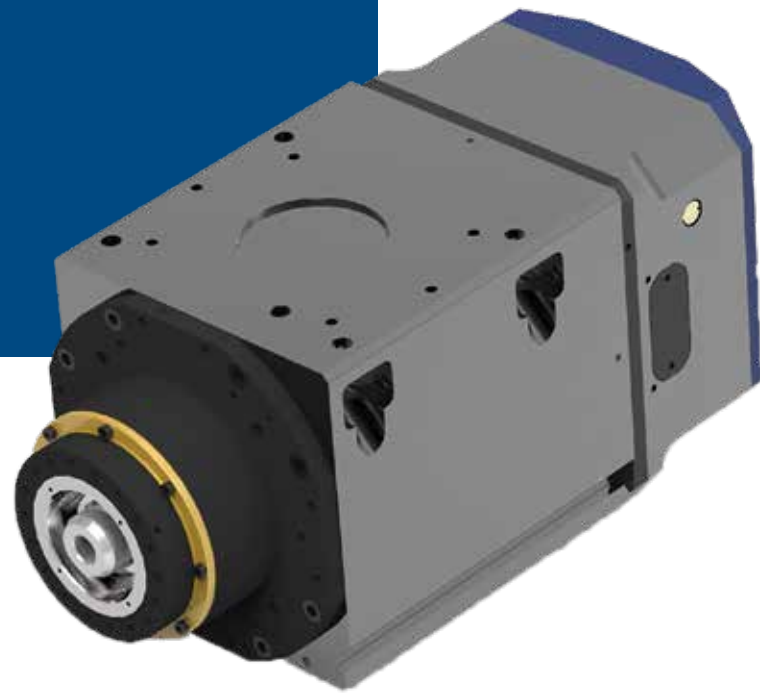
OPZIONALI OPTIONALS

- Encoder 1 Vpp or TTL
- Naso lungo
Long nose
- Oil mist/MQL
- Air tool
- HSK 63E for NC
- HSK 63A

PRESTAZIONI PERFORMANCES



HX-2 20/10 24 63A NC SC SYNCRONOUS



SPECIFICHE TECNICHE TECHNICAL SPECIFICATIONS

S1 kW 20	S6 kW 22,3
S1 Nm 17,8	S6 Nm 20,1
S1 A 48	S6 A 50
Volt 380	
Pol es 4	
Supply inverter	
rpm 24000	
kg 25	

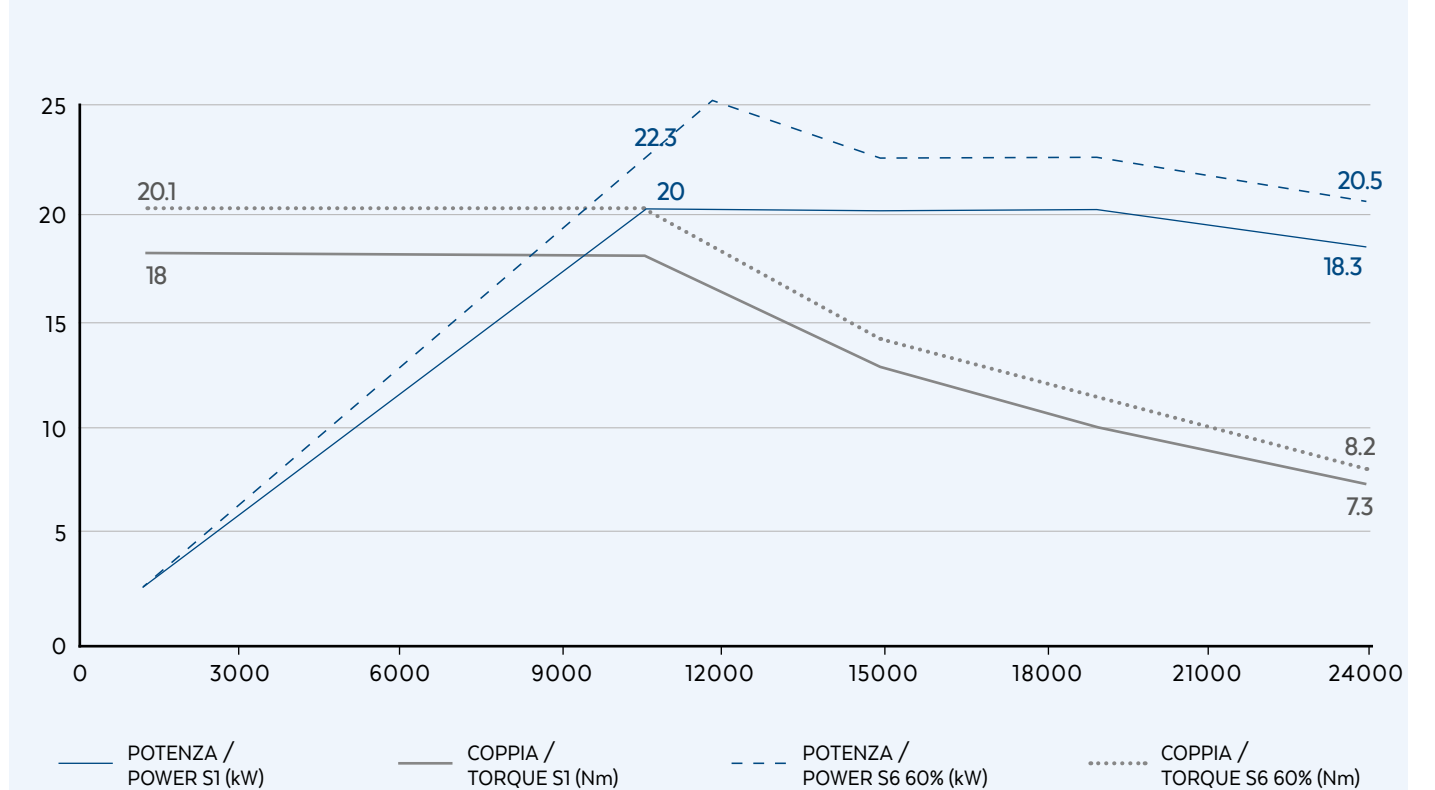
EQUIPAGGIAMENTO EQUIPMENT

- HSK 63A
- Cuscinetti ceramici
Ceramic ball bearings
- Raffreddamento liquido
Liquid cooling

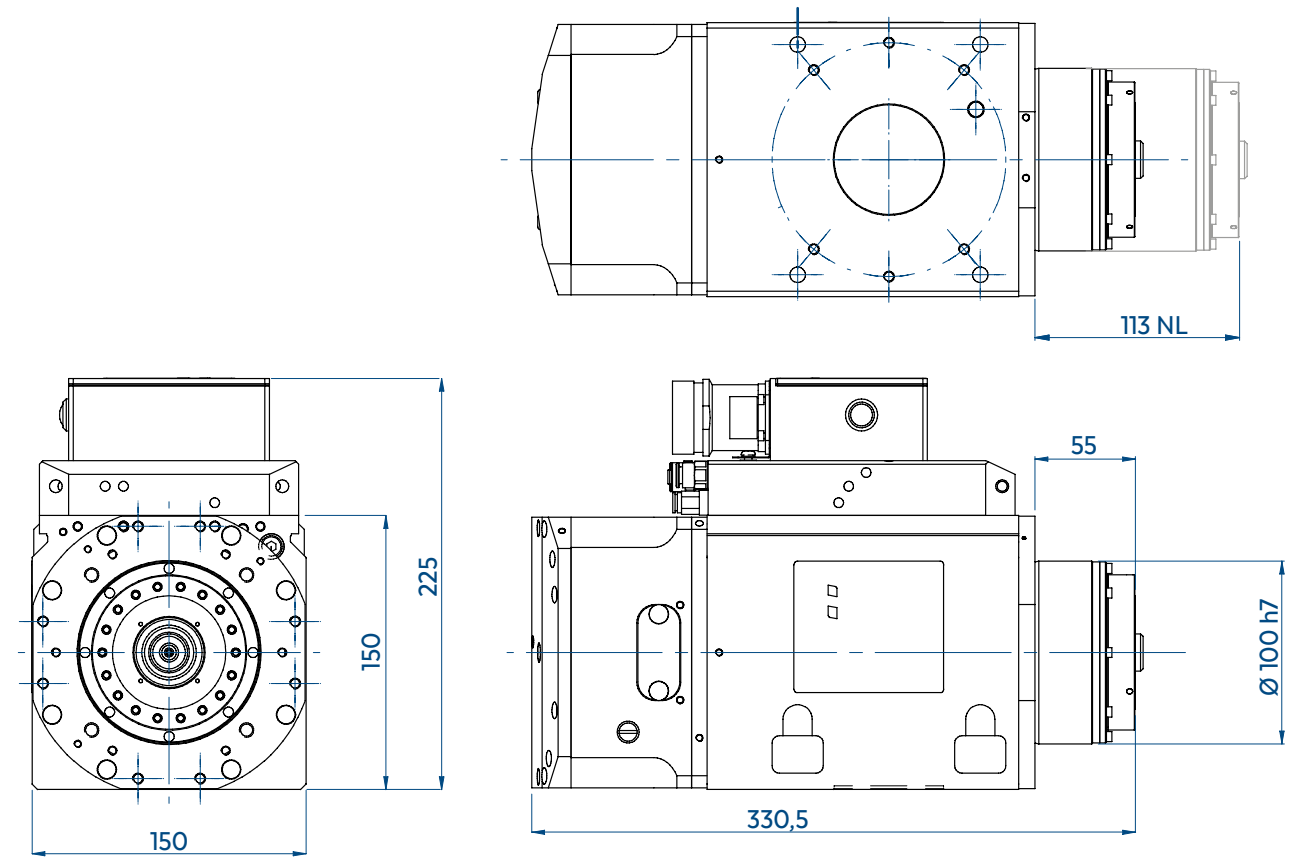
OPZIONALI OPTIONALS

- Encoder 1 Vpp
- Naso lungo
Long nose
- Oil mist/MQL
- Air tool
- HSK 63E for NC

PRESTAZIONI PERFORMANCES



HX-2 12/12 24 63F NC 3 AXIS CC



SPECIFICHE TECNICHE TECHNICAL SPECIFICATIONS

S1 kW 12	S6 kW 14
S1 Nm 9,5	S6 Nm 11,1
S1 A 26	S6 A 29
Volt 380	
Pol es 4	
Supply inverter	
rpm 24000	
kg 25	

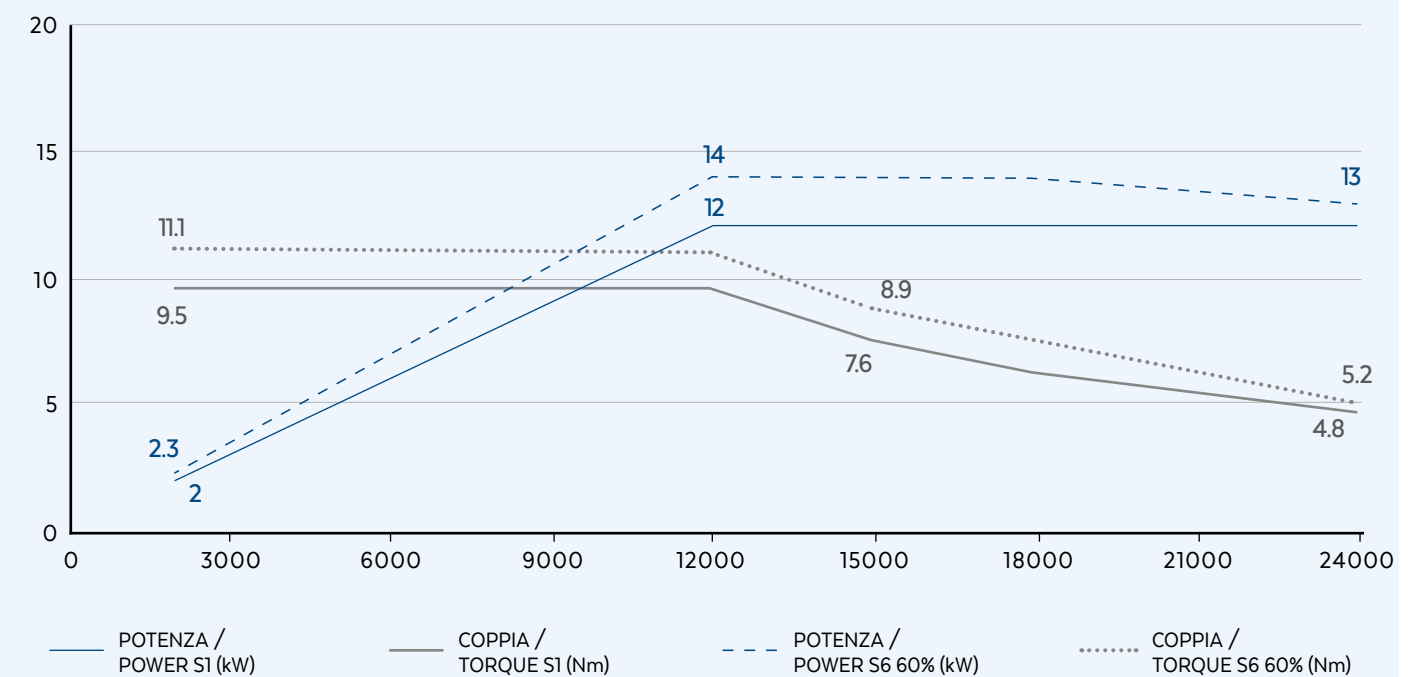
EQUIPAGGIAMENTO EQUIPMENT

- HSK 63F
- Cuscinetti ceramici
Ceramic ball bearings
- Raffreddamento liquido
Liquid cooling
- CC circular connector

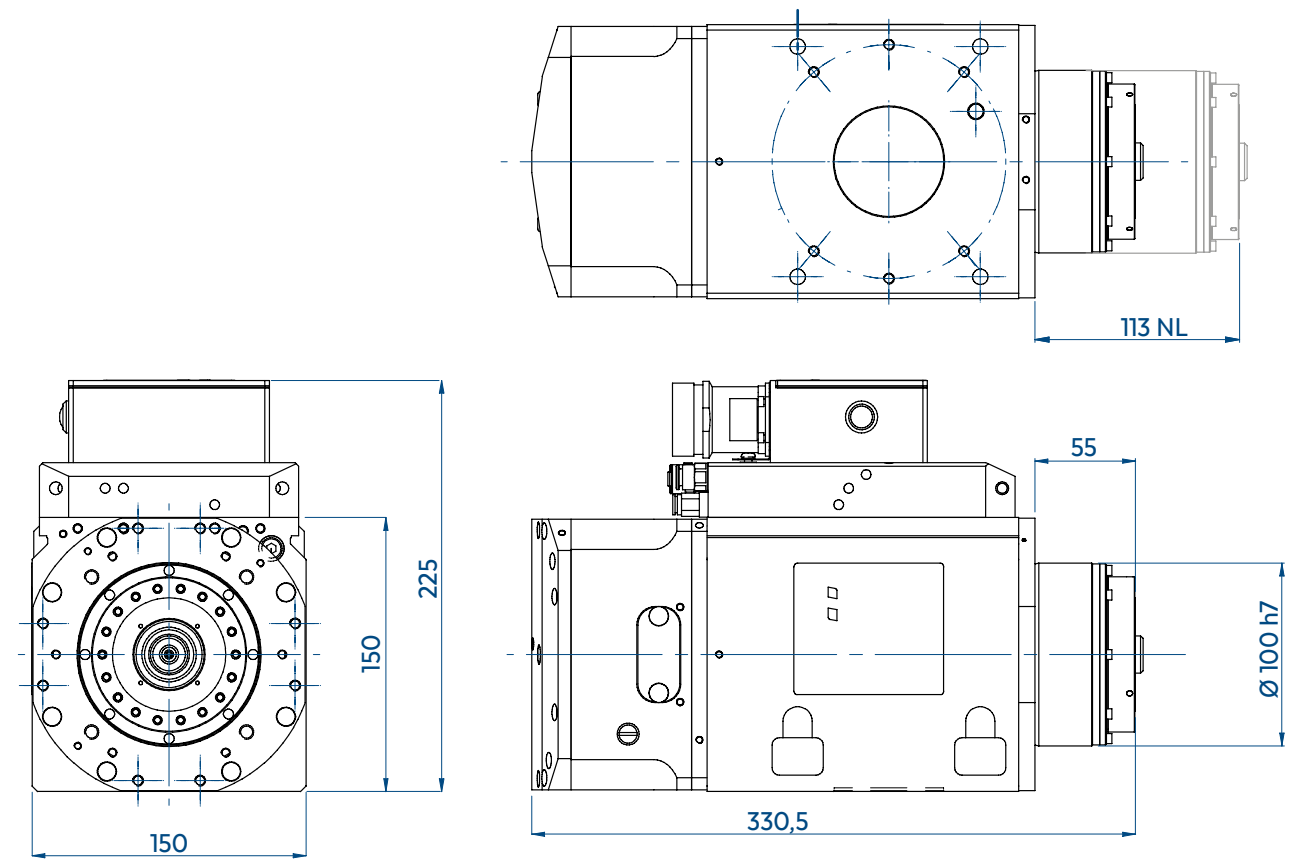
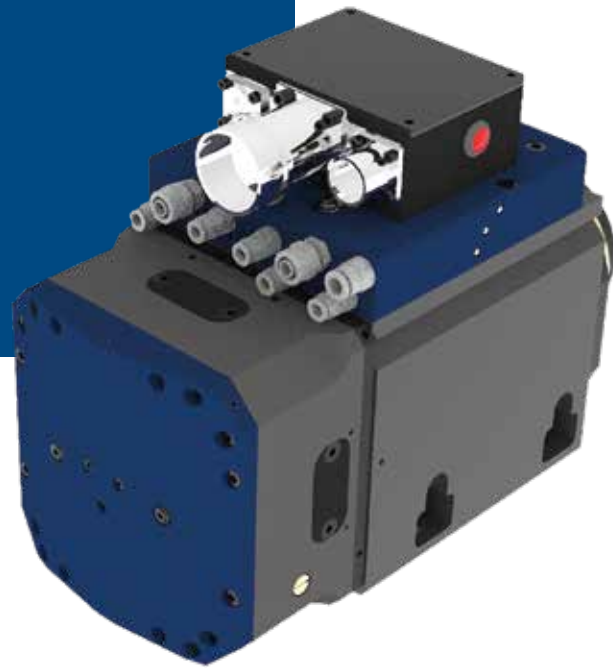
OPZIONALI OPTIONALS

- Encoder 1Vpp
- Naso lungo
Long nose
- Oil mist/MQL
- Air tool
- CC circular connector
Female

PRESTAZIONI PERFORMANCES



HX-2 15/12 24 63F NC 3 AXIS CC



SPECIFICHE TECNICHE TECHNICAL SPECIFICATIONS

S1 kW 15	S6 kW 17
S1 Nm 11,9	S6 Nm 13,8
S1 A 30	S6 A 33
Volt 380	
Pol es 4	
Supply inverter	
rpm 24000	
kg 25	

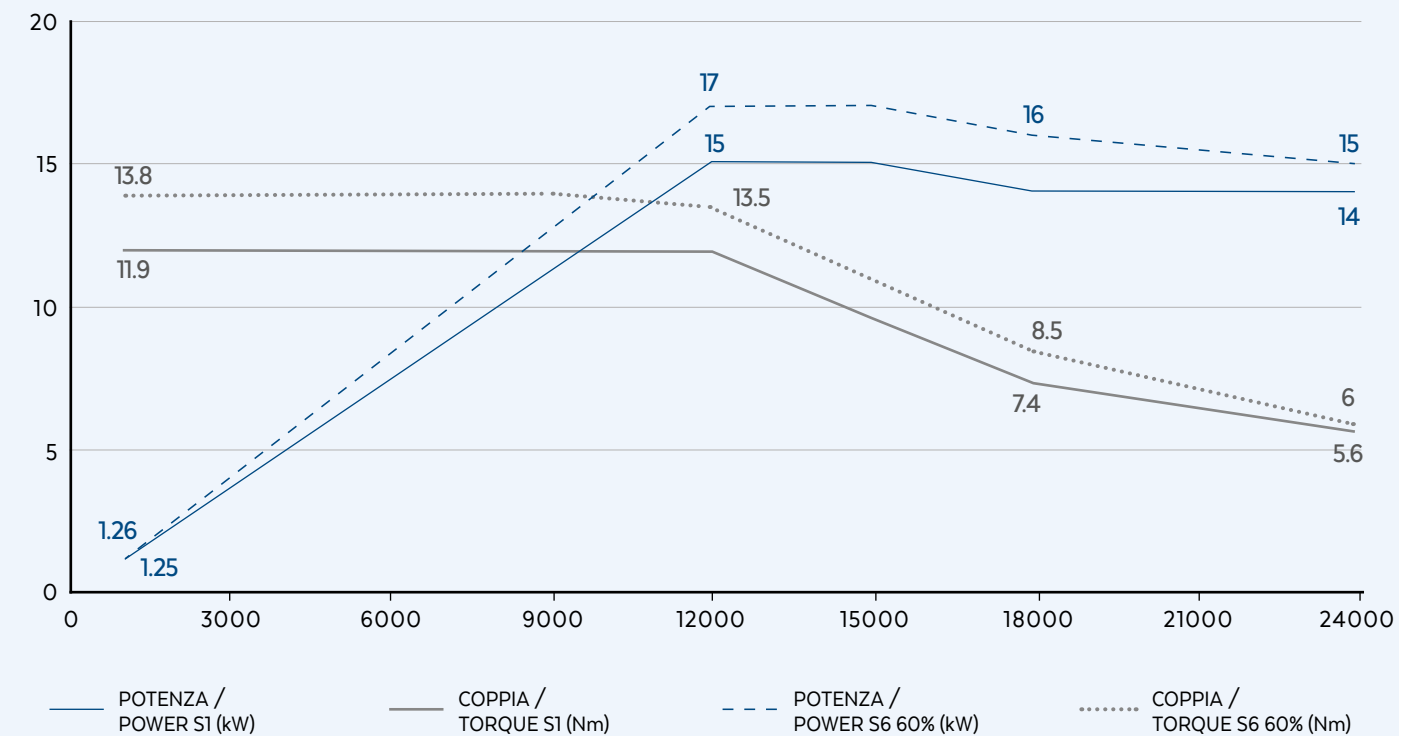
EQUIPAGGIAMENTO EQUIPMENT

- Cuscinetti ceramici
Ceramic ball bearings HSK 63F
- Raffreddamento liquido
Liquid cooling
- CC circular connector

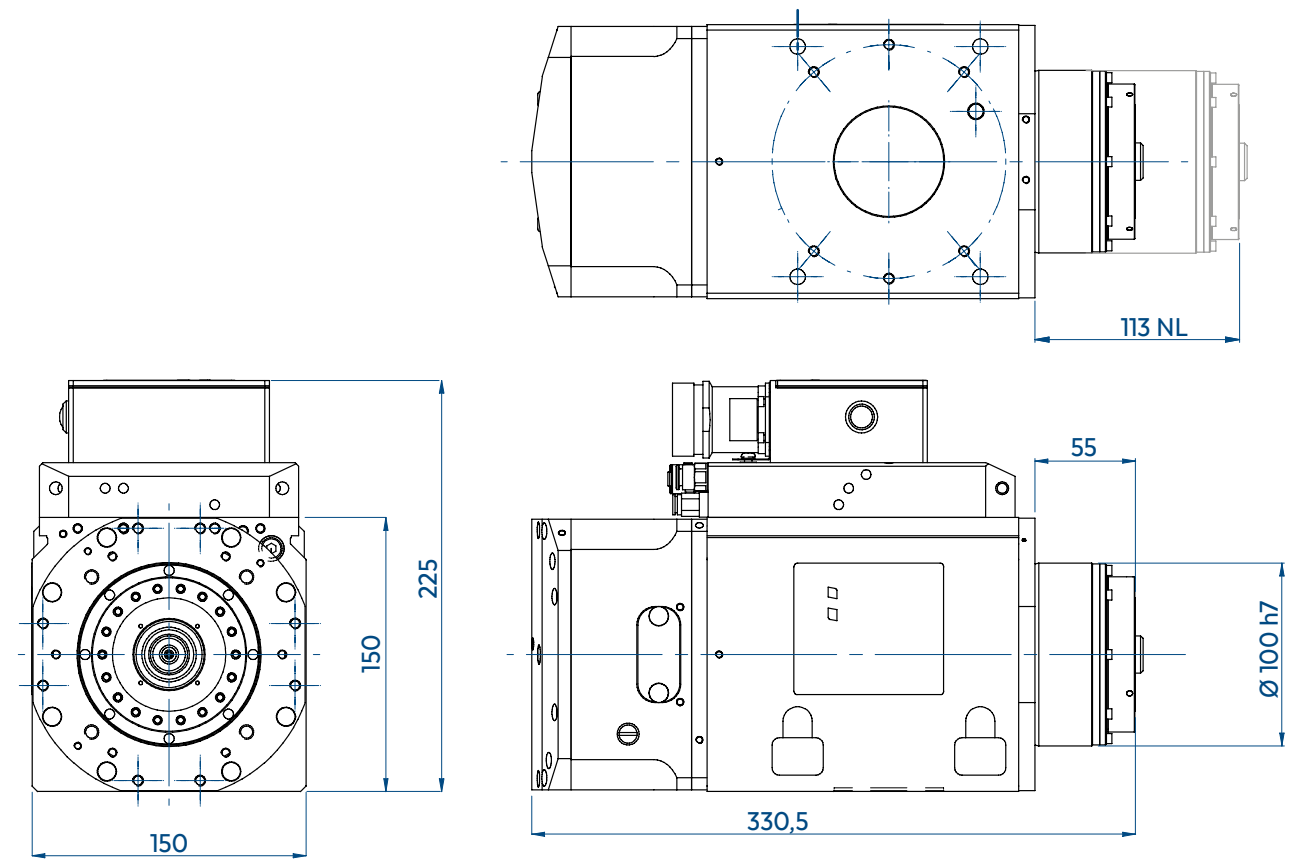
OPZIONALI OPTIONALS

- Encoder TVpp or TTL Naso lungo
Long nose
- Oil mist/MQL Air tool
- HSK 63E for NC HSK 63A
- CC circular connector
Female

PRESTAZIONI PERFORMANCES



HX-2 18/12 24 63F NC 3 AXIS CC



SPECIFICHE TECNICHE TECHNICAL SPECIFICATIONS

S1 kW 18	S6 kW 20
S1 Nm 14,3	S6 Nm 15,9
S1 A 35	S6 A 38,5
Volt 380	
Pol es 4	
Supply inverter	
rpm 24000	
kg 25	

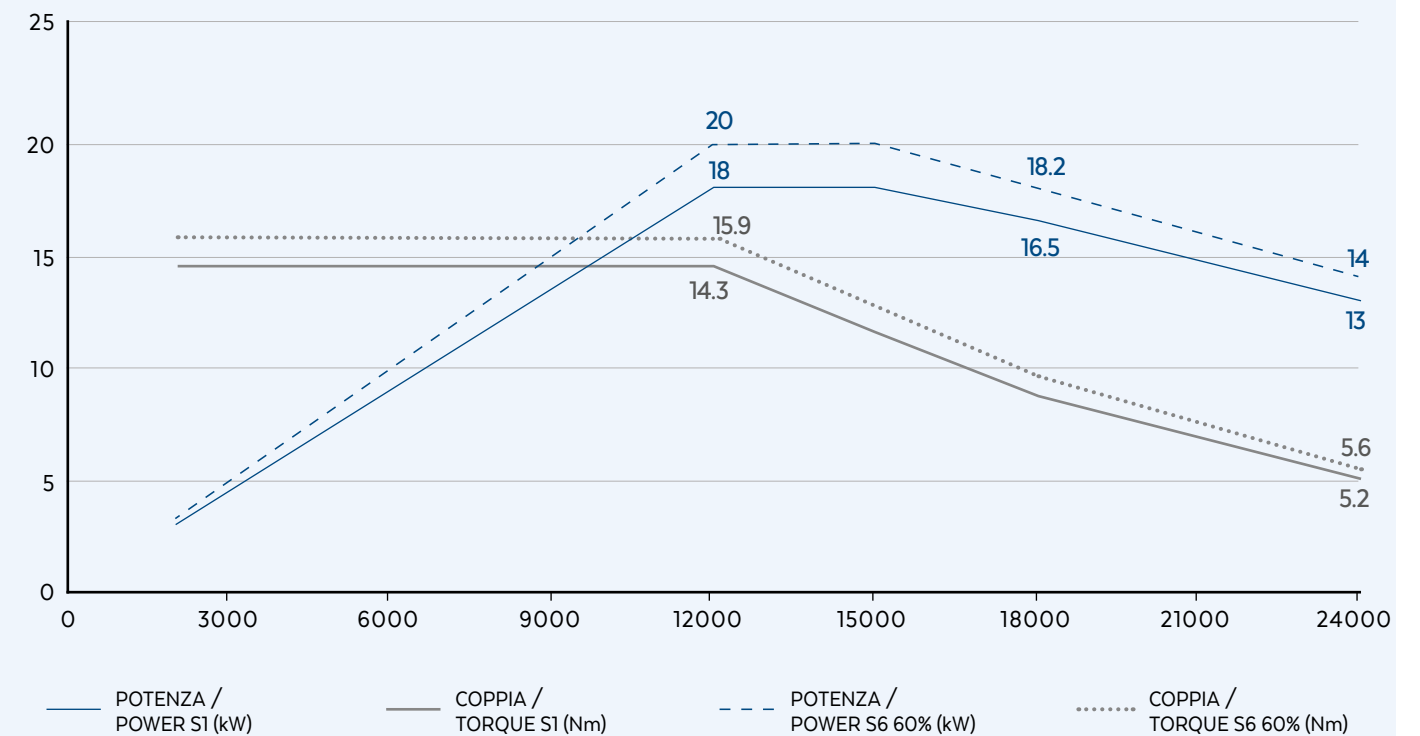
EQUIPAGGIAMENTO EQUIPMENT

- Cuscinetti ceramici
Ceramic ball bearings HSK 63F
- Raffreddamento liquido
Liquid cooling
- CC circular connector

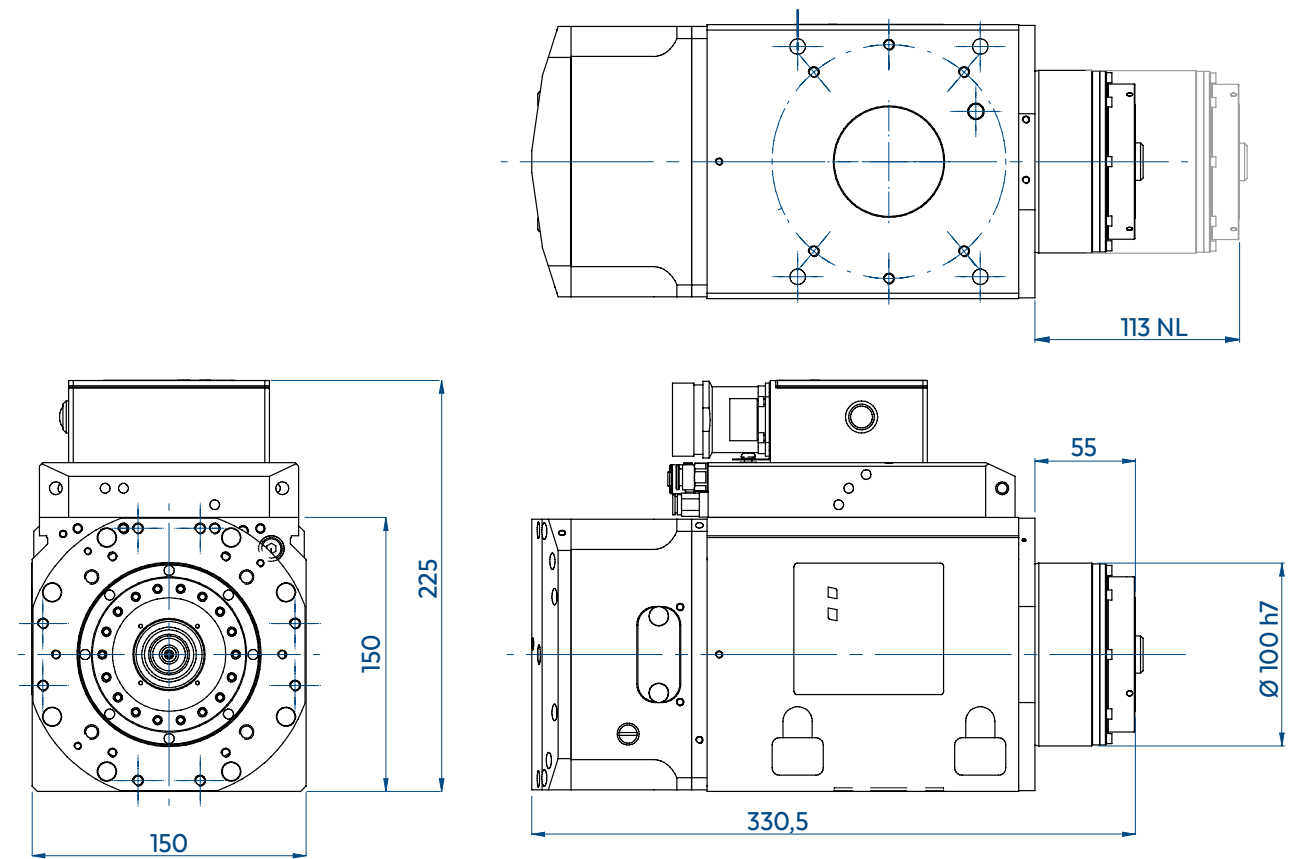
OPZIONALI OPTIONALS

- Encoder TVpp or TTL Naso lungo
Long nose
- Oil mist/MQL Air tool
- HSK 63E for NC HSK 63A
- CC circular connector
Female

PRESTAZIONI PERFORMANCES



HX-2 20/10 24 63A NC 3 AXIS CC SYNCHRONOUS



SPECIFICHE TECNICHE TECHNICAL SPECIFICATIONS

S1 kW 20	S6 kW 22,3
S1 Nm 17,8	S6 Nm 20,1
S1 A 48	S6 A 50
Volt 380	
Pol es 4	
Supply inverter	
rpm 24000	
kg 25	

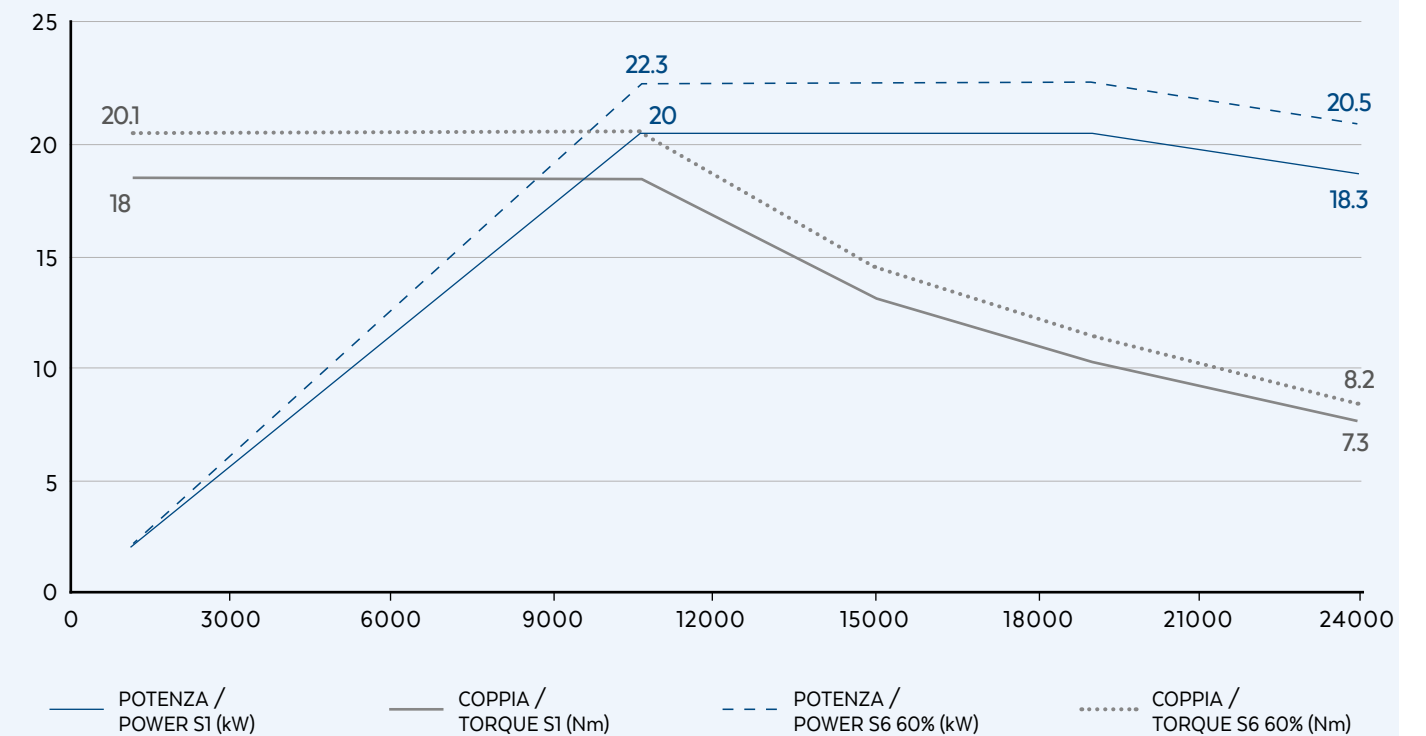
EQUIPAGGIAMENTO EQUIPMENT

- Cuscinetti ceramici
Ceramic ball bearings
- Raffreddamento liquido
Liquid cooling
- CC circular connector
- HSK 63A

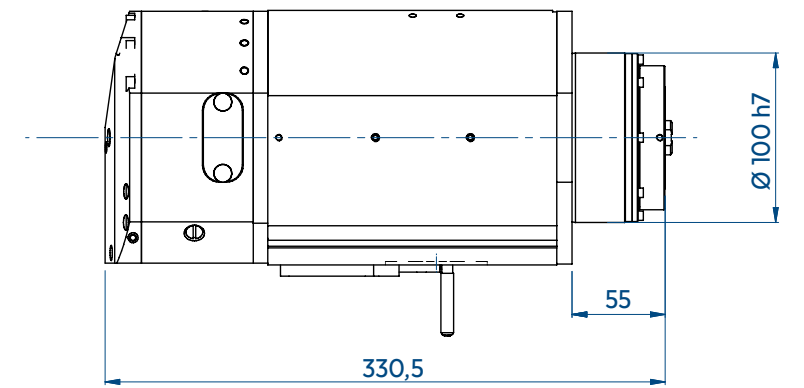
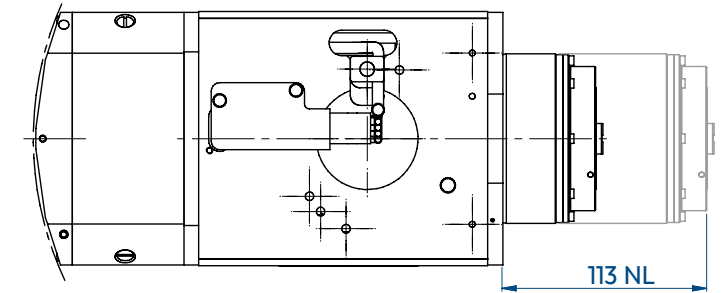
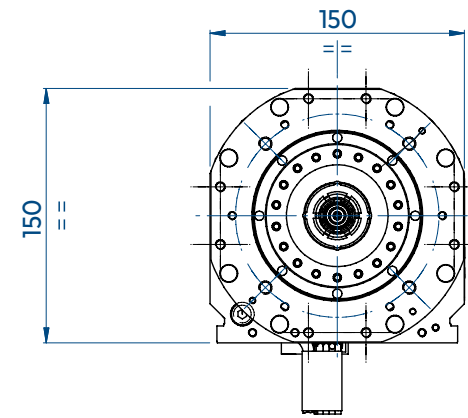
OPZIONALI OPTIONALS

- Encoder 1 Vpp
- Naso lungo
Long nose
- HSK 63E for NC
- Air tool
- CC circular connector Female
- Oil mist/MQL

PRESTAZIONI PERFORMANCES



PX-2 10/7 24 63F NC SC



SPECIFICHE TECNICHE TECHNICAL SPECIFICATIONS

S1 kW 10	S6 kW 12
S1 Nm 13,6	S6 Nm 16,4
S1 A 21	S6 A 25
Volt 380	
Pol es 4	
Supply inverter	
rpm 24000	
kg 25	

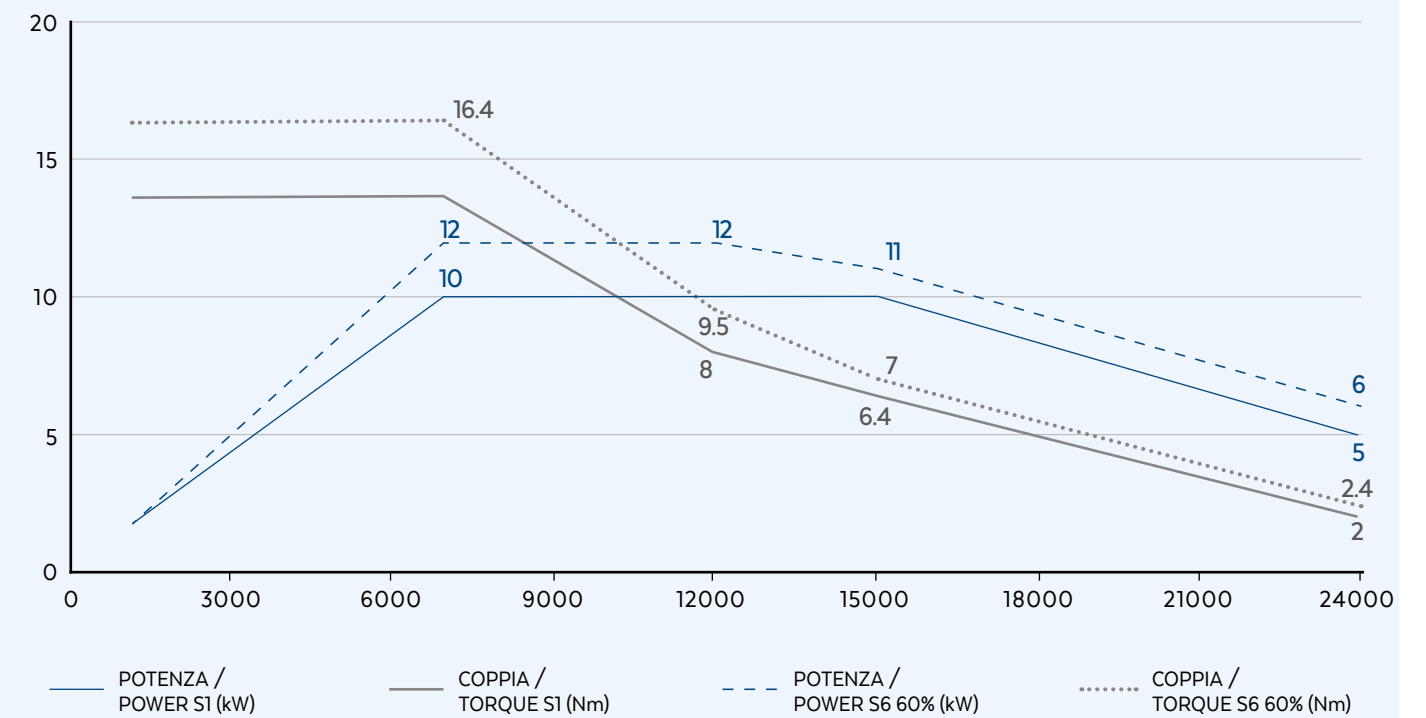
EQUIPAGGIAMENTO EQUIPMENT

- Cuscinetti ceramici
Ceramic ball bearings
- Raffreddamento liquido
Liquid cooling
- HSK 63F

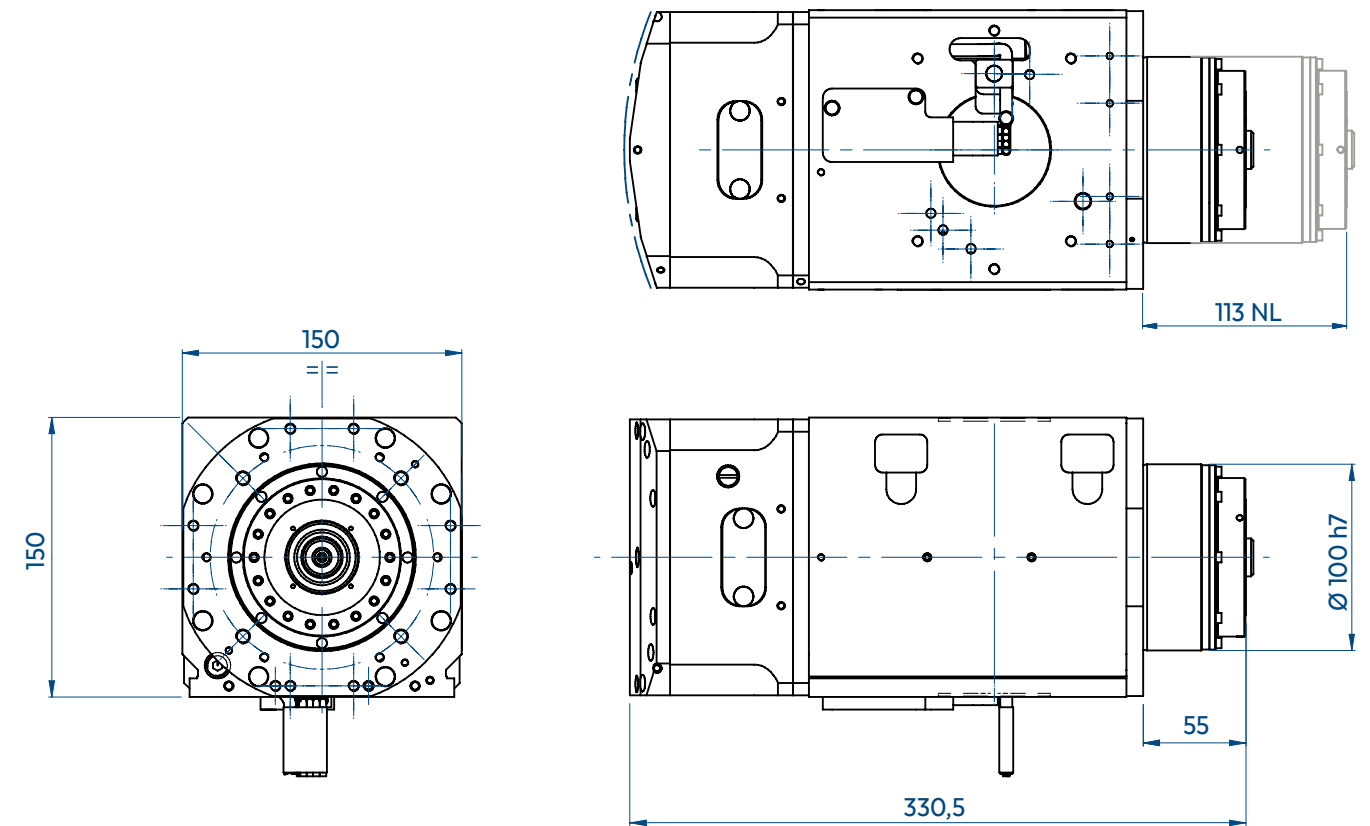
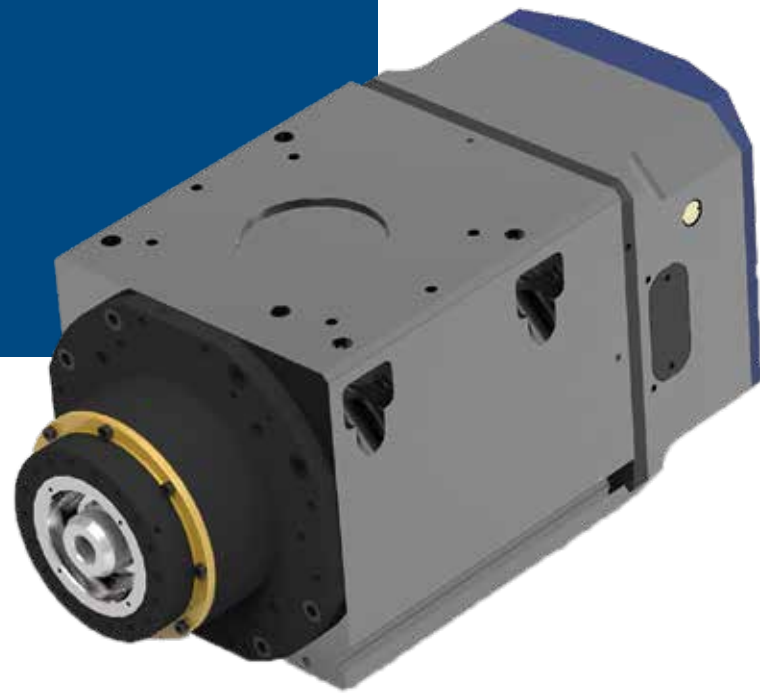
OPZIONALI OPTIONALS

- Encoder 1 Vpp or TTL
- Naso lungo
Long nose
- HSK 63A
- Air tool
- Oil mist/MQL

PRESTAZIONI PERFORMANCES






HX-2 10/7 24 63F NC SC








SPECIFICHE TECNICHE TECHNICAL SPECIFICATIONS

S1 kW 10	S6 kW 12
S1 Nm 13,6	S6 Nm 16,4
S1 A 21	S6 A 25
Volt 380	
Pol es 4	
Supply inverter	
rpm 24000	
kg 25	

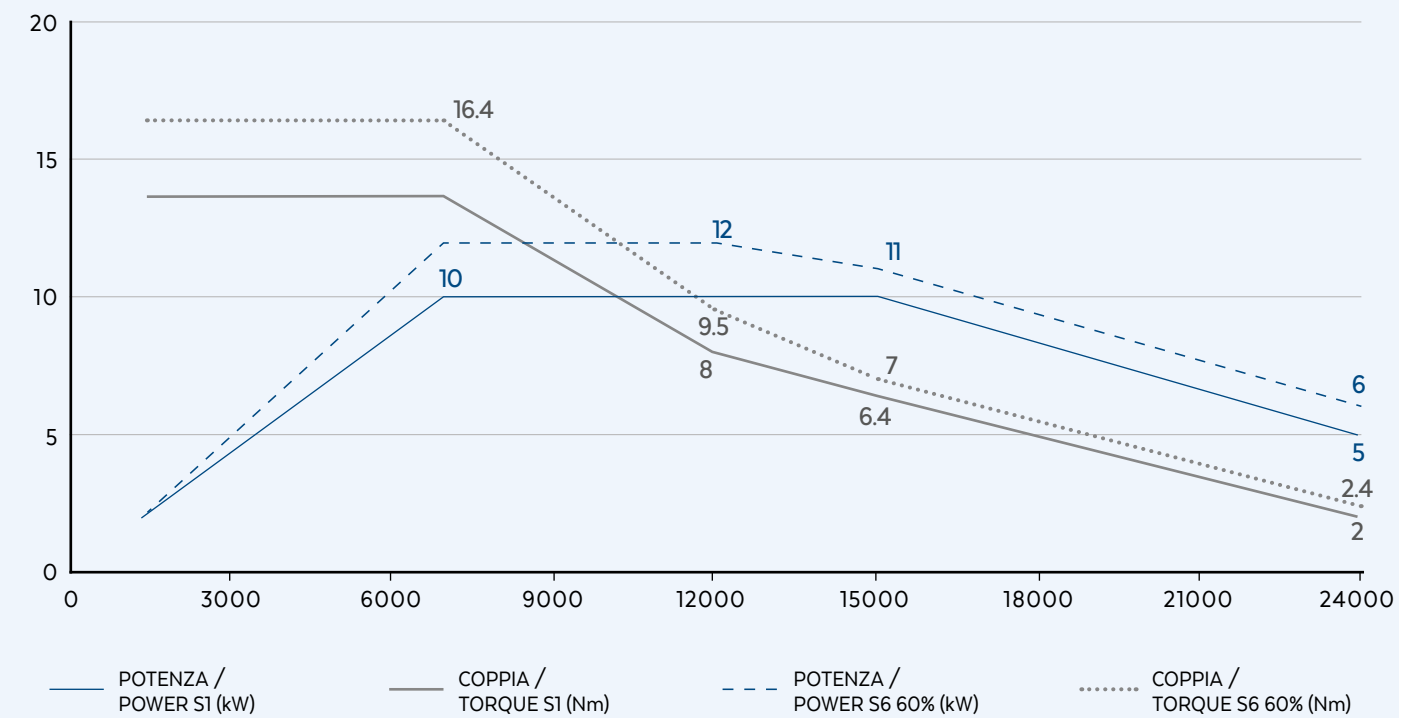
EQUIPAGGIAMENTO EQUIPMENT

-  Cuscinetti ceramici
Ceramic ball bearings
-  Raffreddamento liquido
Liquid cooling
-  HSK 63F

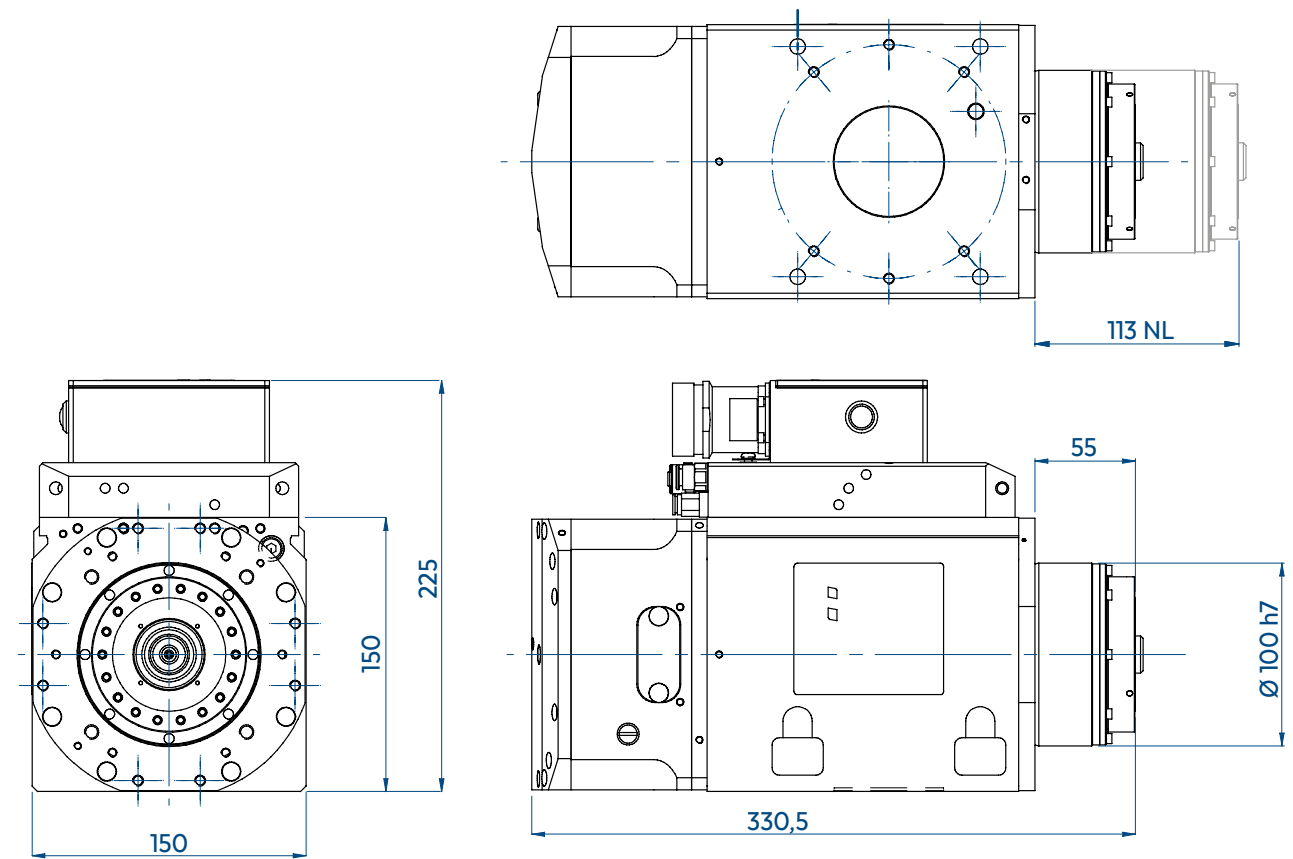
OPZIONALI OPTIONALS

-  Encoder
1 Vpp or TTL
-  Naso lungo
Long nose
-  HSK 63A
-  Air tool
-  Oil mist/MQL

PRESTAZIONI PERFORMANCES



HX-2 10/7 24 63F NC 3 AXIS CC



SPECIFICHE TECNICHE TECHNICAL SPECIFICATIONS

S1 kW 10	S6 kW 12
S1 Nm 13,6	S6 Nm 16,4
S1 A 21	S6 A 25
Volt 380	
Pol es 4	
Supply inverter	
rpm 24000	
kg 25	

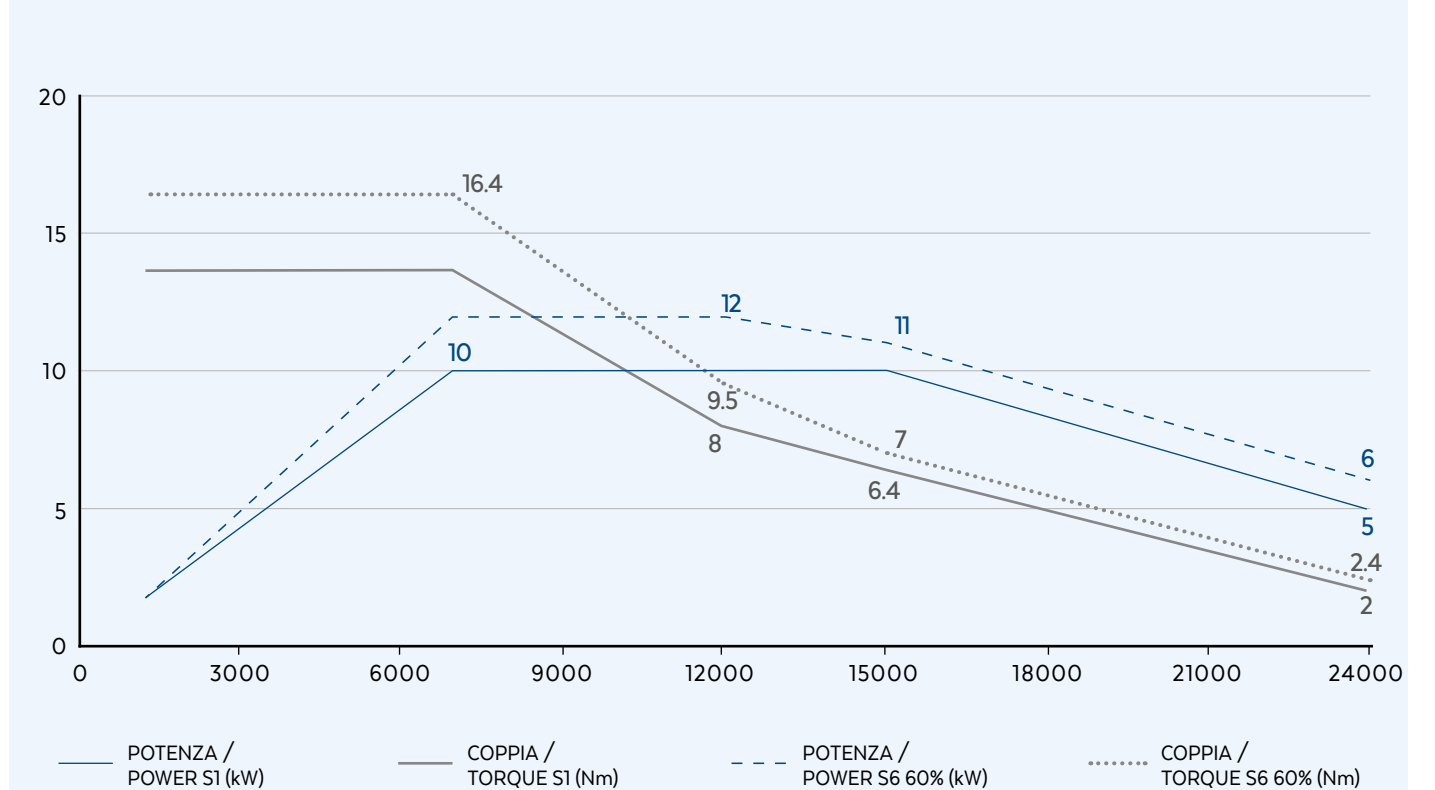
EQUIPAGGIAMENTO EQUIPMENT

- Cuscinetti ceramici
Ceramic ball bearings
- Raffreddamento liquido
Liquid cooling
- HSK 63F
- CC circular connector

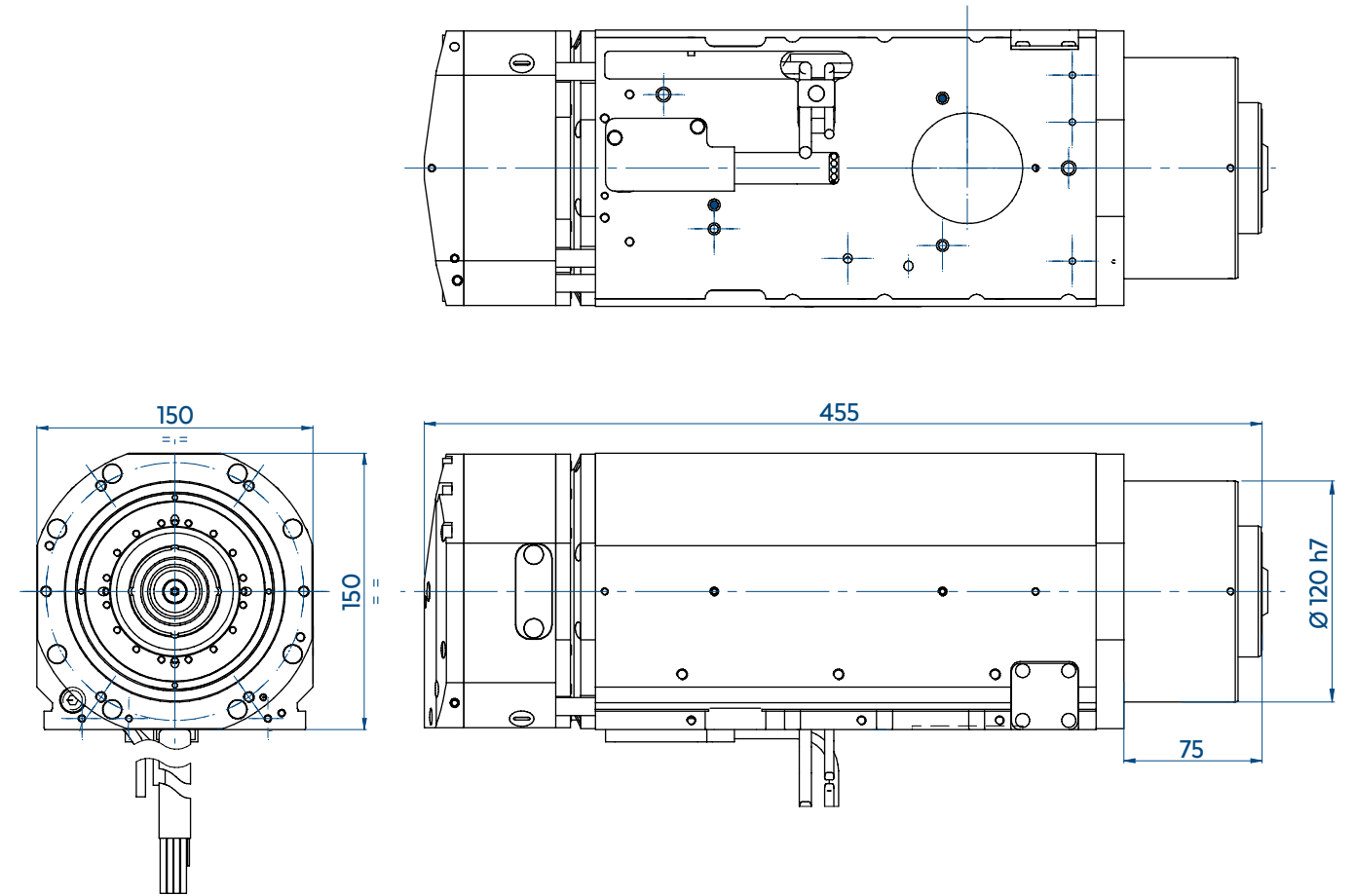
OPZIONALI OPTIONALS

- Encoder 1 Vpp or TTL
- Naso lungo
Long nose
- HSK 63A
- Air tool
- CC circular connector Female
- Oil mist/MQL

PRESTAZIONI PERFORMANCES



QT-2 13/6 16 63E NC SC



SPECIFICHE TECNICHE TECHNICAL SPECIFICATIONS

S1 kW 13	S6 kW 15
S1 Nm 20,7	S6 Nm 23,9
S1 A 30	S6 A 35
Volt 400	
Pol es 4	
Supply inverter	
rpm 16000	
kg 36	

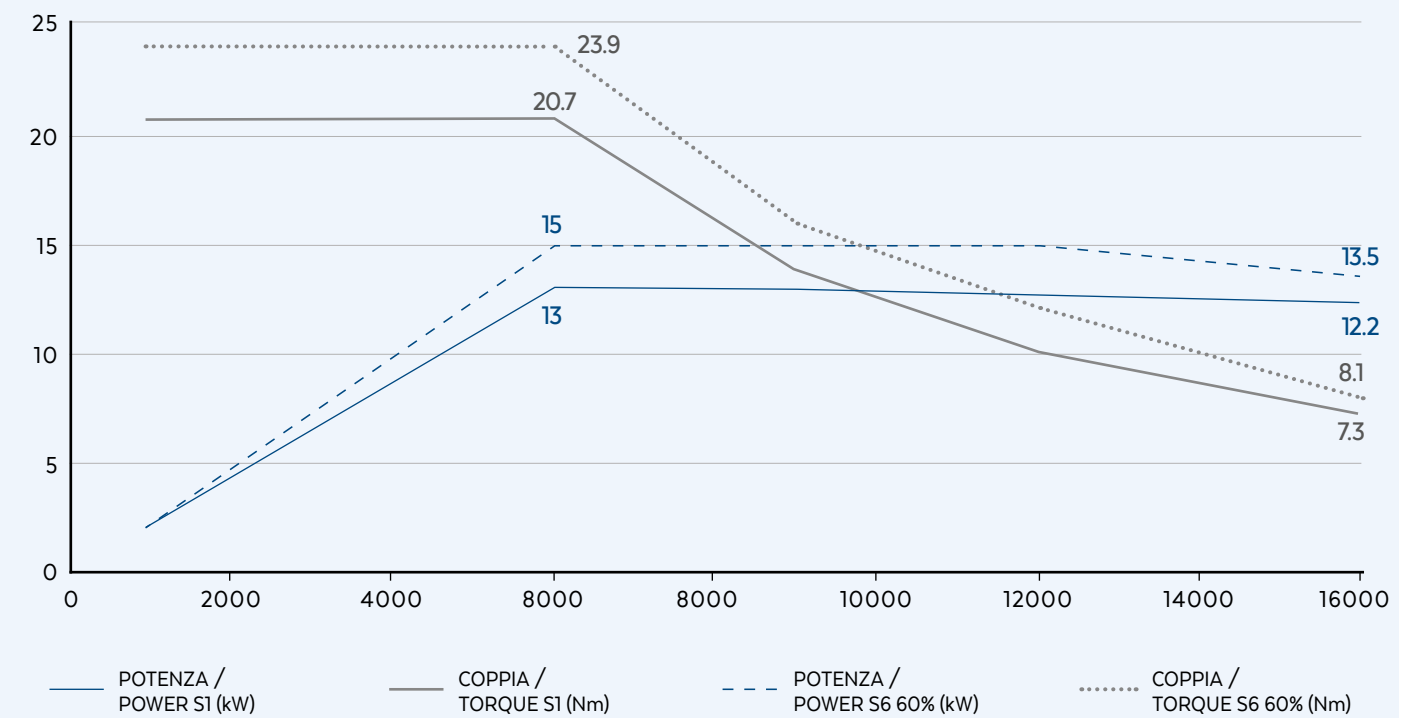
EQUIPAGGIAMENTO EQUIPMENT

- Cuscinetti ceramici
Ceramic ball bearings
- Raffreddamento liquido
Liquid cooling
- HSK 63E

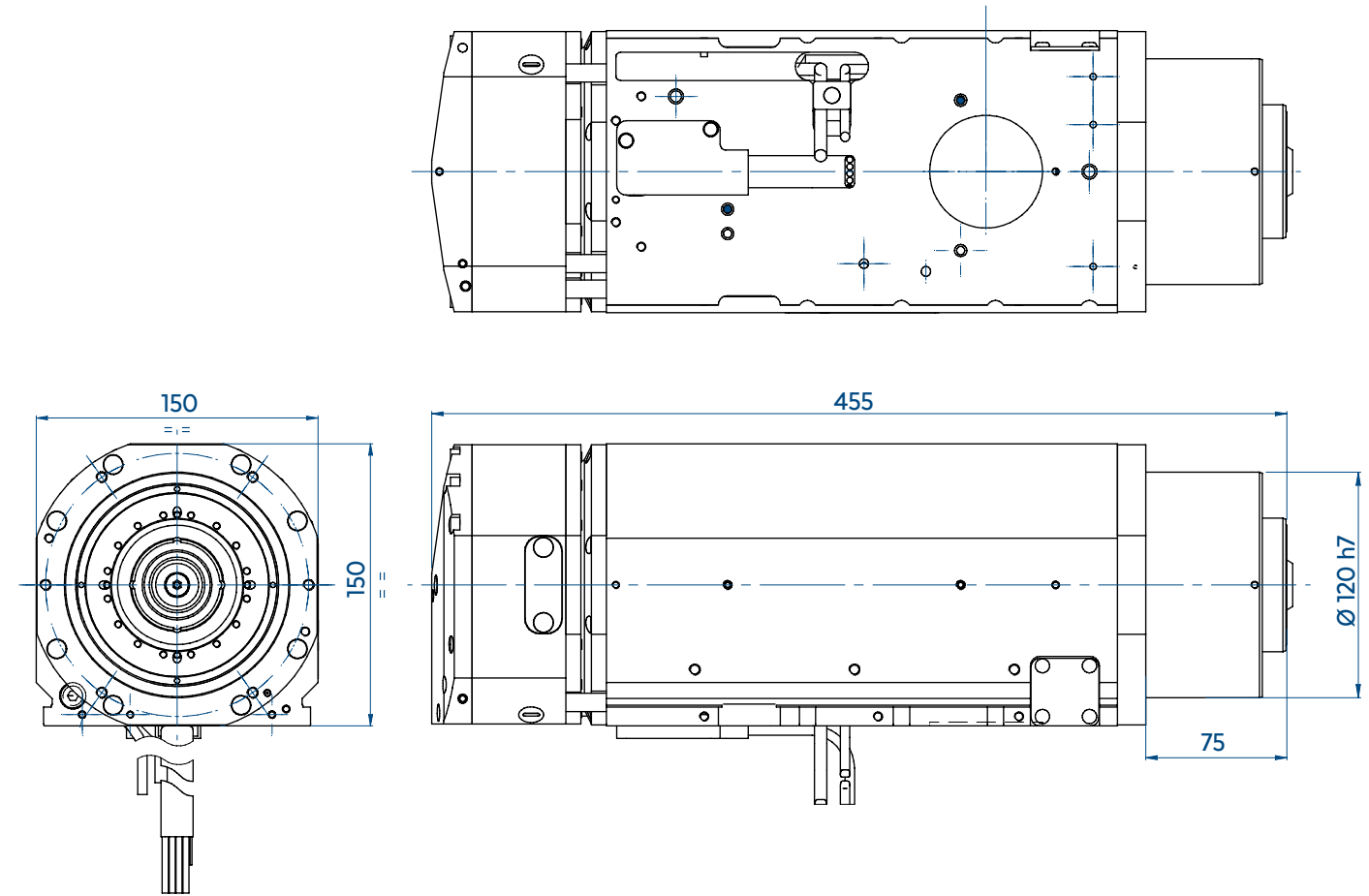
OPZIONALI OPTIONALS

- Encoder
1 Vpp or TTL

PRESTAZIONI PERFORMANCES



QT-2 25/716 63NC SC ES SYNCHRONOUS



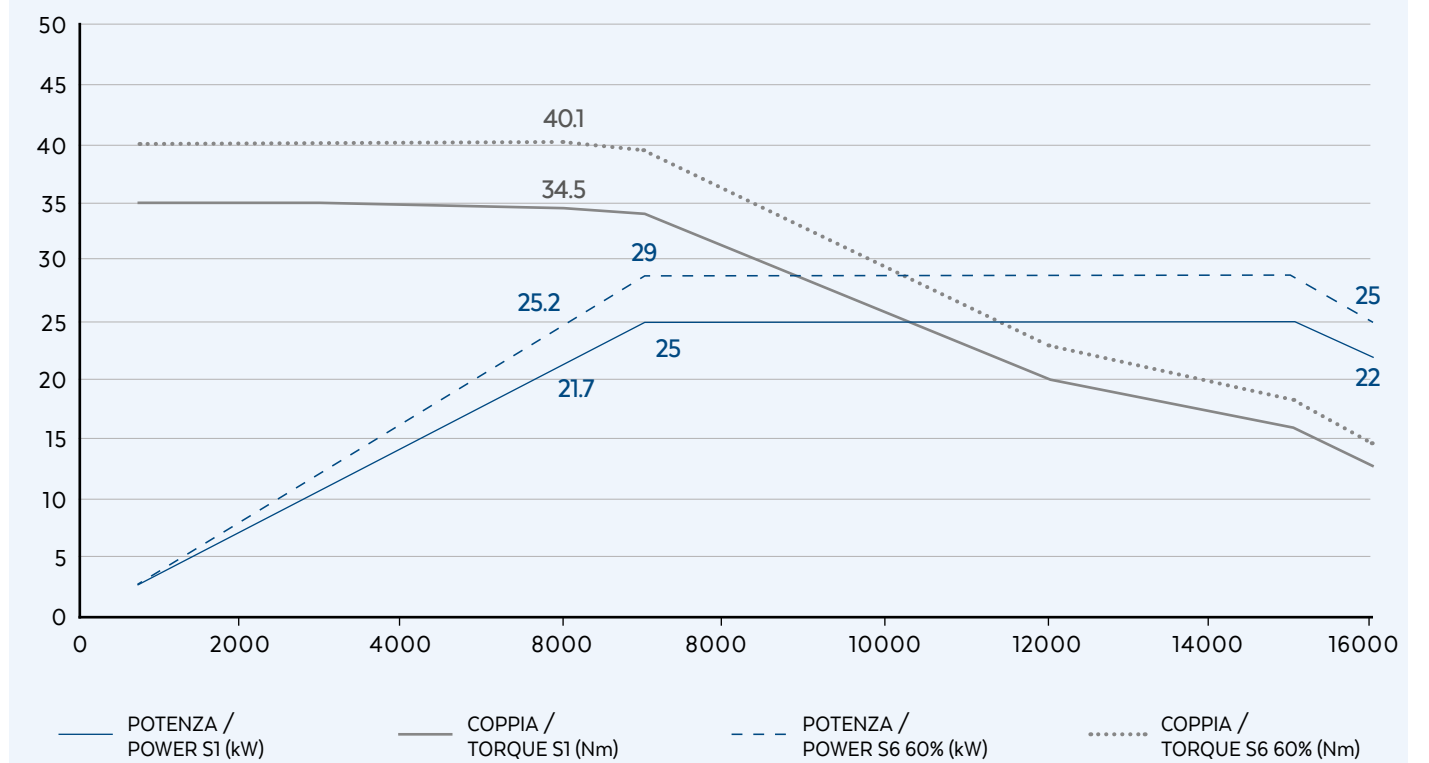
SPECIFICHE TECNICHE TECHNICAL SPECIFICATIONS

S1 kW 25	S6 kW 29
S1 Nm 34,5	S6 Nm 40,1
S1 A 47	S6 A 56
Volt 400	
Pol es 4	
Supply inverter	
rpm 16000	
kg 36	

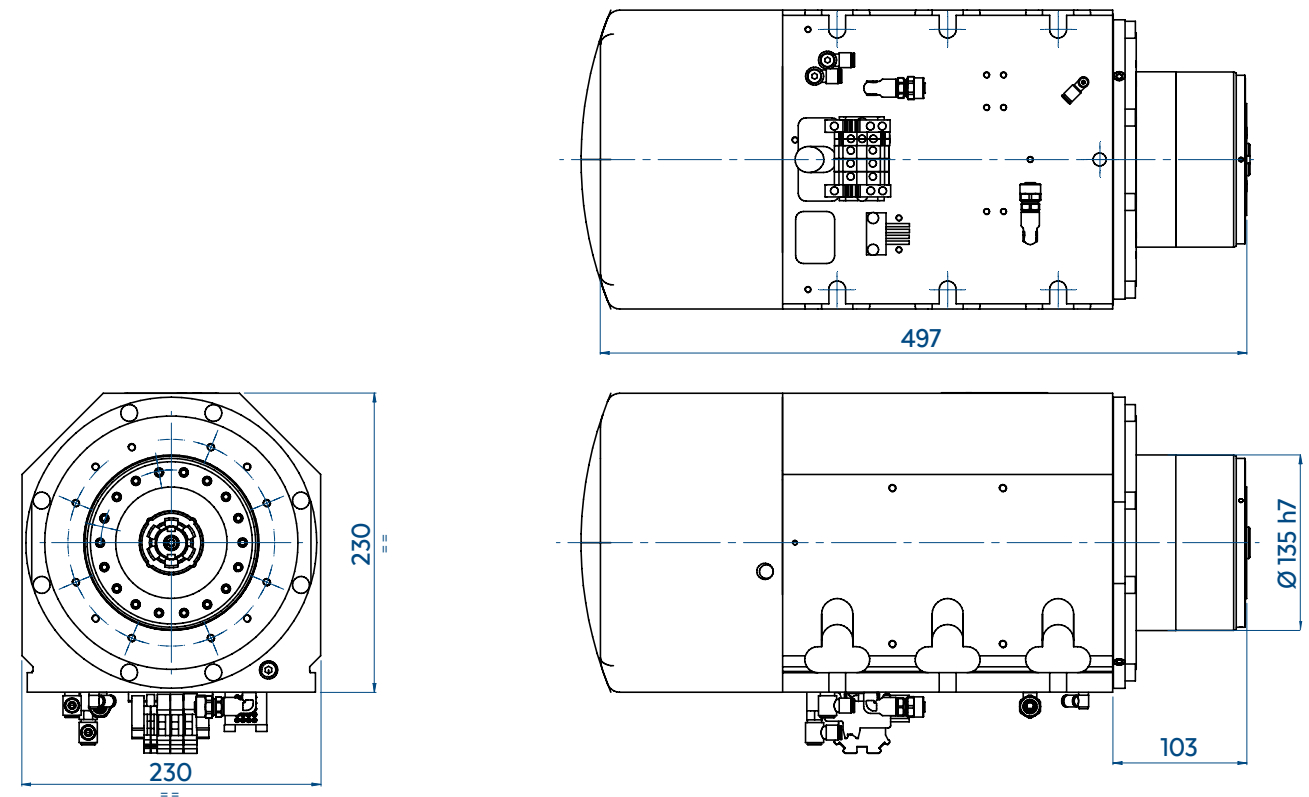
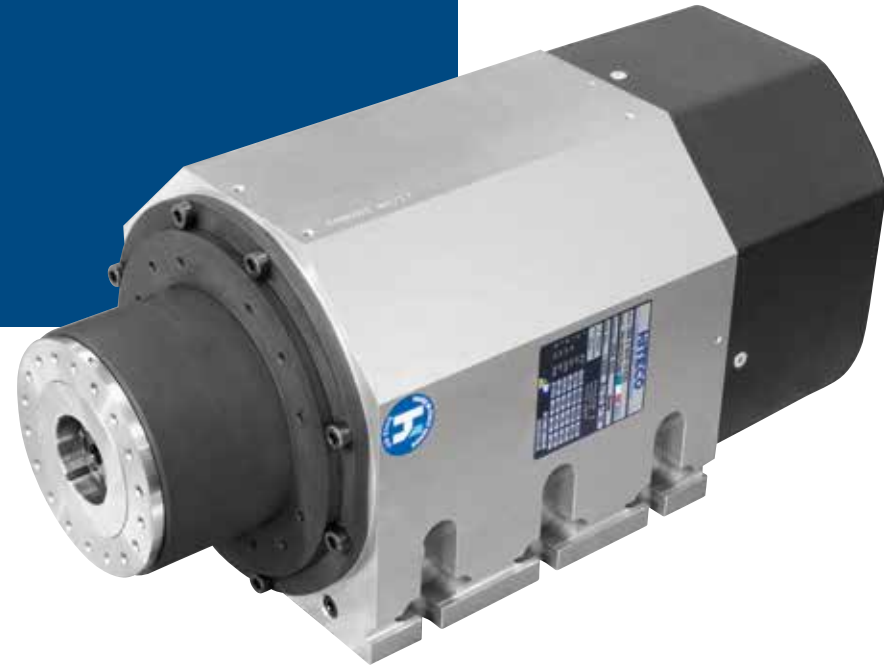
EQUIPAGGIAMENTO EQUIPMENT

- Cuscinetti ceramici
Ceramic ball bearings
- Raffreddamento liquido
Liquid cooling
- HSK 63E
- Encoder
1 Vpp

PRESTAZIONI PERFORMANCES



QM-2 30/6 13 80F NC PP



SPECIFICHE TECNICHE TECHNICAL SPECIFICATIONS

S1 kW 30	S6 kW 35
S1 Nm 47,7	S6 Nm 55,7
S1 A 59	S6 A 65
Volt 380	
Pol es 4	
Supply inverter	
rpm 13000	
kg 75	

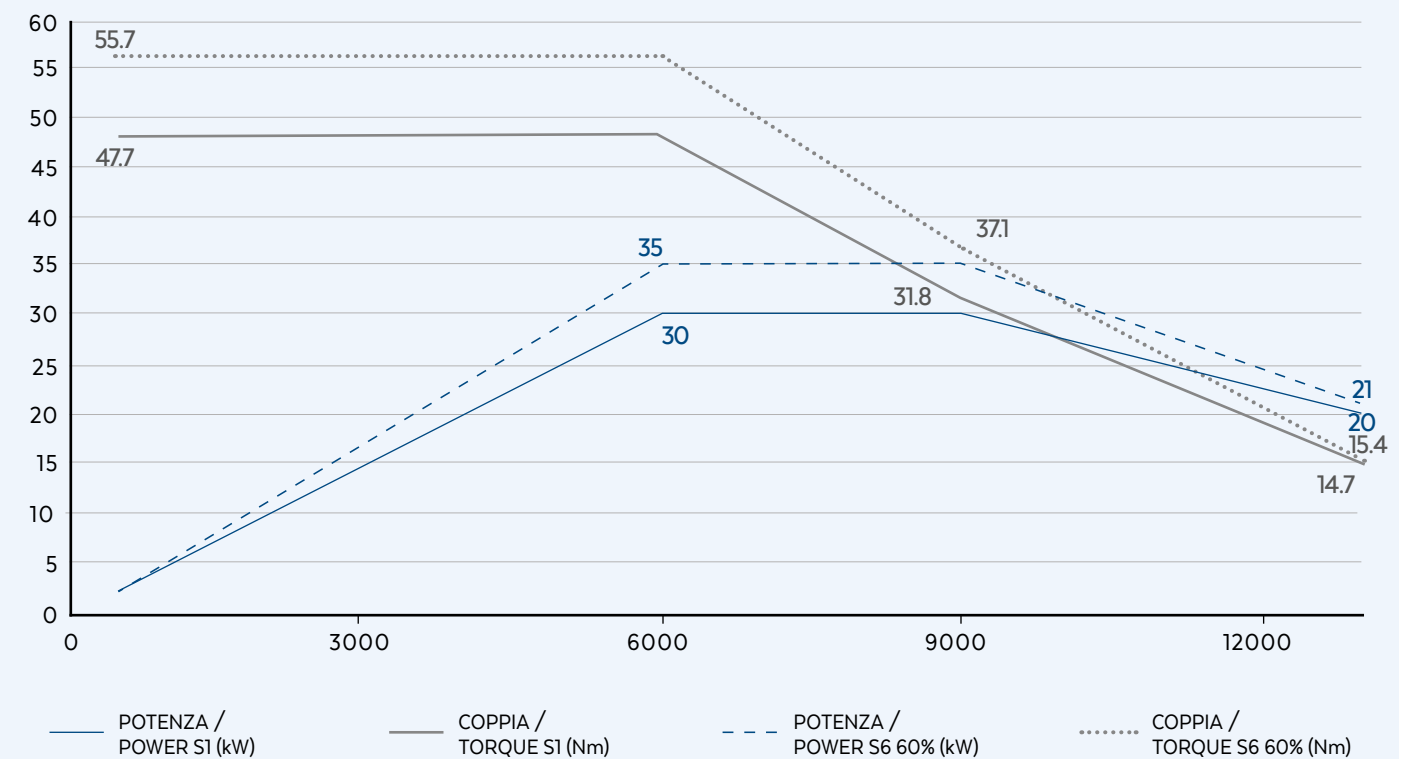
EQUIPAGGIAMENTO EQUIPMENT

- Cuscinetti ceramici
Ceramic ball bearings
- Raffreddamento liquido
Liquid cooling
- HSK 80F

OPZIONALI OPTIONALS

- PP circular connector
Female

PRESTAZIONI PERFORMANCES



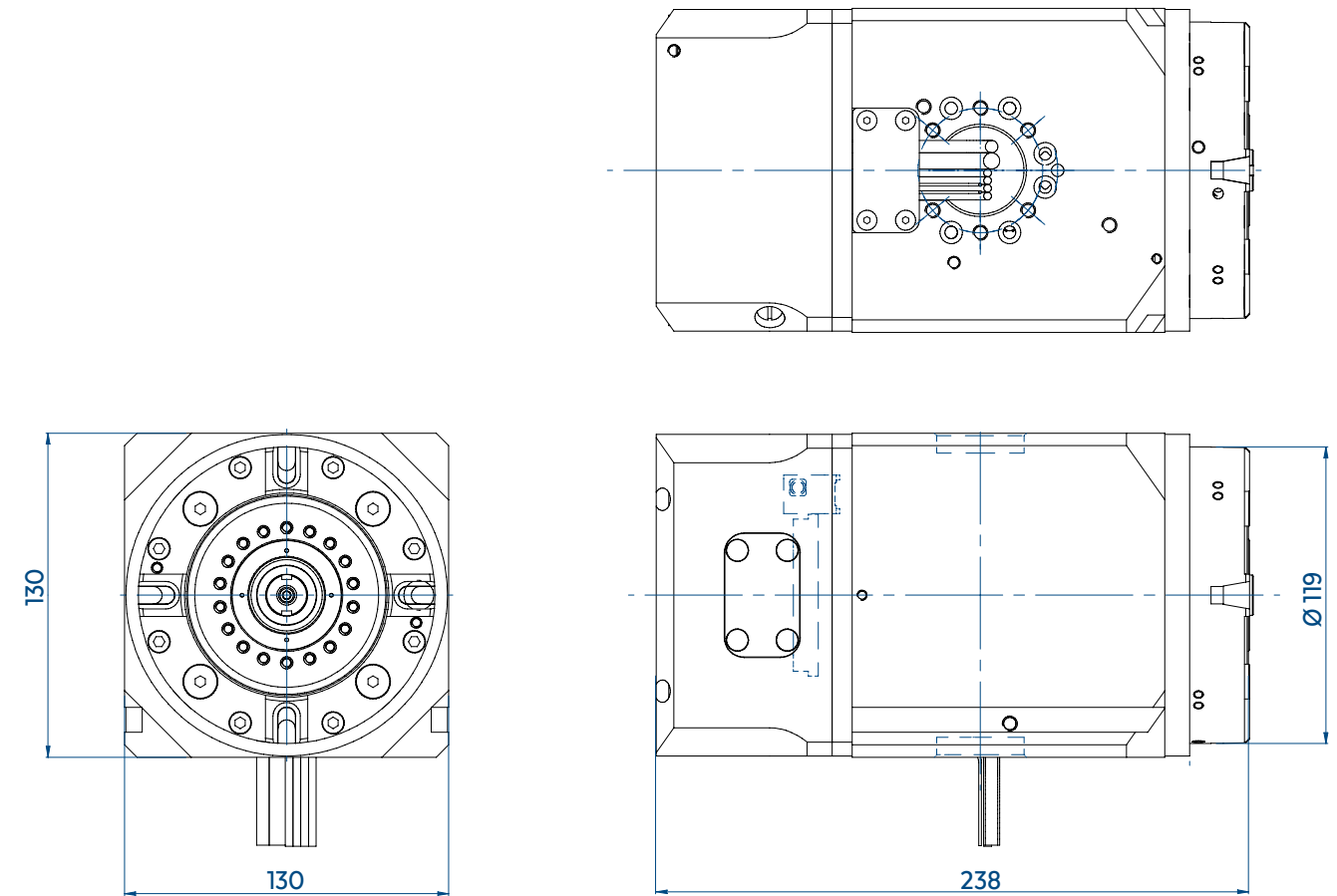
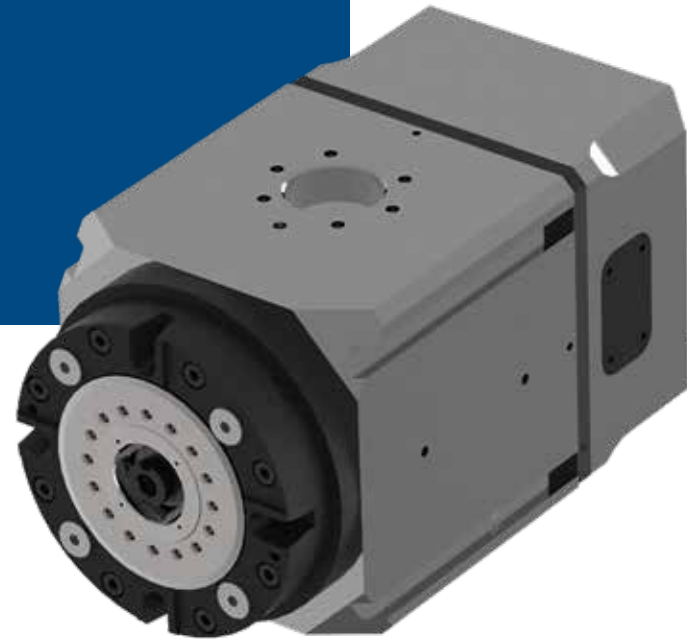
CUSTOMTECH

LIQUID COOLING

- HD-2 5.6/18 20 50F p.130
- KX-2 32/4.5 24 63A p.132
- ML-2 9/12 24 ER40 DX p.134



HD-2 5.6/18 20 50F



SPECIFICHE TECNICHE TECHNICAL SPECIFICATIONS

S1 kW 5,6	S6 kW 7
S1 Nm 3	S6 Nm 3,7
S1 A 12	S6 A 14
Volt 380	
Pol es 4	
Supply inverter	
rpm 20000	
kg 18	

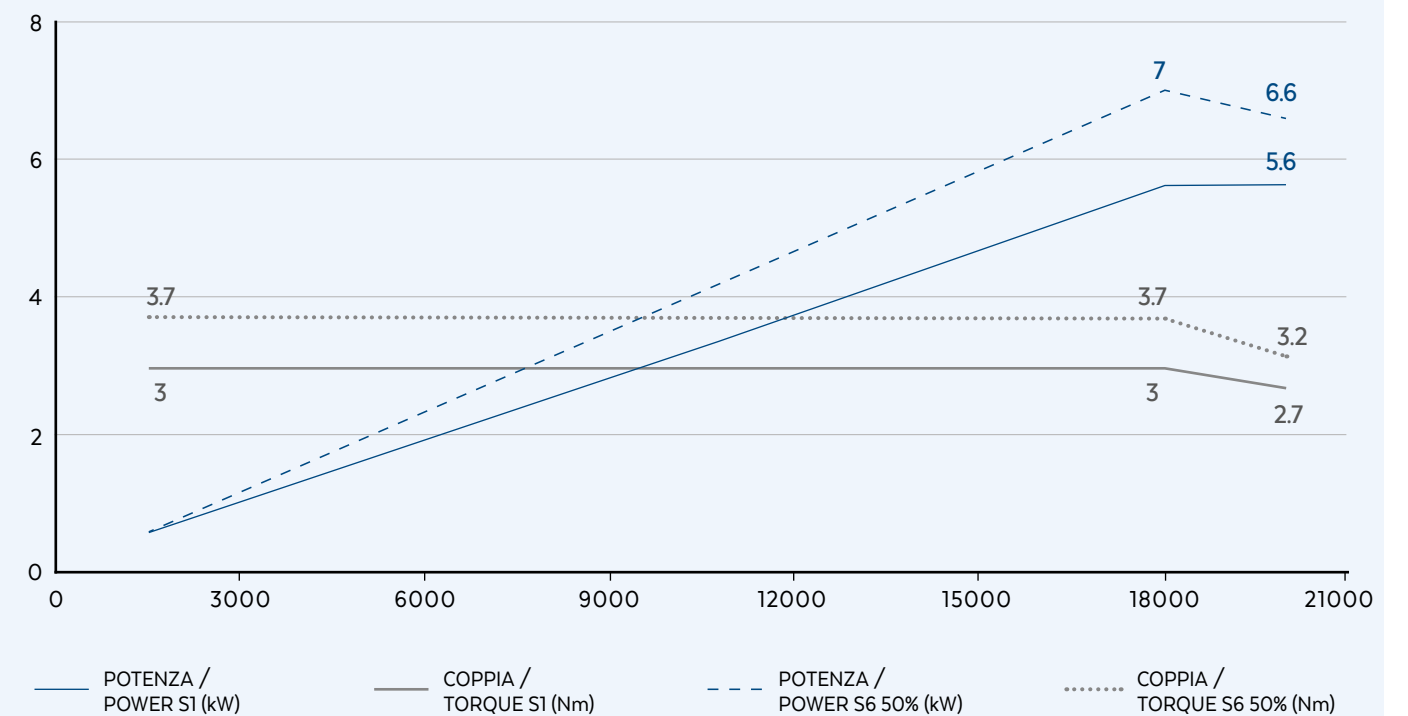
EQUIPAGGIAMENTO EQUIPMENT

- Cuscinetti ceramici
Ceramic ball bearings
- Raffreddamento liquido
Liquid cooling
- HSK 50F
- Tool lubrication

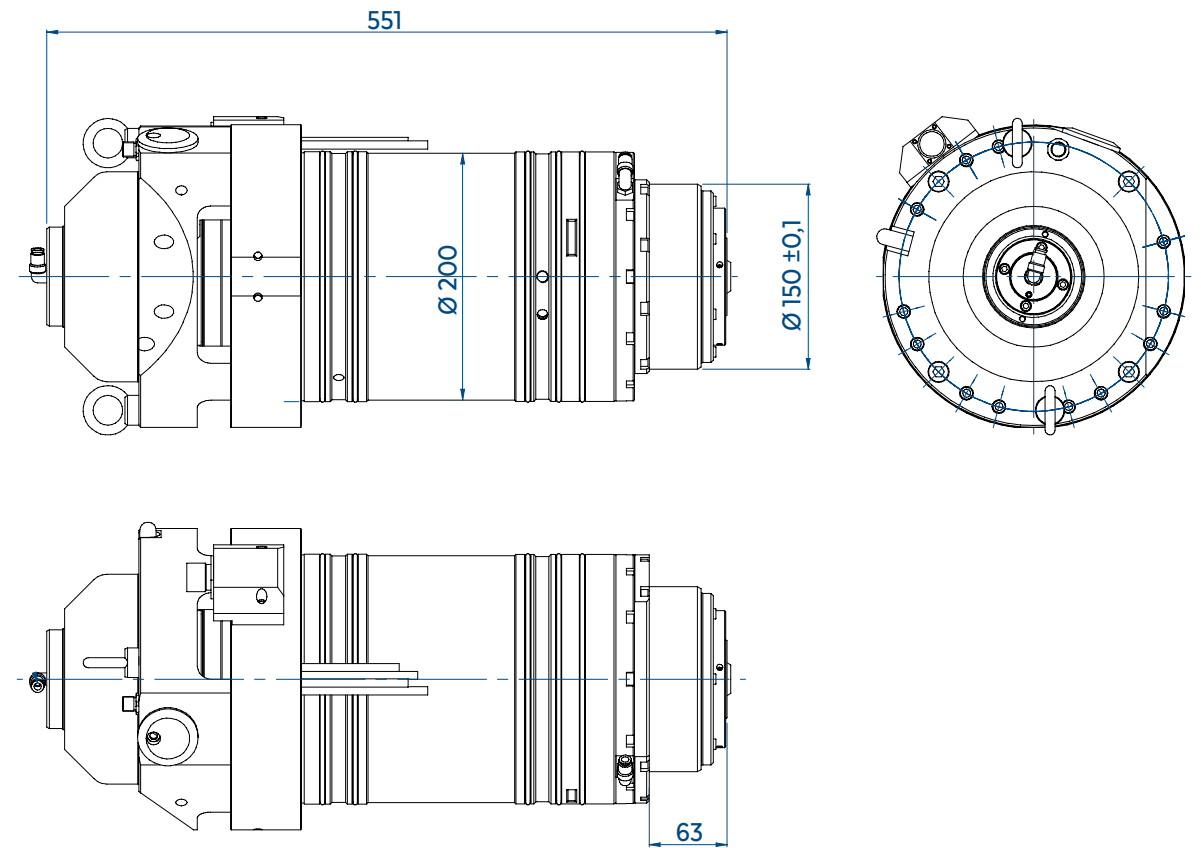
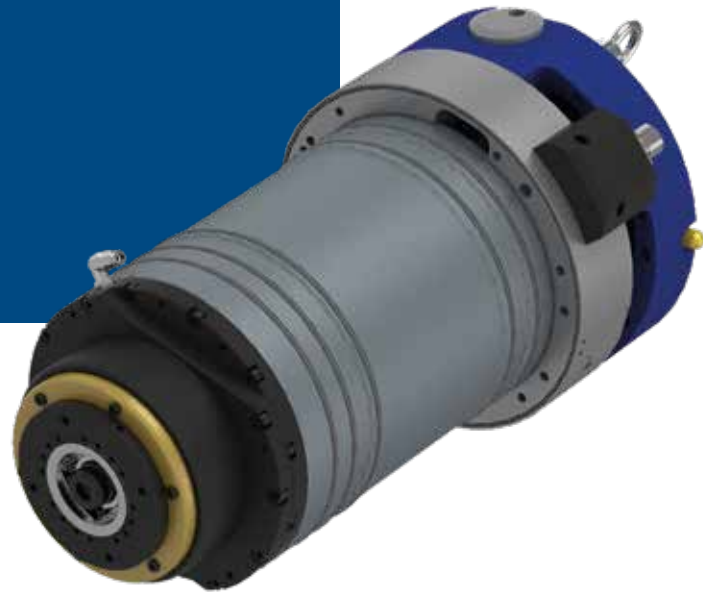
OPZIONALI OPTIONALS

- Encoder
1 Vpp or TTL
- HSK 40E

PRESTAZIONI PERFORMANCES







KX-2 32/4.5 24 63A ES SYNCHRONOUS



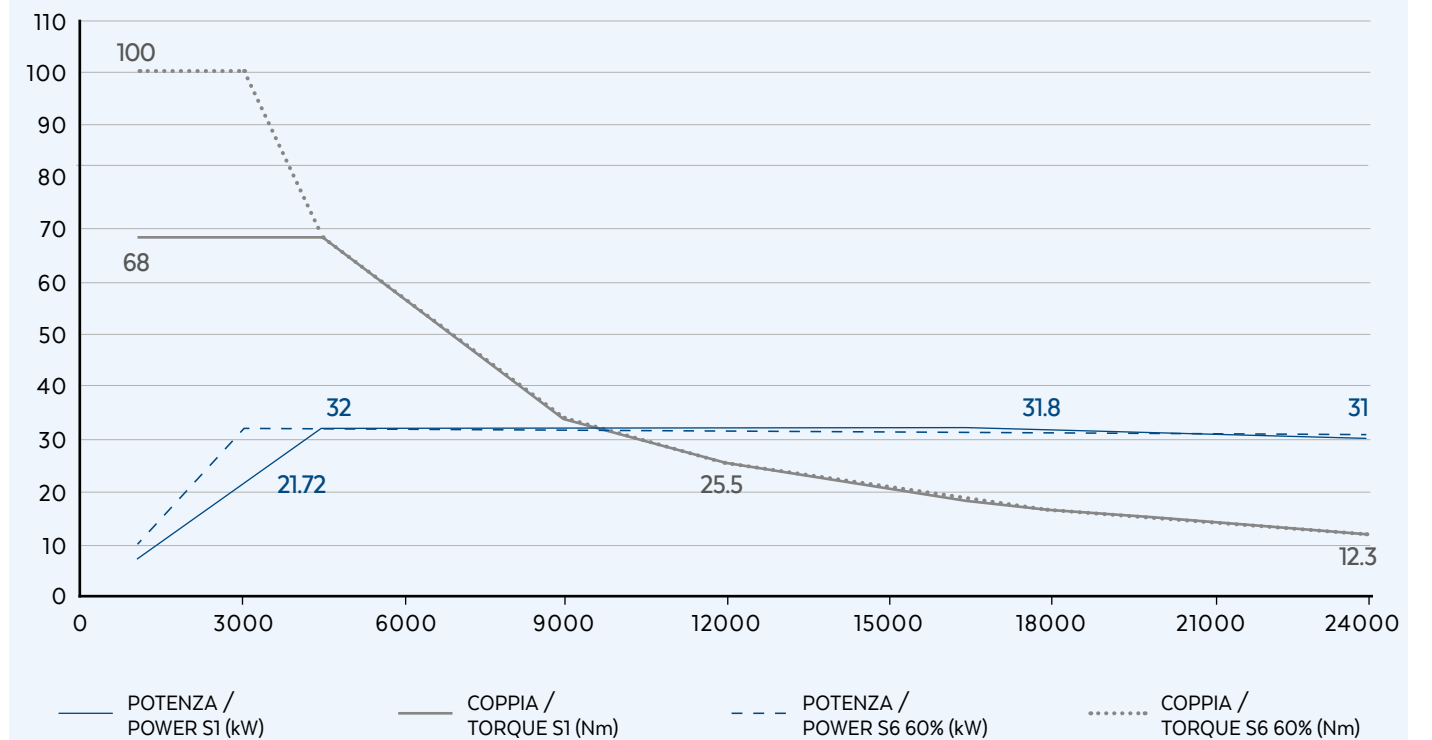
SPECIFICHE TECNICHE TECHNICAL SPECIFICATIONS

S1 kW 32	S6 kW 32
S1 Nm 68	S6 Nm 100
S1 A 73	S6 A 113
Volt 400	
Pol es 4	
Supply inverter	
rpm 24000	
kg 100	

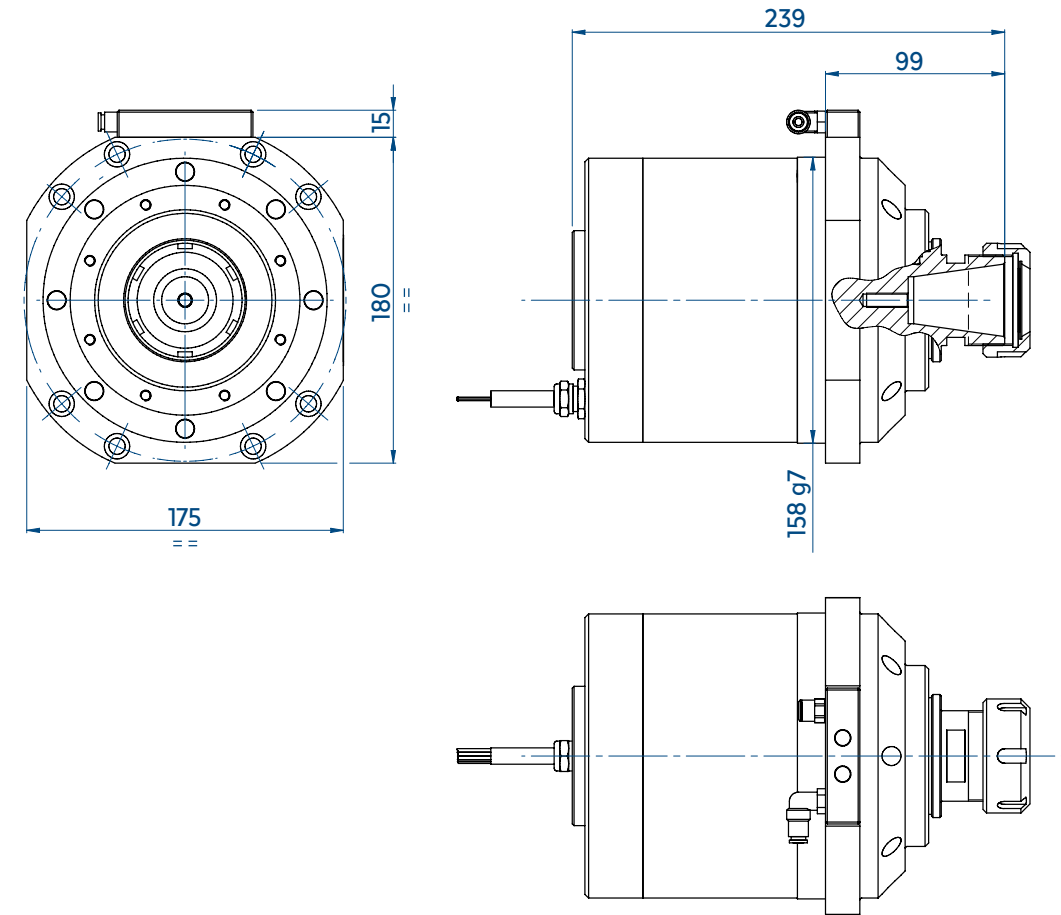
EQUIPAGGIAMENTO EQUIPMENT

-  Cuscinetti ceramici
Ceramic ball bearings
-  Raffreddamento liquido
Liquid cooling
-  HSK 63A
-  Encoder
1 Vpp

PRESTAZIONI PERFORMANCES



ML-2 9/12 24 ER40 DX



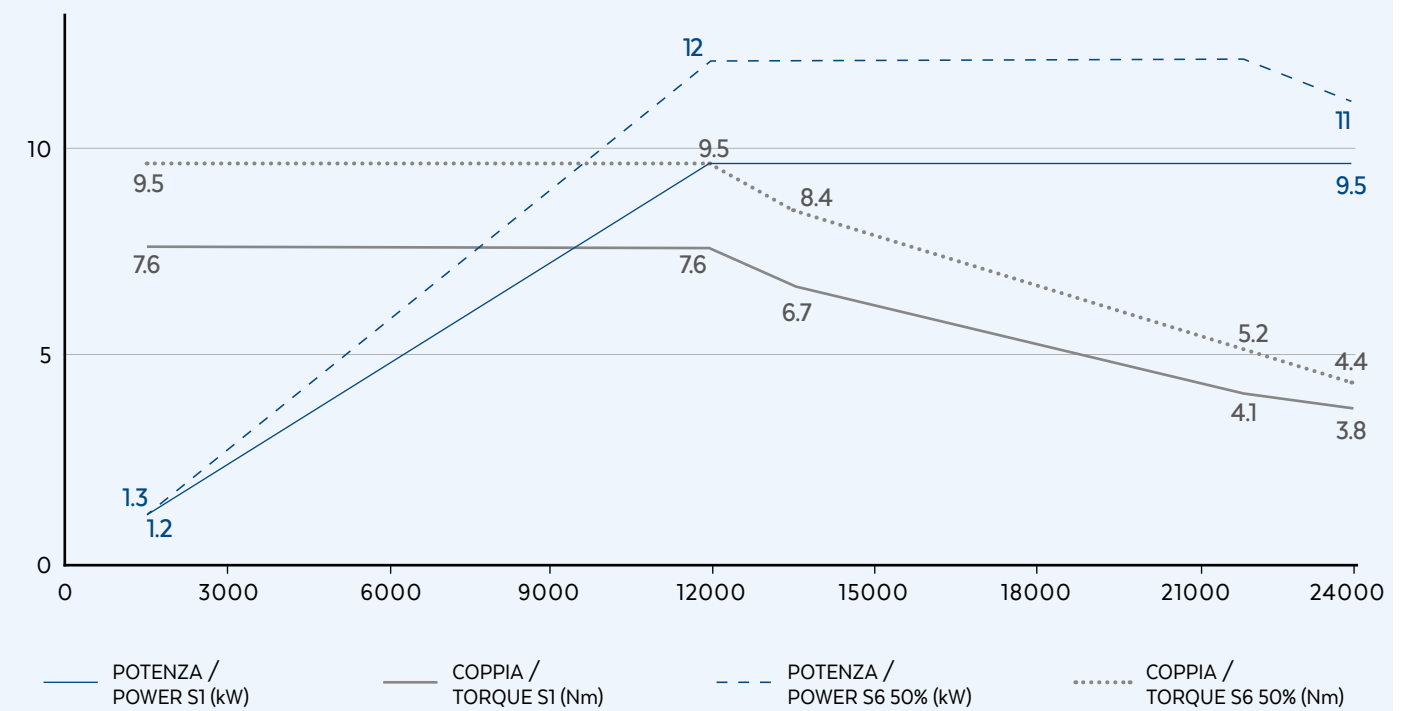
SPECIFICHE TECNICHE TECHNICAL SPECIFICATIONS

S1 kW 9,5	S6 kW 12
S1 Nm 7,6	S6 Nm 9,5
S1 A 22	S6 A 27
Volt 380	
Pol es 4	
Supply inverter	
rpm 24000	
kg 23	

EQUIPAGGIAMENTO EQUIPMENT

- Raffreddamento liquido
Liquid cooling
- ER40DX

PRESTAZIONI PERFORMANCES



MULTITECH - MTC

WITH ER AIR COOLING (ELECTROFAN)

- QN-1F 4.5/18 18 ER32DX p.**138**
- QN-1F 6/18 18 ER32DX p.**140**
- QN-1F 4.5/18 24 ER32DX p.**142**
- QN-1F 6/18 24 ER32DX p.**144**

WITH ER AIR COOLING (COMPRESSED AIR)

- QN-1C 4.5/18 18 ER32DX p.**146**
- QN-1C 6/18 18 ER32DX p.**148**
- QN-1C 4.5/18 24 ER32DX p.**150**
- QN-1C 6/18 24 ER32DX p.**152**

WITH SHAFT AIR COOLING (FAN ON THE SHAFT)

- MQH1 8/6 9 D40 L93 RS p.**154**
- MQH1 13/6 9 D40 L93 RS p.**156**

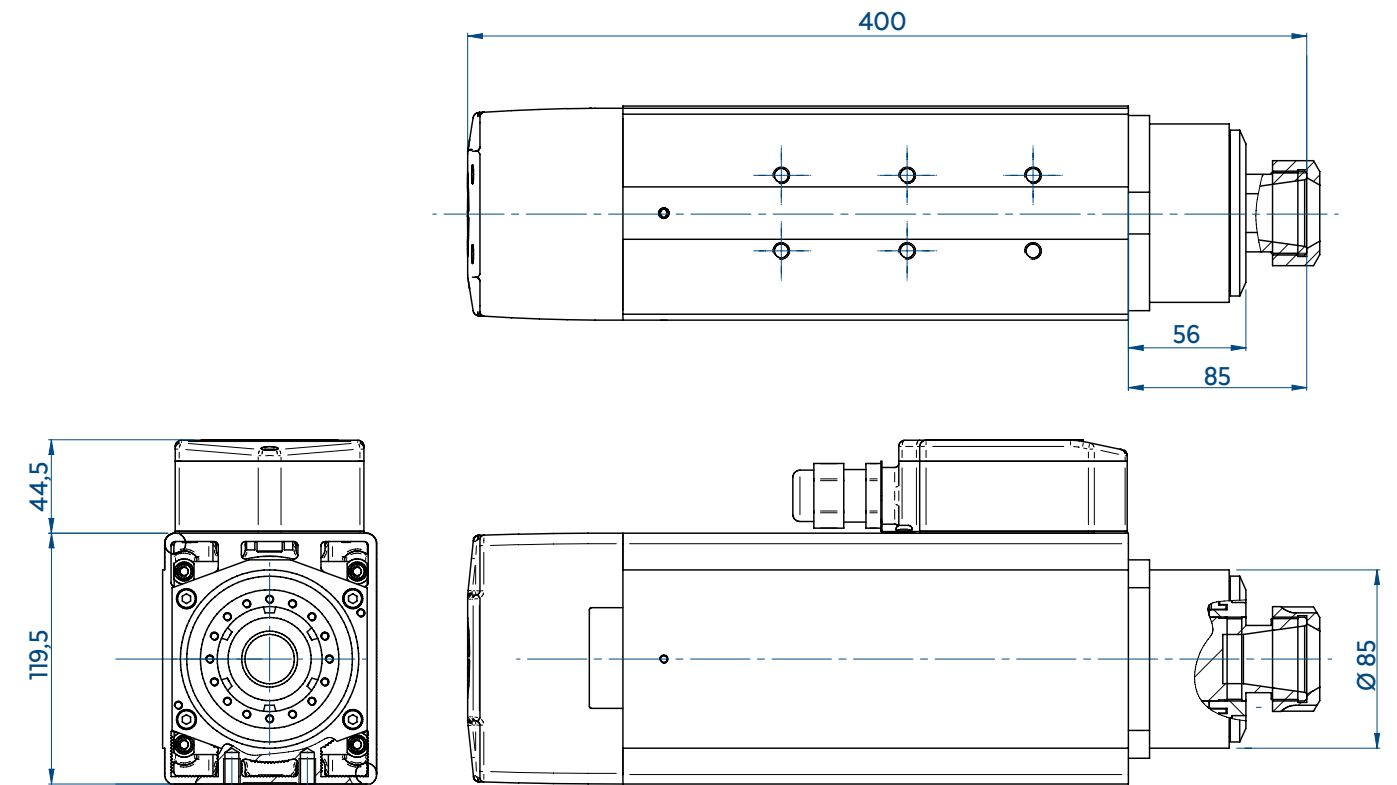
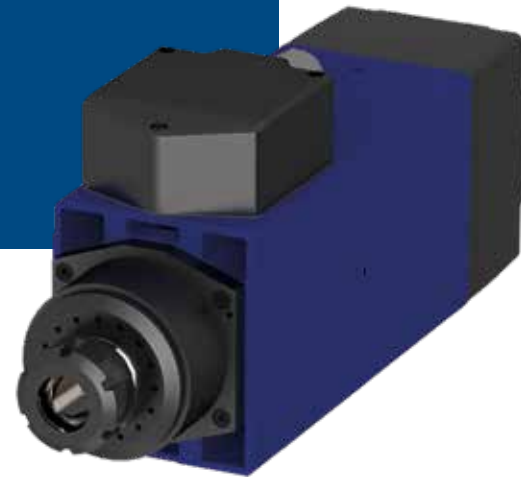


MTC
WITH ER



MTC
WITH SHAFT

QN-1F 4.5/18 18 ER32 DX



SPECIFICHE TECNICHE TECHNICAL SPECIFICATIONS

S1 kW 4,5	S6 kW 5,4
S1 Nm 2,4	S6 Nm 2,9
S1 A 9,5	S6 A 12,8
Volt 380	
Pol es 2	
Supply inverter	
rpm 18000	
kg 15	

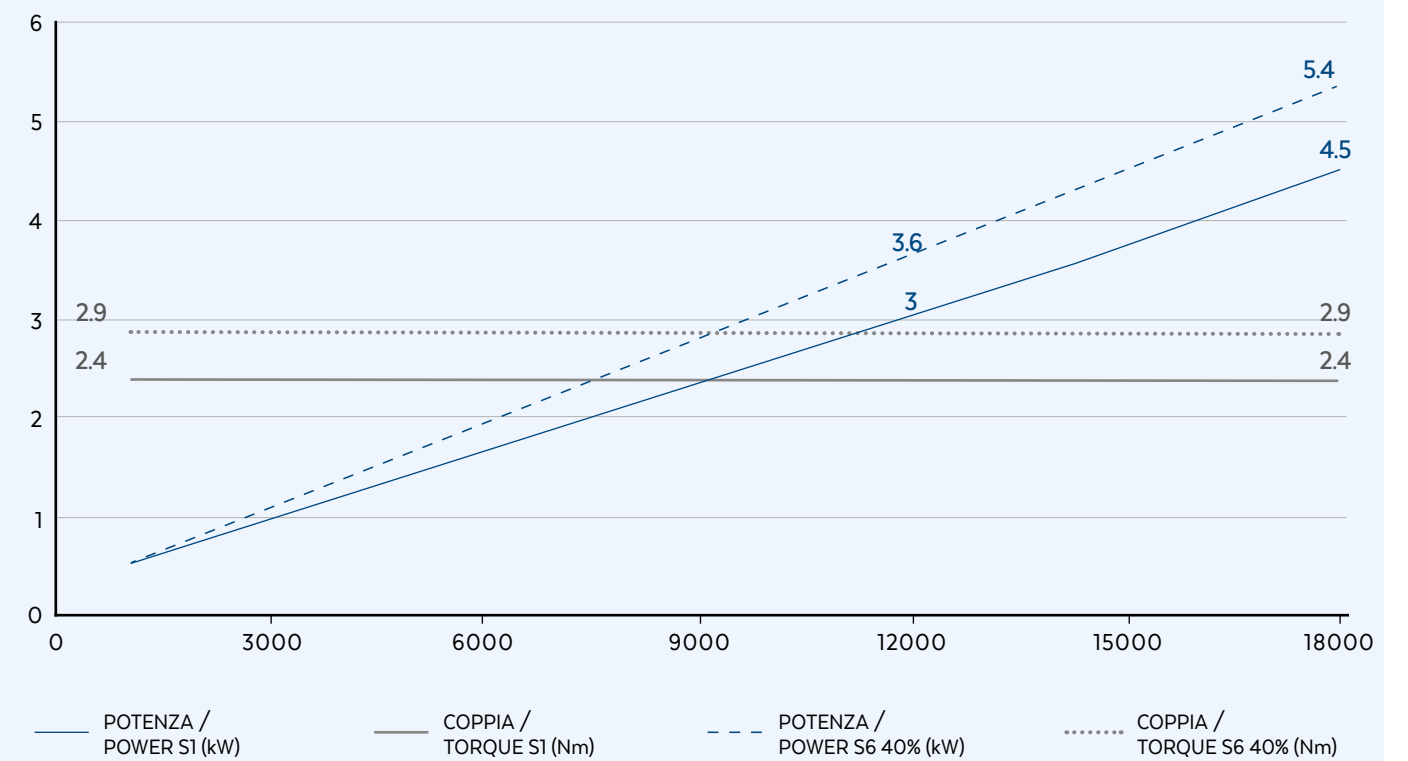
EQUIPAGGIAMENTO EQUIPMENT

- Raffreddamento con elettroventola
Electrofan cooling
- ER32 DX

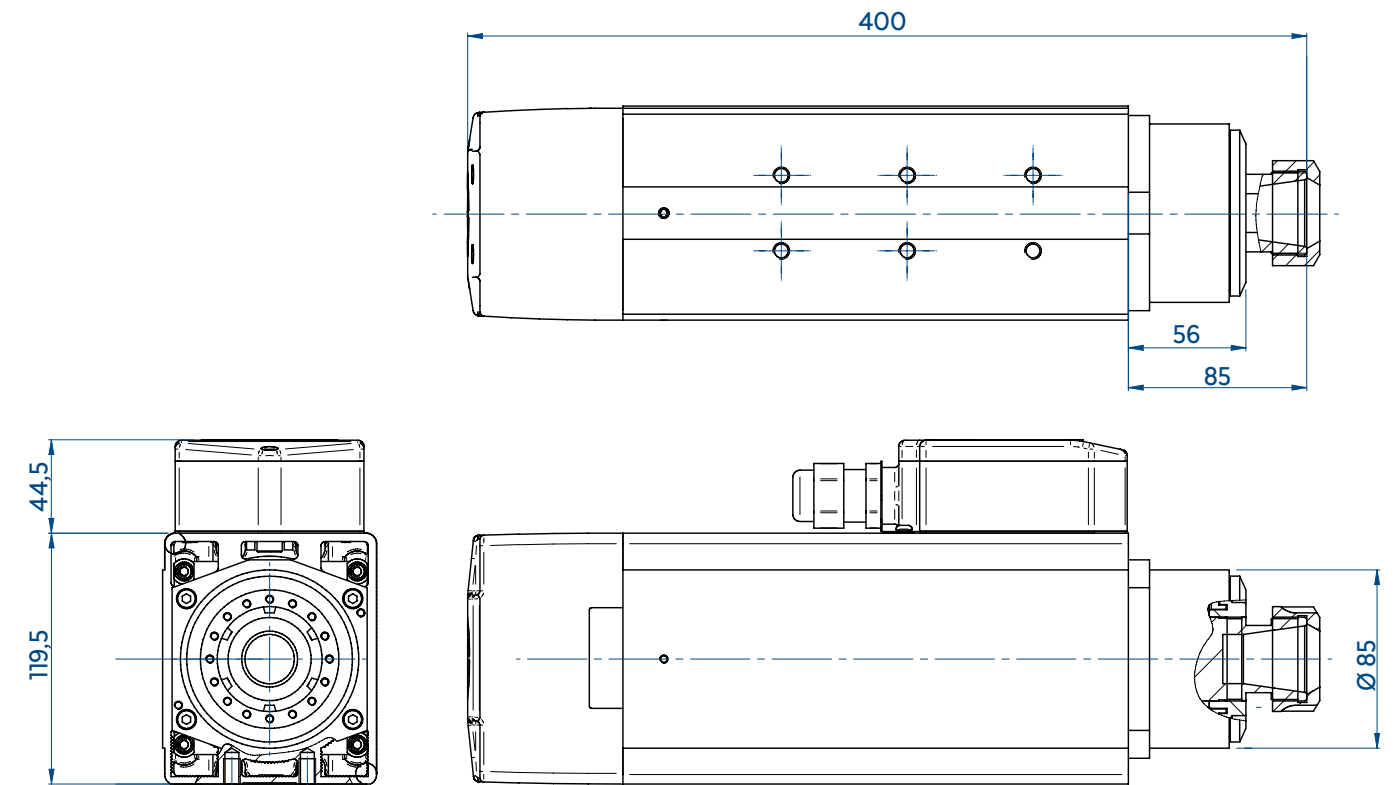
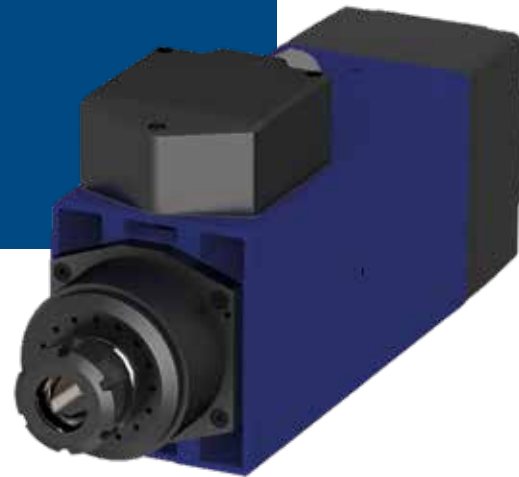
OPZIONALI OPTIONALS

- Dual voltage
220V-380V

PRESTAZIONI PERFORMANCES



QN-1F 6/18 18 ER32 DX



SPECIFICHE TECNICHE TECHNICAL SPECIFICATIONS

S1 kW 6	S6 kW 7,2
S1 Nm 3,2	S6 Nm 3,8
S1 A 12,5	S6 A 15,3
Volt 380	
Pol es 2	
Supply inverter	
rpm 18000	
kg 15	

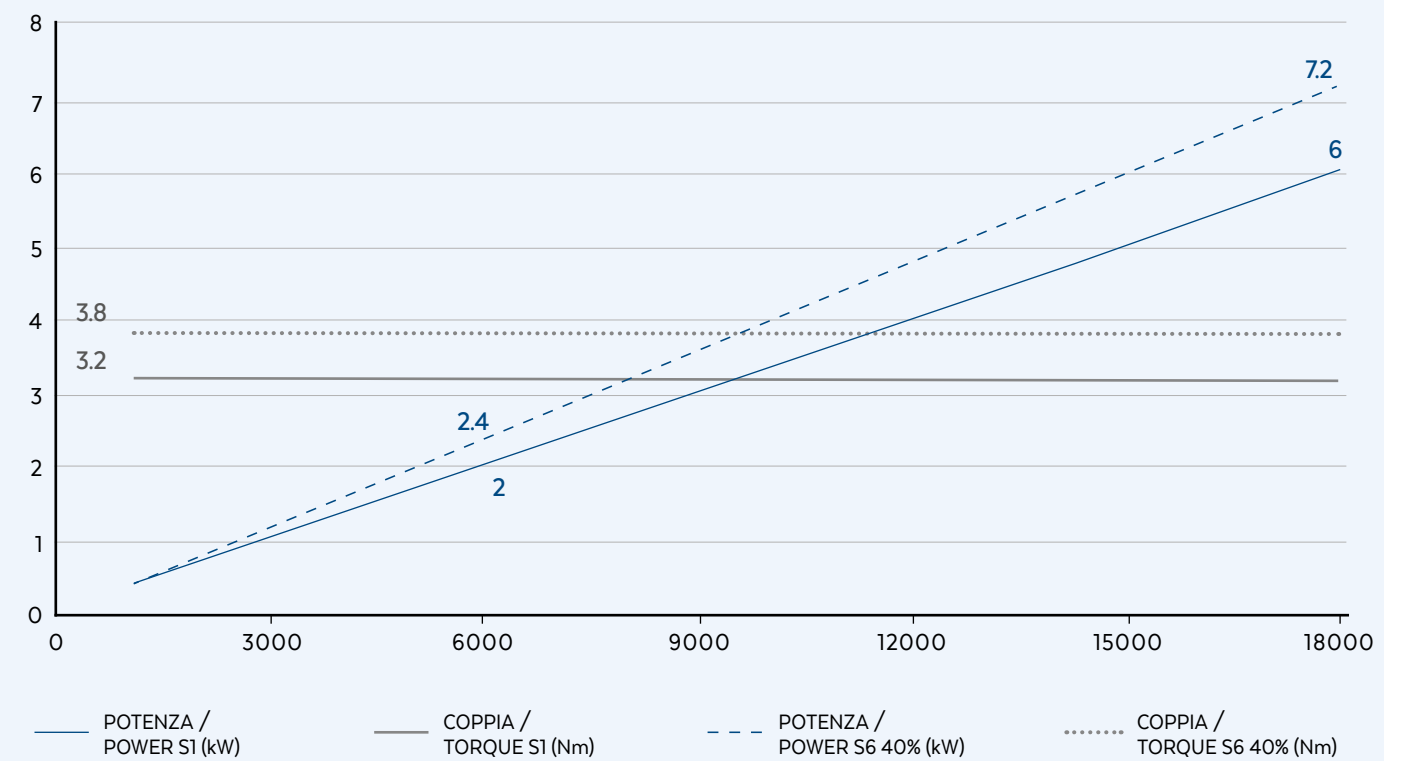
EQUIPAGGIAMENTO EQUIPMENT

- Raffreddamento con elettroventola
Electrofan cooling
- ER32 DX

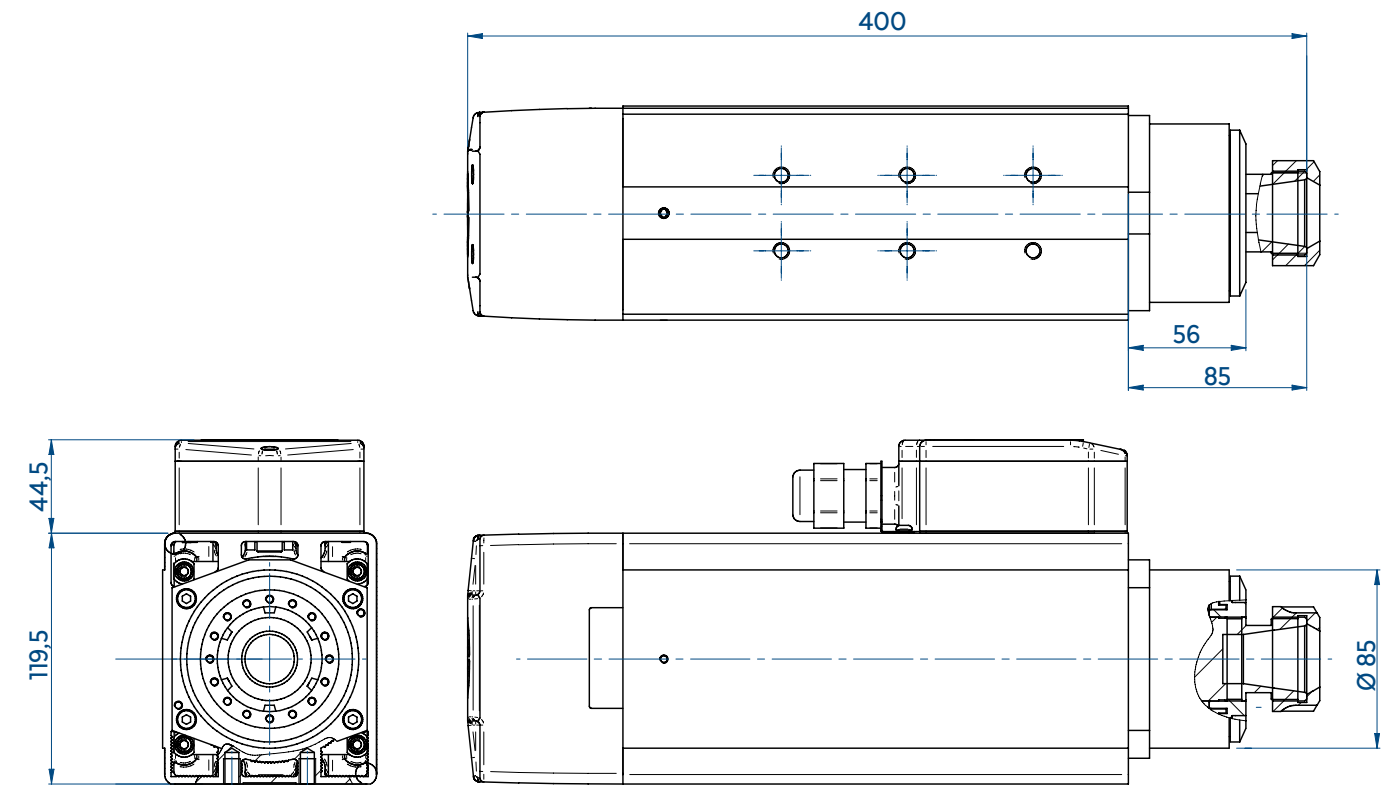
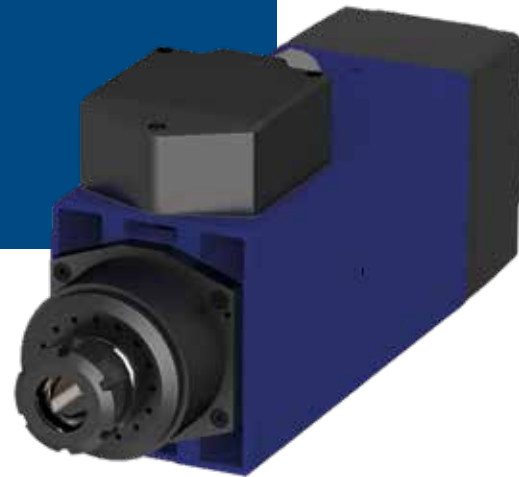
OPZIONALI OPTIONALS

- Dual voltage
220V-380V

PRESTAZIONI PERFORMANCES



QN-IF 4.5/18 24 ER32 DX



SPECIFICHE TECNICHE TECHNICAL SPECIFICATIONS

S1 kW 4,5	S6 kW 5,4
S1 Nm 2,4	S6 Nm 2,9
S1 A 9,5	S6 A 15
Volt 380	
Pol es 2	
Supply inverter	
rpm 24000	
kg 15	

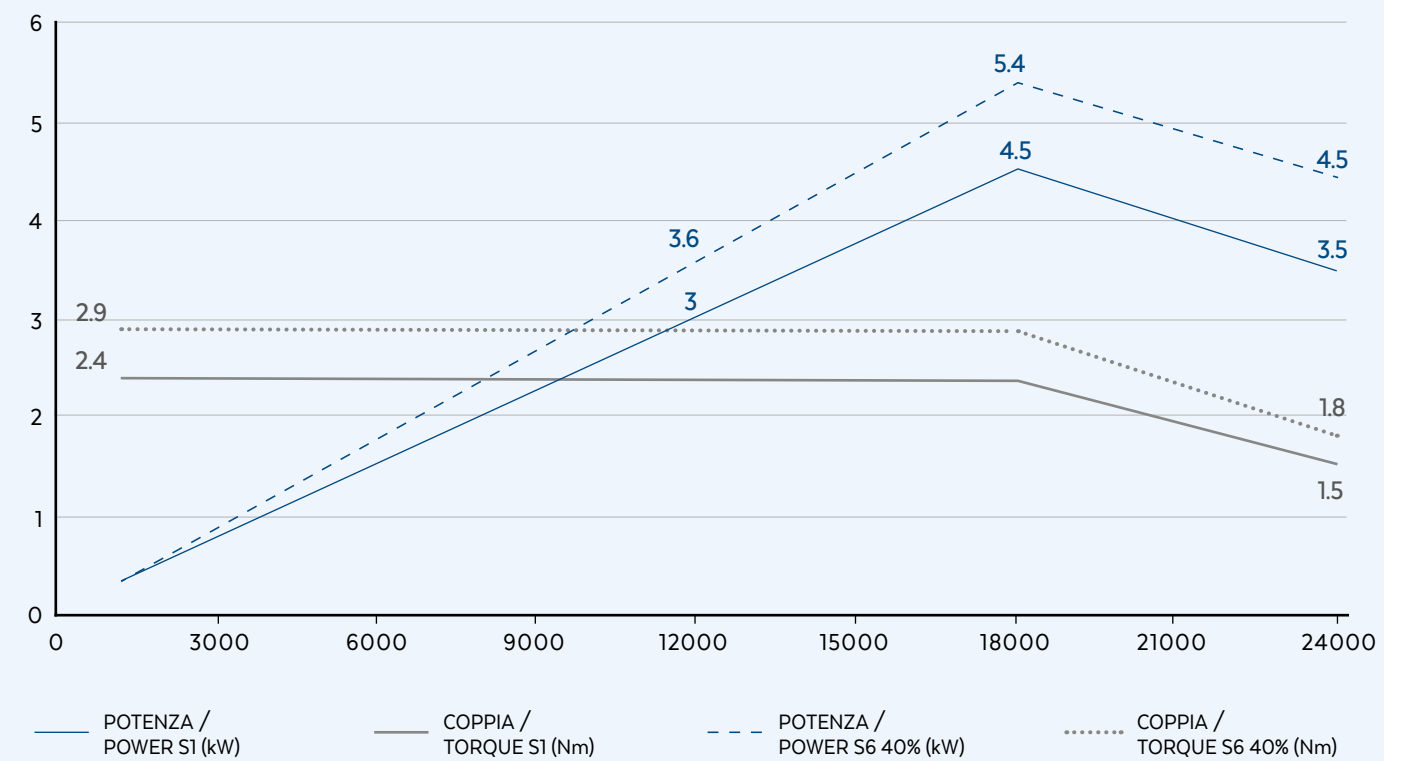
EQUIPAGGIAMENTO EQUIPMENT

- Cuscinetti ceramici
Ceramic ball bearings
- Raffreddamento con elettroventola
Electrofan cooling
- ER32 DX

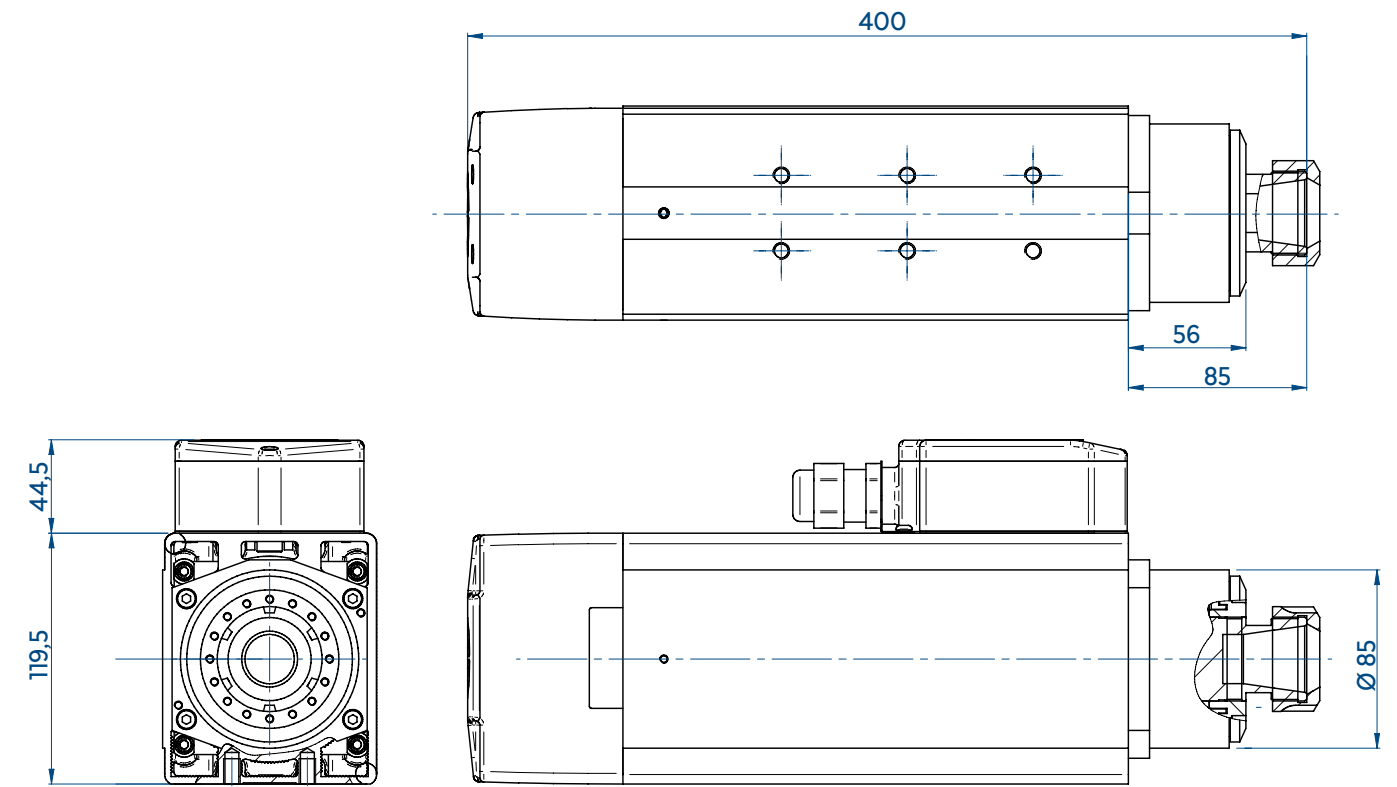
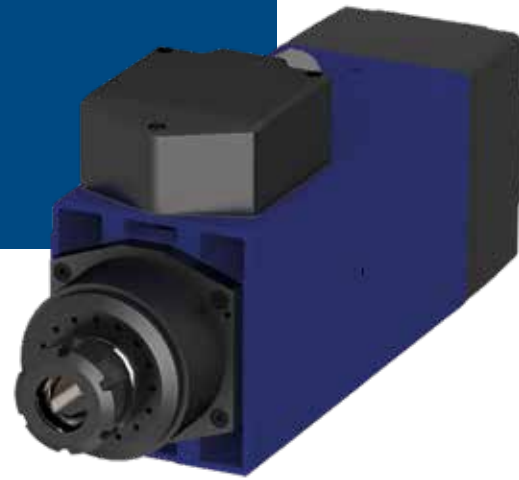
OPZIONALI OPTIONALS

- Dual voltage
220V-380V

PRESTAZIONI PERFORMANCES



QN-1F 6/18 24 ER32 DX



SPECIFICHE TECNICHE TECHNICAL SPECIFICATIONS

S1 kW 6	S6 kW 7,2
S1 Nm 3,2	S6 Nm 3,8
S1 A 12,5	S6 A 15,3
Volt 380	
Pol es 2	
Supply inverter	
rpm 24000	
kg 15	

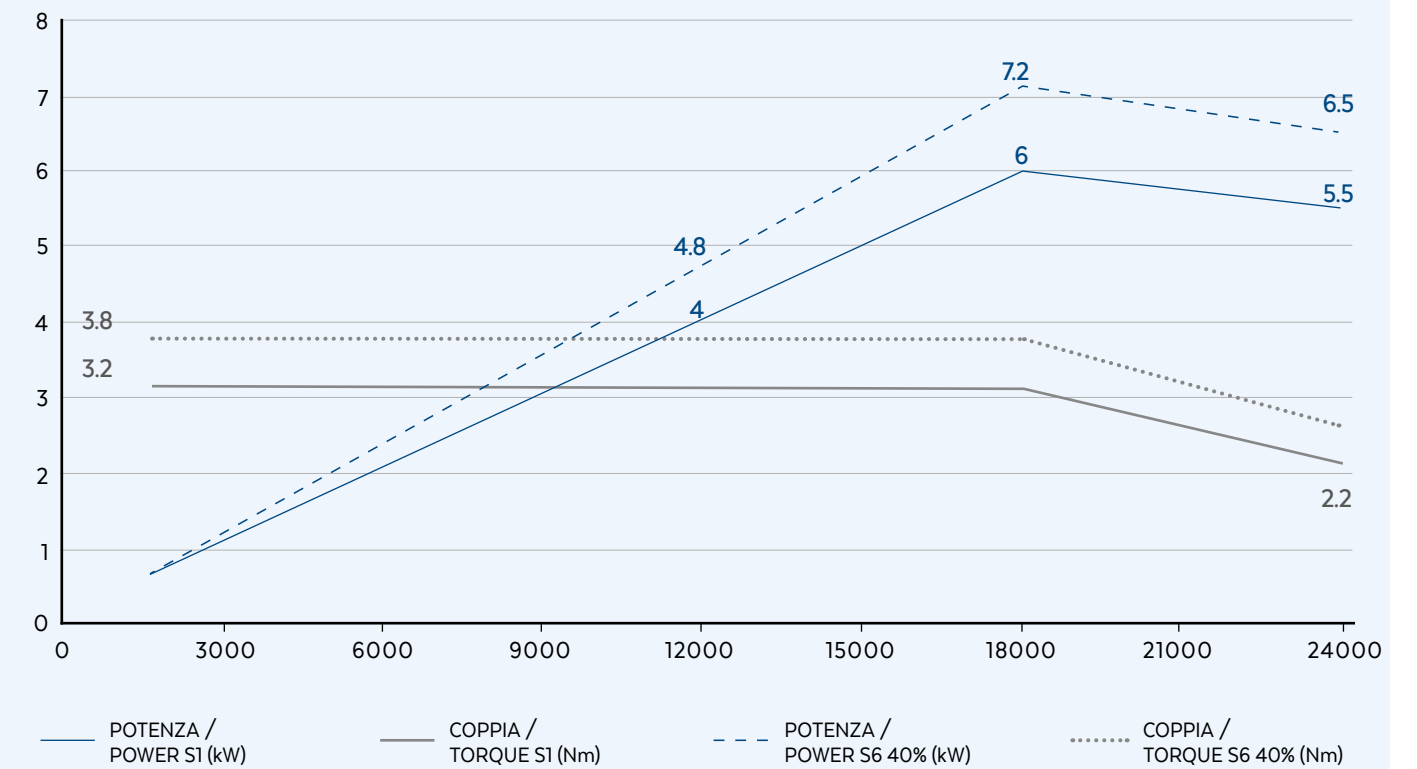
EQUIPAGGIAMENTO EQUIPMENT

- Cuscinetti ceramici
Ceramic ball bearings
- Raffreddamento con elettroventola
Electrofan cooling
- ER32 DX

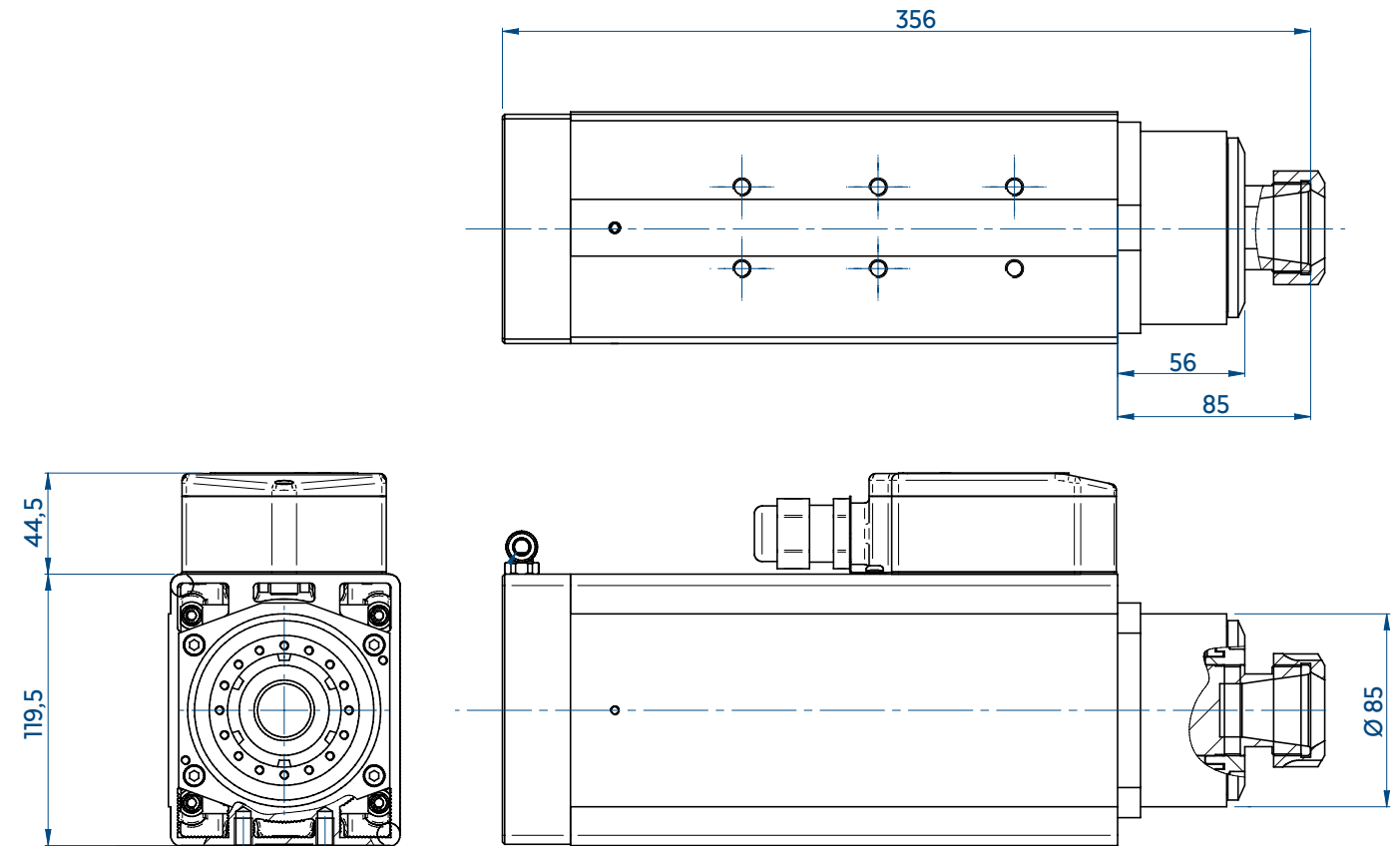
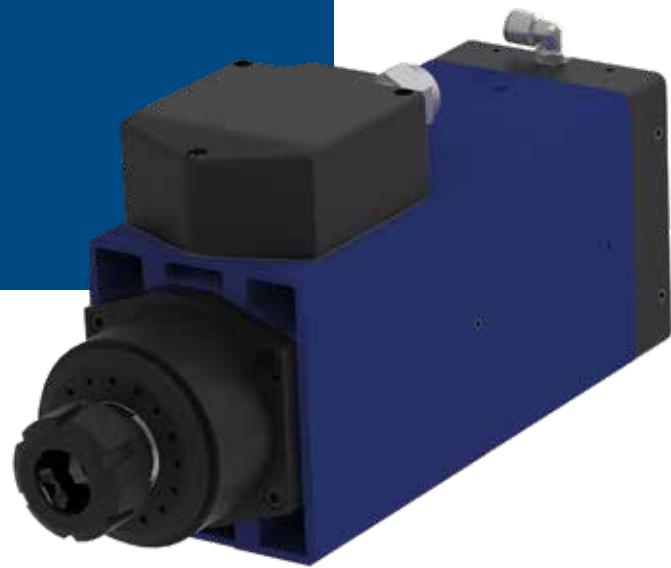
OPZIONALI OPTIONALS

- Dual voltage
220V-380V

PRESTAZIONI PERFORMANCES



QN-1C 4.5/18 18 ER32 DX



SPECIFICHE TECNICHE TECHNICAL SPECIFICATIONS

S1 kW 4,5	S6 kW 5,4
S1 Nm 2,4	S6 Nm 2,9
S1 A 9,5	S6 A 12,8
Volt 380	
Pol es 2	
Supply inverter	
rpm 18000	
kg 15	

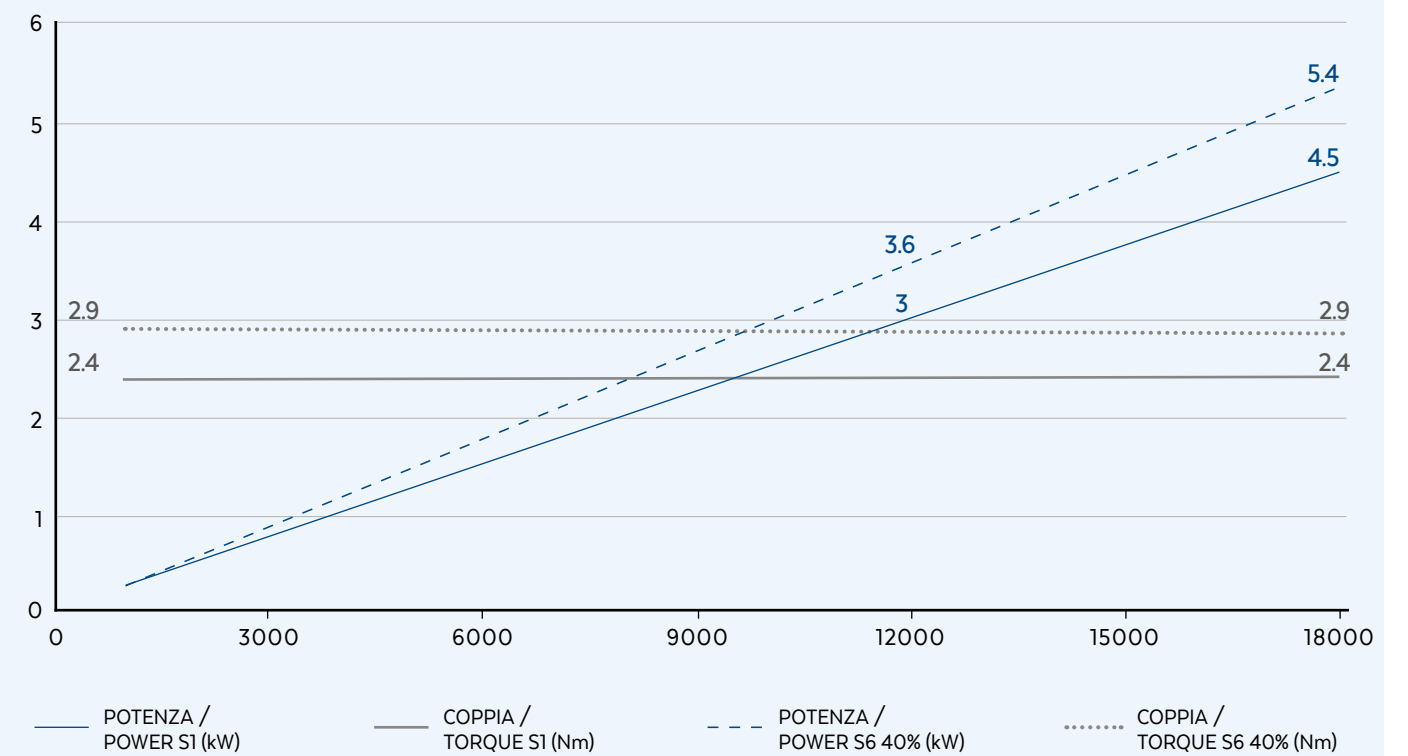
EQUIPAGGIAMENTO EQUIPMENT

- COM-PRESSED AIR** Raffreddamento con aria compressa
Compressed air cooling
- ER32 DX**

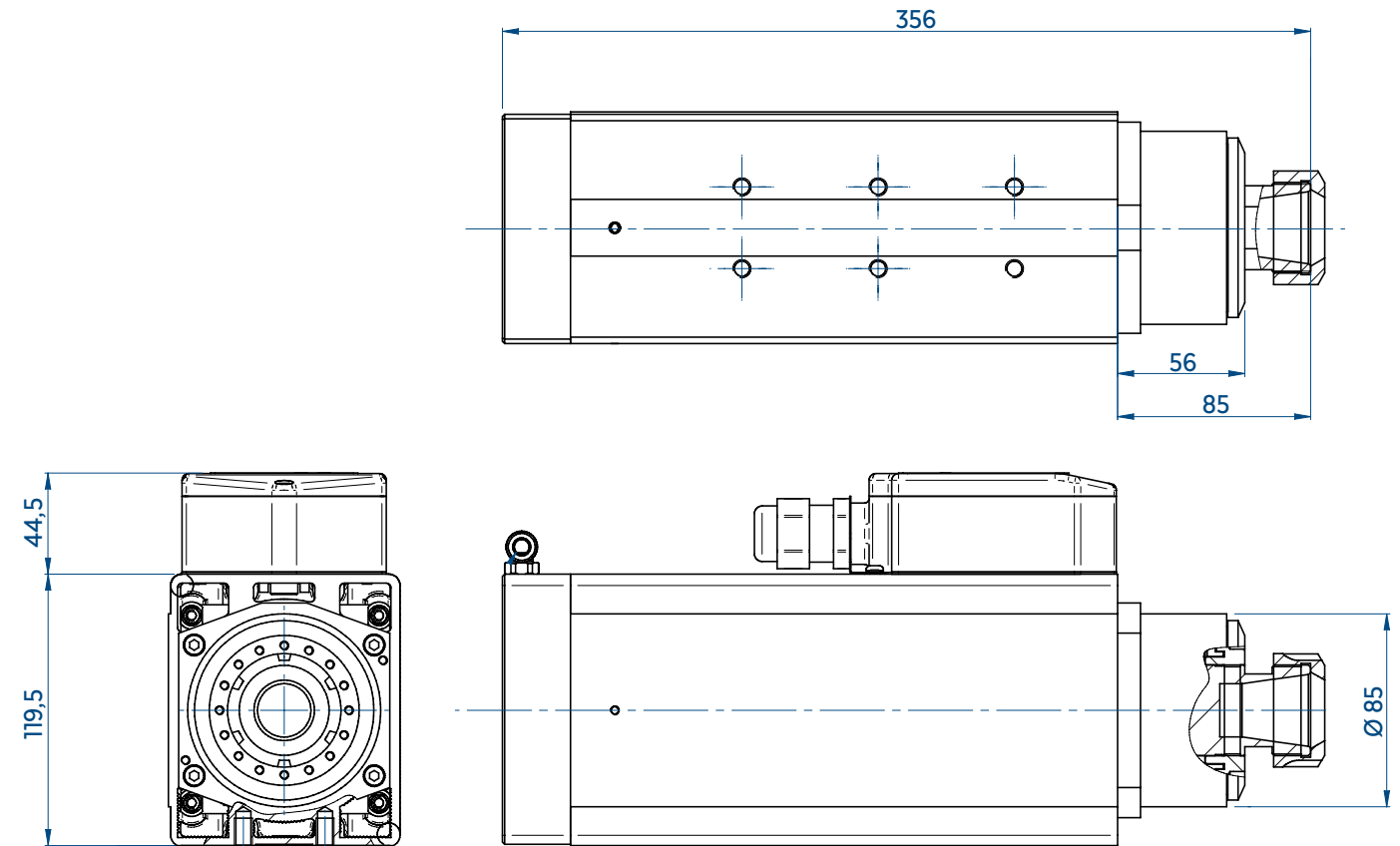
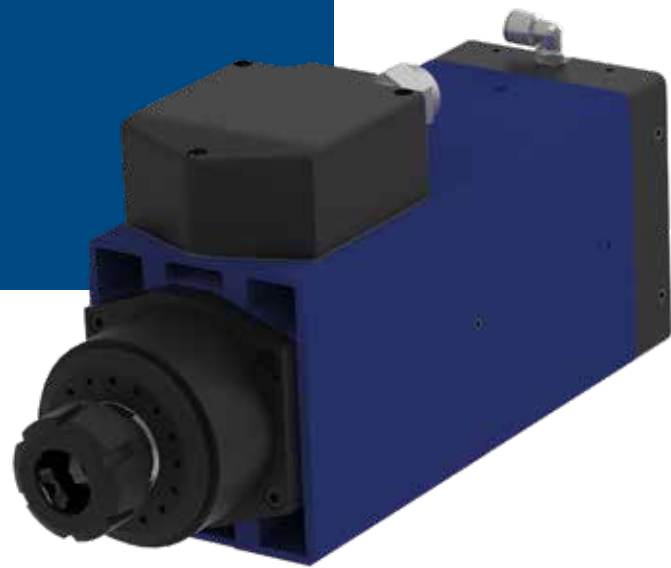
OPZIONALI OPTIONALS

- Dual voltage** 220V-380V

PRESTAZIONI PERFORMANCES



QN-1C 6/18 18 ER32 DX



SPECIFICHE TECNICHE TECHNICAL SPECIFICATIONS

S1 kW 6	S6 kW 7,2
S1 Nm 3,2	S6 Nm 3,8
S1 A 12,5	S6 A 15,3
Volt 380	
Pol es 2	
Supply inverter	
rpm 18000	
kg 15	

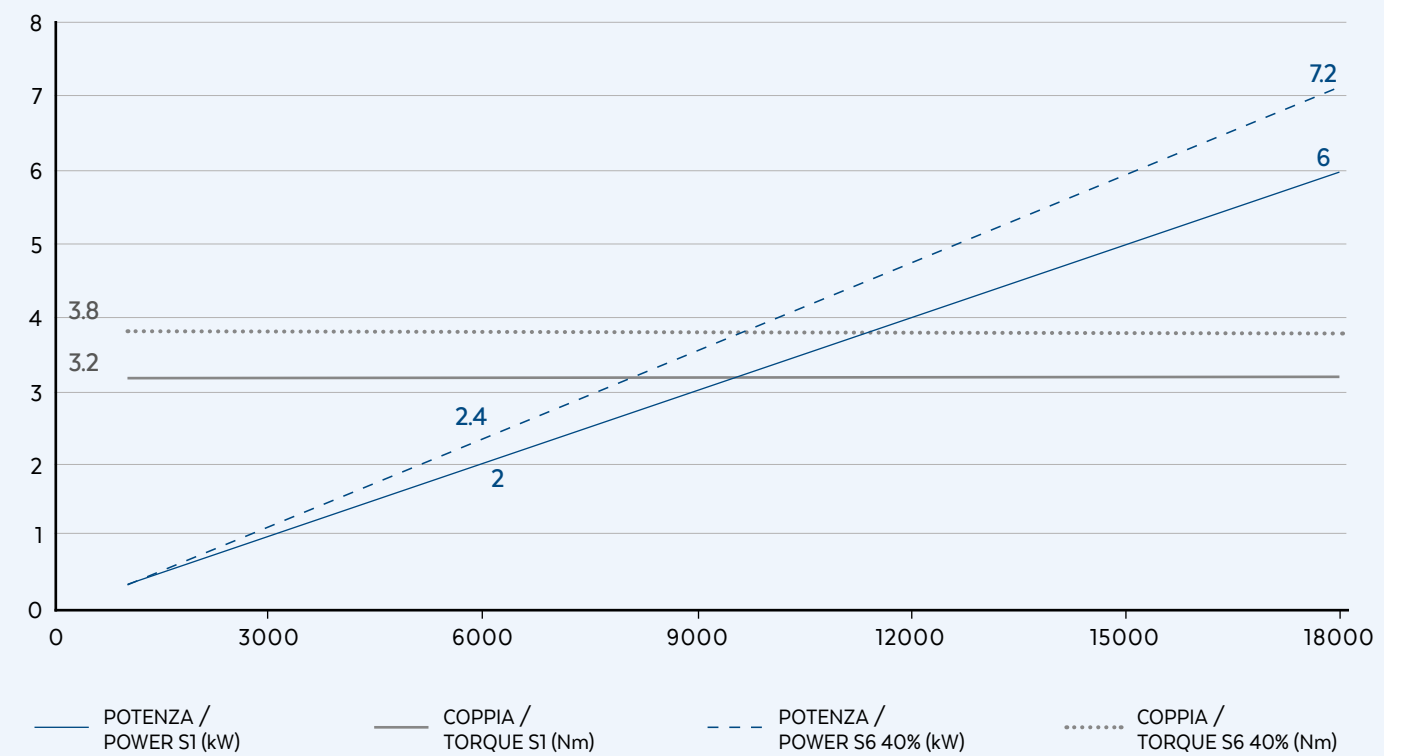
EQUIPAGGIAMENTO EQUIPMENT

- Raffreddamento con aria compressa
Compressed air cooling
- ER32 DX

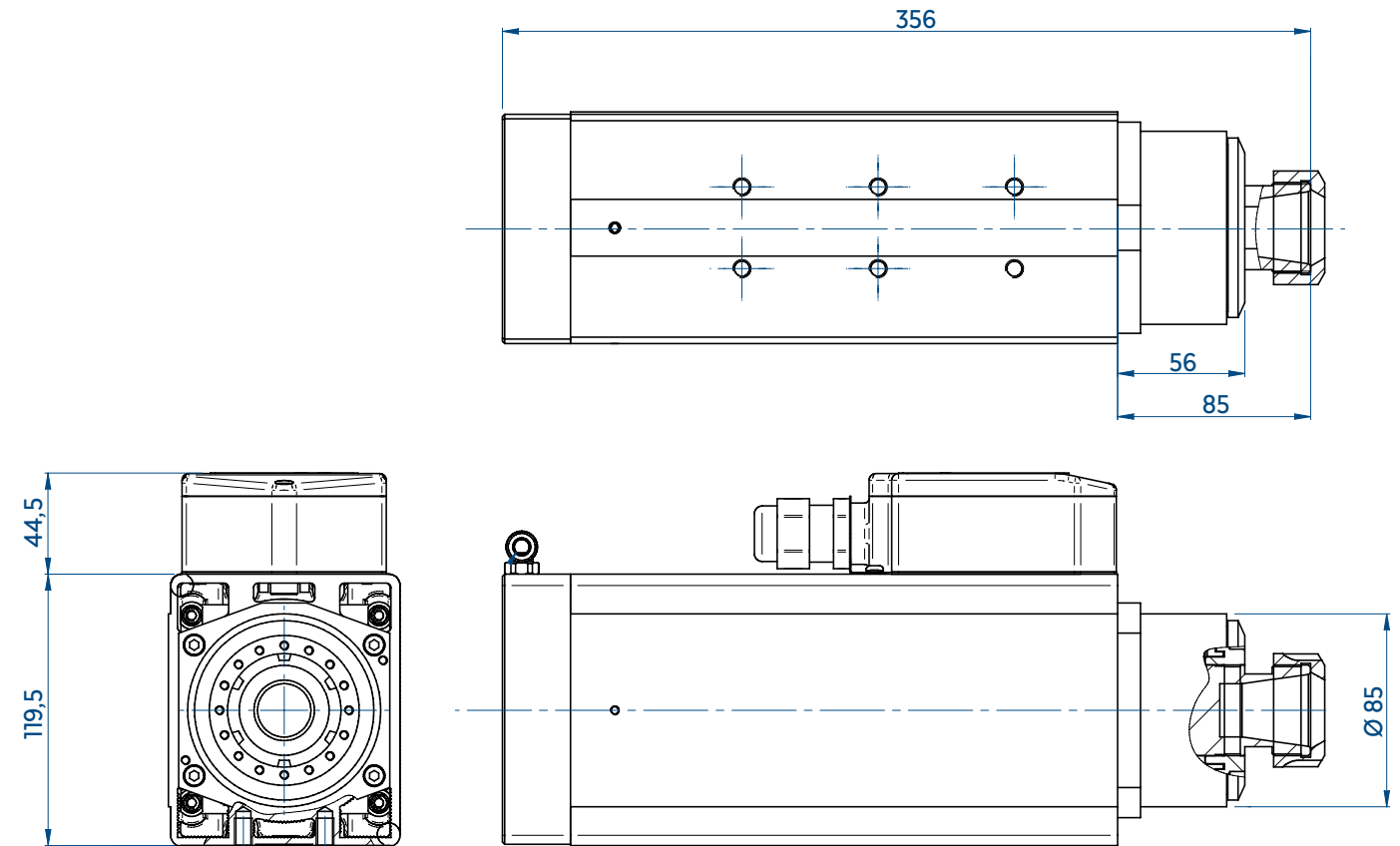
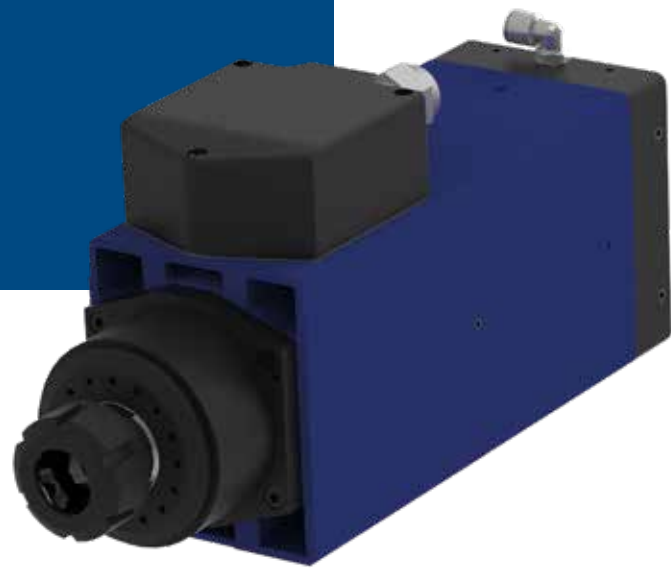
OPZIONALI OPTIONALS

- Dual voltage 220V-380V

PRESTAZIONI PERFORMANCES



QN-1C 4.5/18 24 ER32 DX



SPECIFICHE TECNICHE TECHNICAL SPECIFICATIONS

S1 kW 4,5	S6 kW 5,4
S1 Nm 2,4	S6 Nm 2,9
S1 A 9,5	S6 A 15
Volt 380	
Pol es 2	
Supply inverter	
rpm 24000	
kg 15	

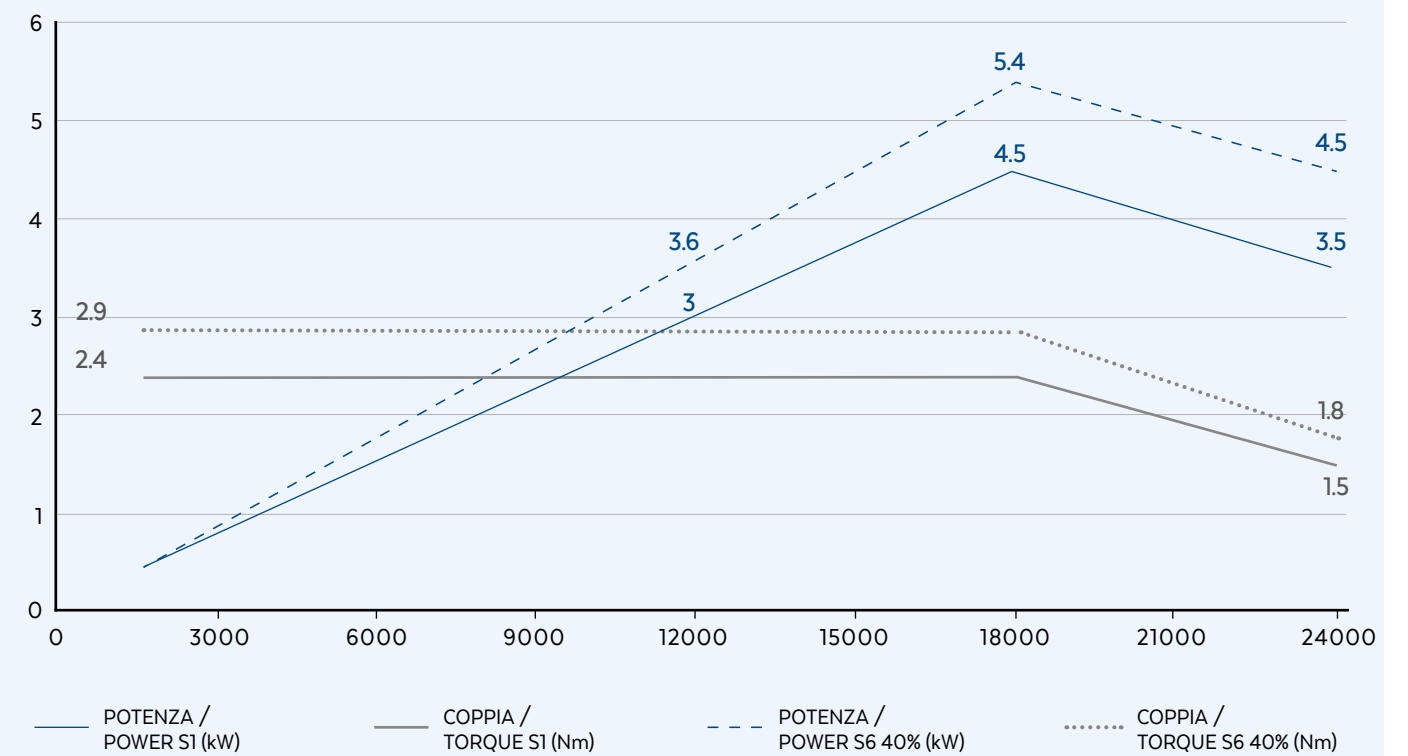
EQUIPAGGIAMENTO EQUIPMENT

-  Cuscinetti ceramici
Ceramic ball bearings
-  Raffreddamento con aria compressa
Compressed air cooling
-  ER32 DX

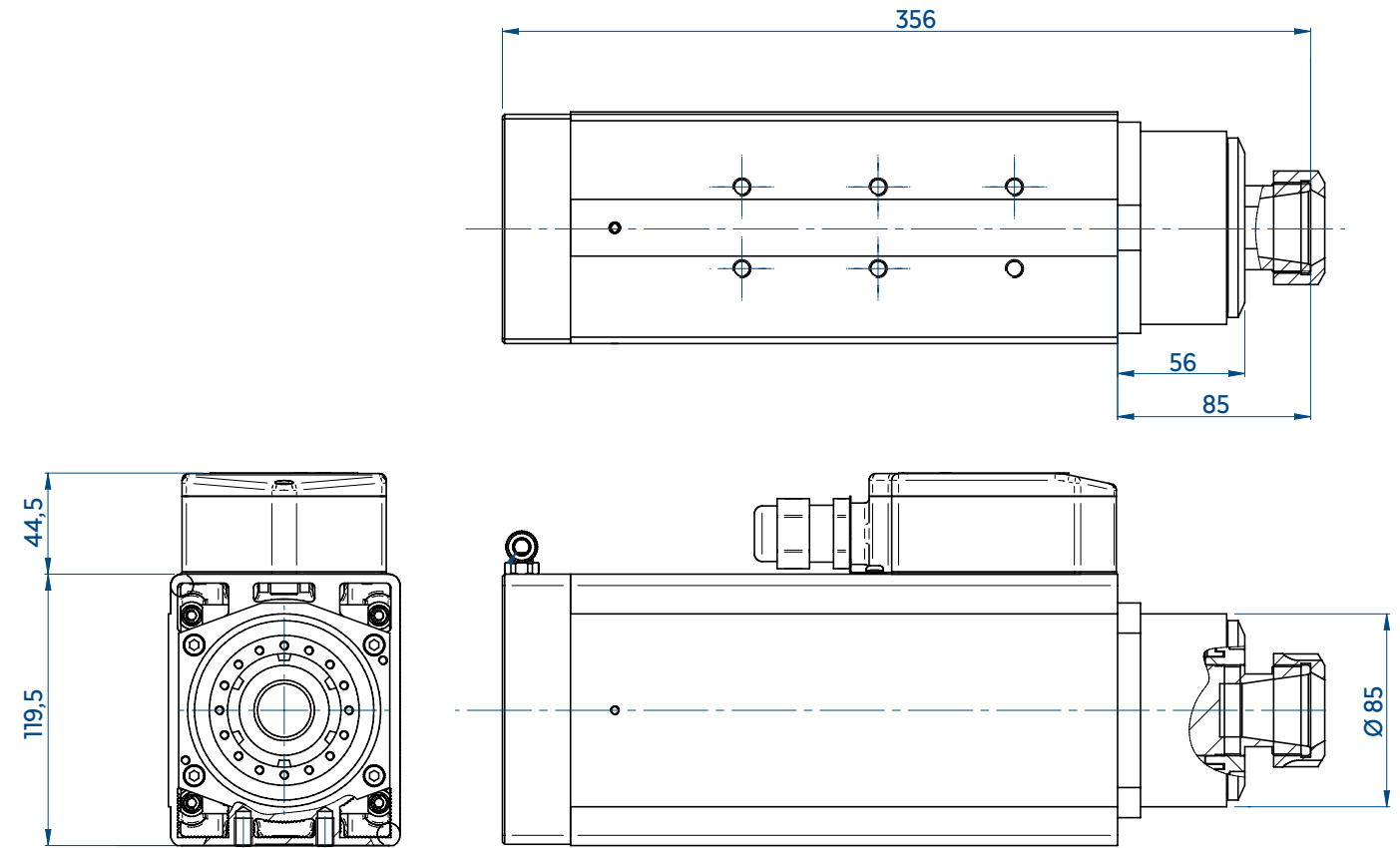
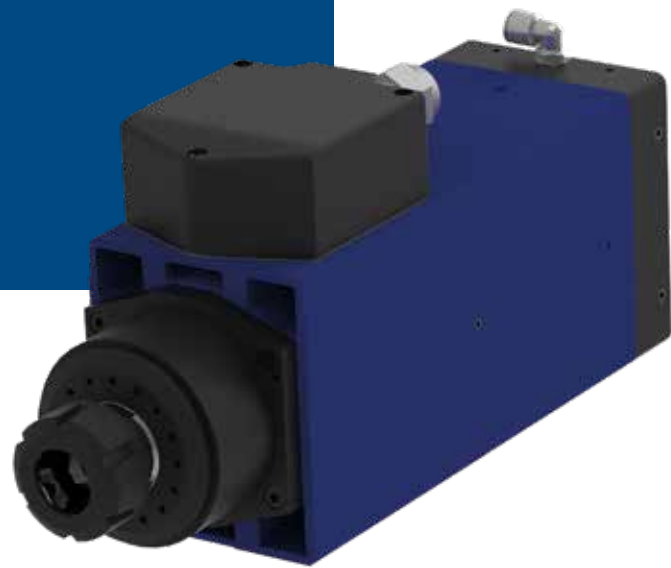
OPZIONALI OPTIONALS

-  Dual voltage
220V-380V

PRESTAZIONI PERFORMANCES



QN-1C 6/18 24 ER32 DX



SPECIFICHE TECNICHE TECHNICAL SPECIFICATIONS

S1 kW 6	S6 kW 7,2
S1 Nm 3,2	S6 Nm 3,8
S1 A 12,5	S6 A 15,3
Volt 380	
Pol es 2	
Supply inverter	
rpm 24000	
kg 15	

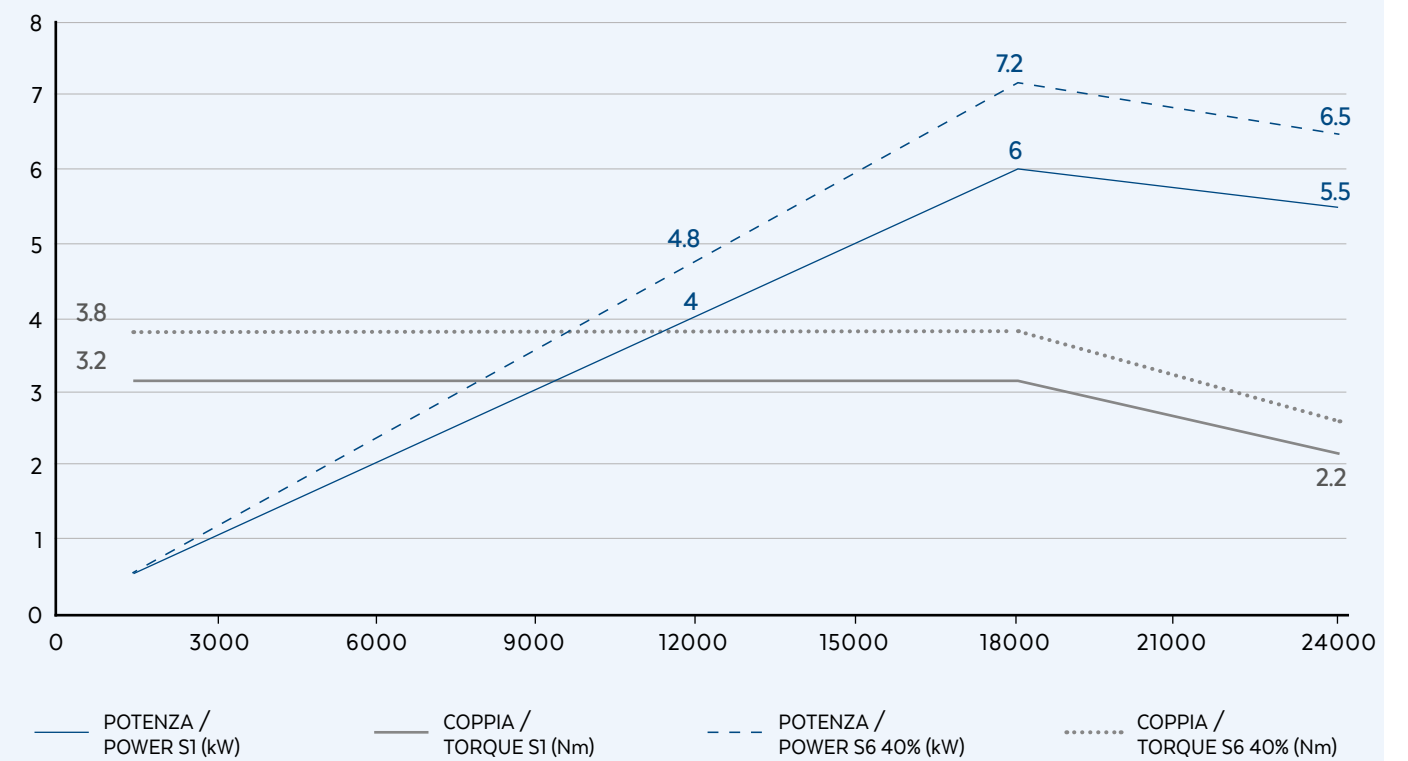
EQUIPAGGIAMENTO EQUIPMENT

- Cuscinetti ceramici
Ceramic ball bearings
- Raffreddamento con aria compressa
Compressed air cooling
- ER32 DX

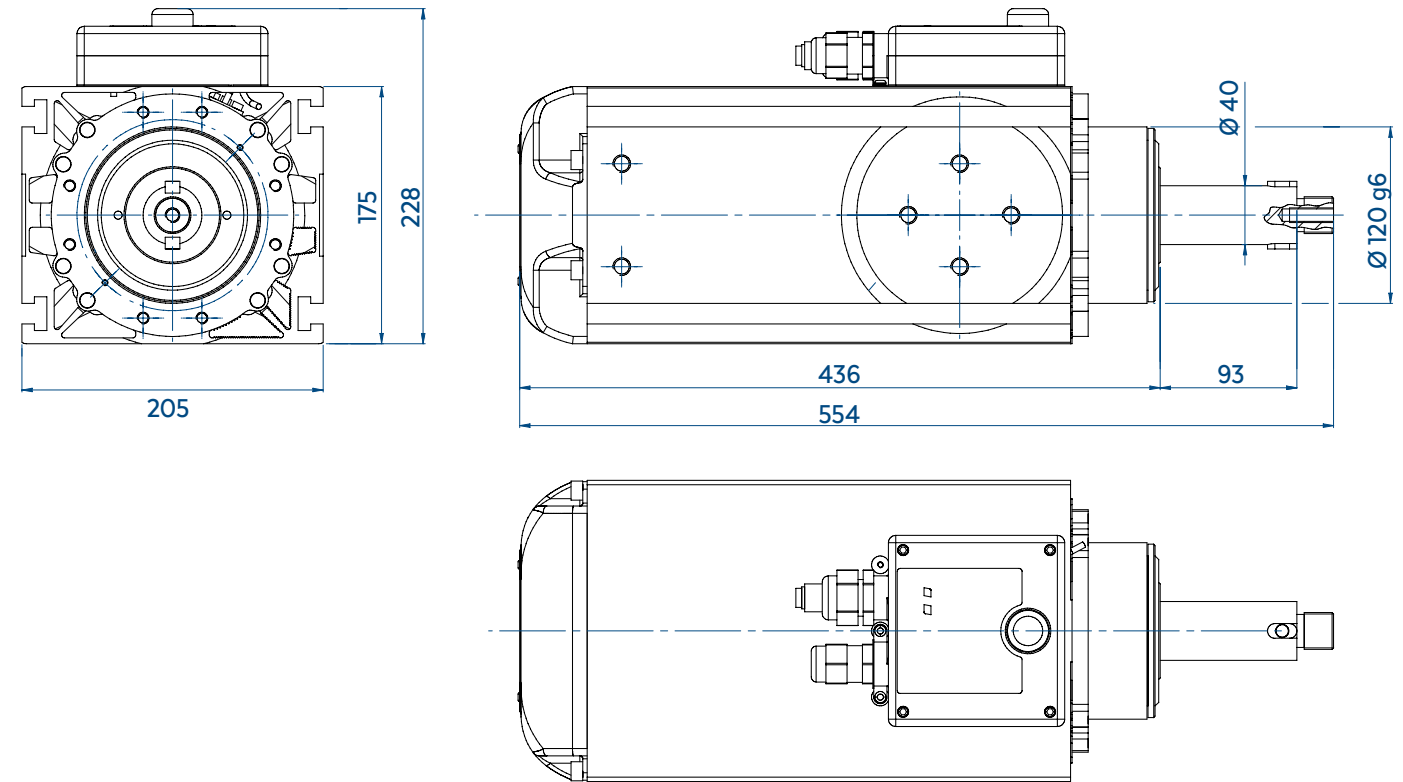
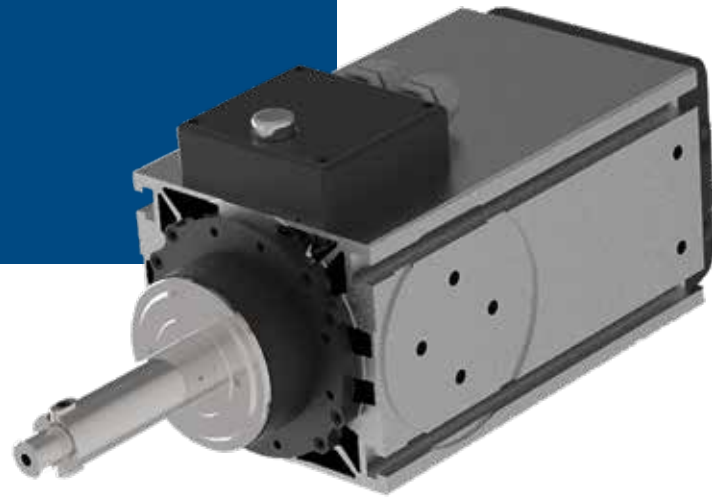
OPZIONALI OPTIONALS

- Dual voltage
220V-380V

PRESTAZIONI PERFORMANCES




MQH-1 8/6 9 D40 L93 RS




SPECIFICHE TECNICHE TECHNICAL SPECIFICATIONS


S1 kW 8	S6 kW 10
S1 Nm 12,7	S6 Nm 15,9
S1 A 15,8	S6 A 18,7
Volt 380	
Pol es 4	
Supply inverter	
rpm 9000	
kg 55	

EQUIPAGGIAMENTO EQUIPMENT

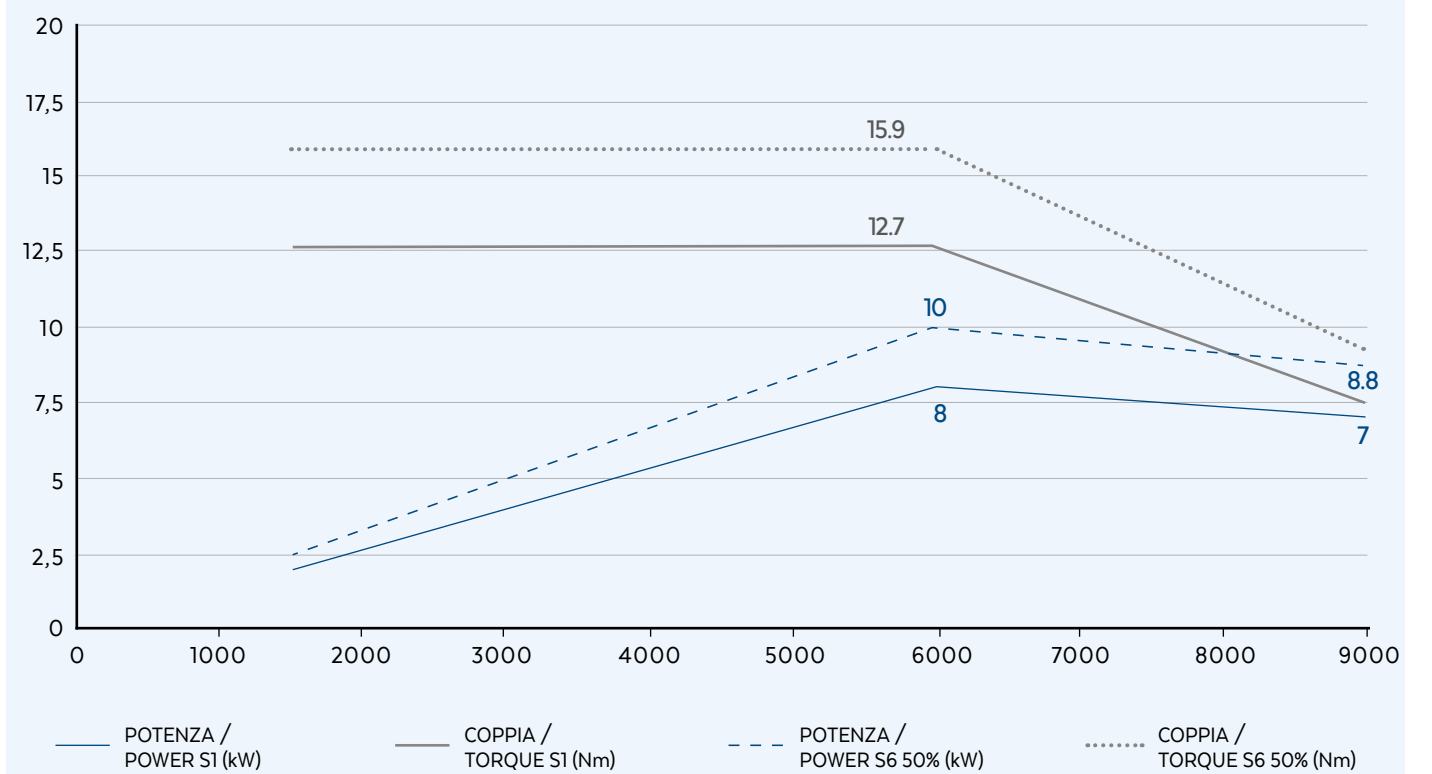
 **Aria forzata**
(ventola calettata su albero)
By fan on the shaft

OPZIONALI OPTIONALS

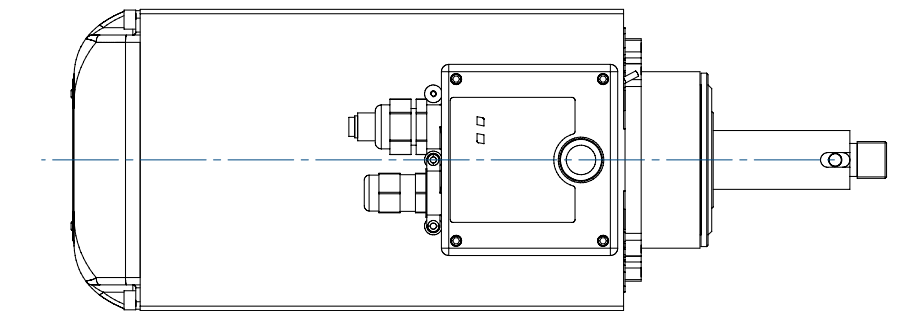
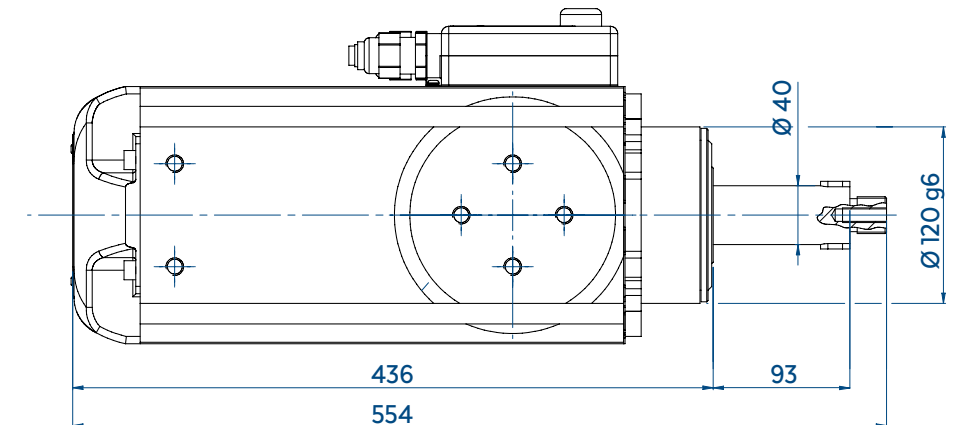
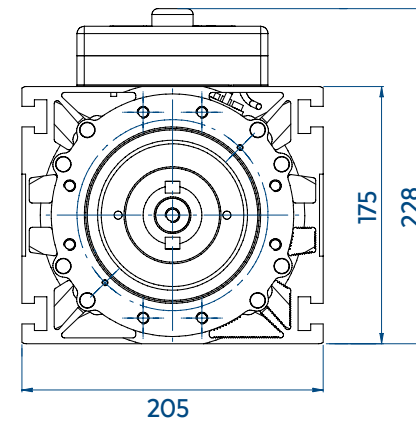
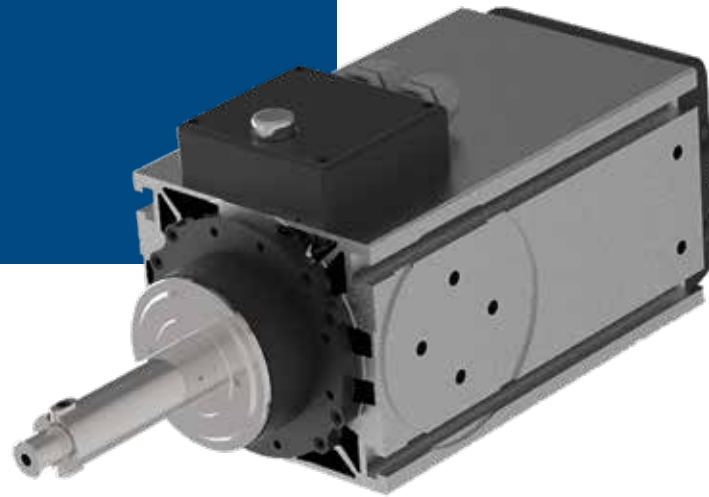
 **Albero D40 L75-ES**
Shaft D40 L75-ES

 **Albero D40 L123**
Shaft D40 L123

PRESTAZIONI PERFORMANCES




MQH-1 13/6 9 D40 L93 RS




SPECIFICHE TECNICHE TECHNICAL SPECIFICATIONS

S1 kW 13	S6 kW 14,5
S1 Nm 20,7	S6 Nm 22,7
S1 A 25,8	S6 A 30
Volt 380	
Pol es 4	
Supply inverter	
rpm 9000	
kg 55	

EQUIPAGGIAMENTO EQUIPMENT

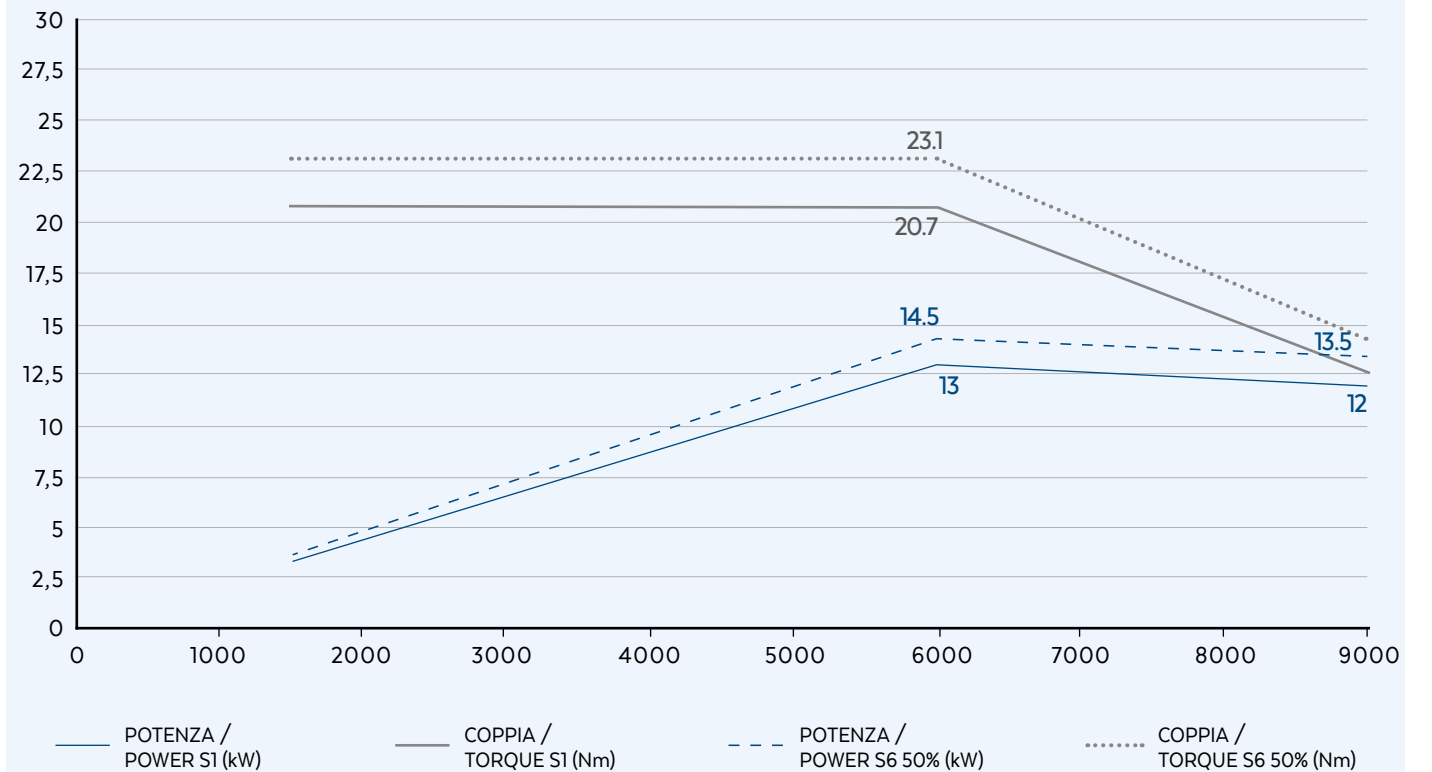
 **Aria forzata**
(ventola calettata su albero)
By fan on the shaft

OPZIONALI OPTIONALS

 **Albero D40 L75-ES**
Shaft D40 L75-ES

 **Albero D40 L123**
Shaft D40 L123

PRESTAZIONI PERFORMANCES



ADDITIONAL EQUIPMENT

- C-Axis p.160
- Reference sleeve p.160
- Tool holder p.161
- Tool finger p.161
- Heat exchanger p.161



C-AXIS FOR POWERTECH 300-400



Compass Naso corto (NC) con 3 utenze pneumatiche, con servomotore Yaskawa
Compass Short Nose (NC) with 3 pneumatic supplies, with Yaskawa servomotor

Compass Naso lungo (NL) con 3 utenze pneumatiche, con servomotore Yaskawa
Compass Long Nose (NL) with 3 pneumatic supplies with Yaskawa servomotor

OPZIONALI OPTIONALS

Disponibile senza servomotore
Available without servomotor

CONO PORTA UTENSILE TOOL HOLDER



Tool holder
Cono porta utensile HSK63F ER 32 M40X1.5_DX

Tool holder
Cono porta utensile ISO30 ER 32 M40X1.5_DX

Per altre tipologie di pinze porta utensile, contatta lo staff Hiteco
For other tool finger size, contact Hiteco staff

PINZA PORTA UTENSILE TOOL FINGER

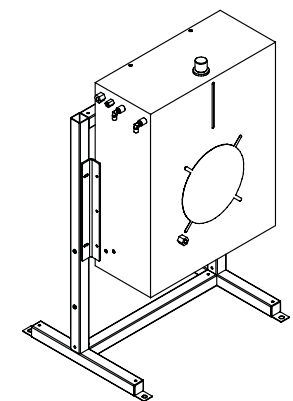


Tool finger
Pinza porta utensile HSK 63F

Tool finger
Pinza porta utensile ISO 30

Per altre tipologie di pinze porta utensile, contatta lo staff Hiteco
For other tool finger size, contact Hiteco staff

SCAMBIATORE DI CALORE HEAT EXCHANGER



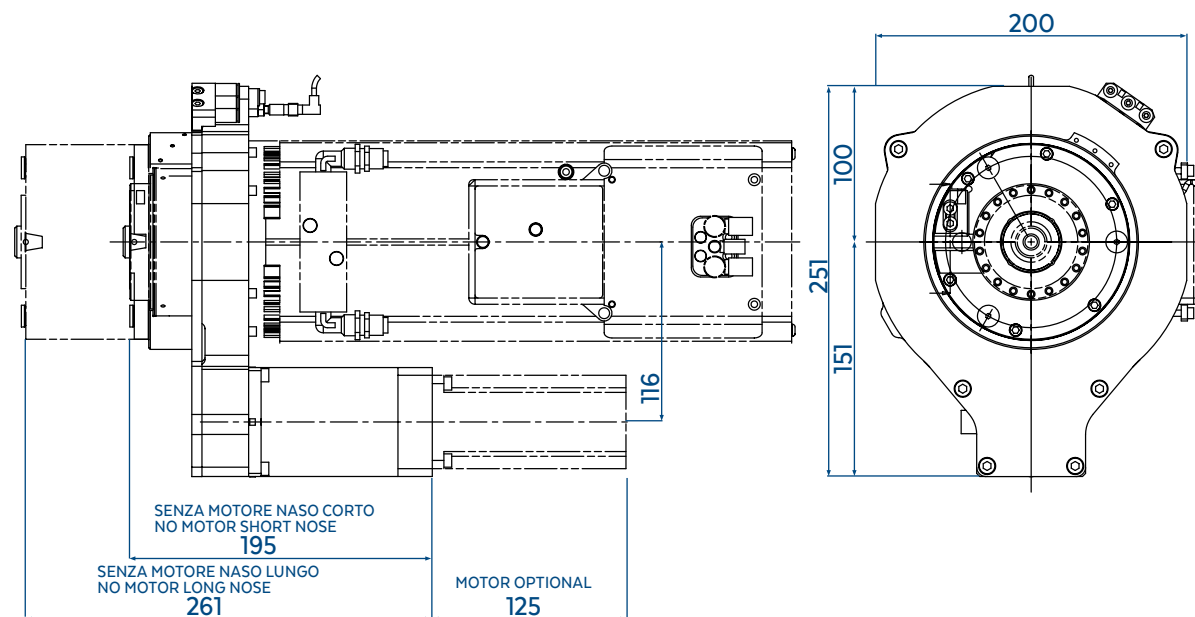
Potenza di raffreddamento
Cooling power 5000 W with liquid temperature +40°, air temperature +20°C

Portata liquido
Liquid flow 4 lt/min at 5,5 bar

Capacità serbatoio
Tank capacity 5 lt

OPZIONALI OPTIONALS

Disponibile versione senza supporto e tubi flessibili
Available without support and flexible hoses



RIFERIMENTO TESTINE REFERENCE SLEEVE



Riferimento testine per PT200: 2 posizioni, senza utenze pneumatiche
Reference sleeve for PT200: 2 positions, without pneumatic supplies

Riferimento testine per PT250: 2 posizioni, con o senza utenze pneumatiche
Reference sleeve for PT250: 2 positions, with or without pneumatic supplies

Riferimento testine per PT300-400: 2 posizioni, disponibile in versione Naso corto e Naso lungo (NC e NL), con e senza utenze pneumatiche
Reference sleeve for PT300-400: 2 positions, available for Short and Long nose (NC and NL), with or without pneumatic supplies

Riferimento testine per mandrini 5 assi (con 1 utenza pneumatica)
Reference sleeve for 5-axis spindles (with pneumatic supply)

start
thinking
light blue



change your head



to be ahead



HITECO

ss 258 Marecchia, 18/30/34 47826 Villa Verucchio, Rimini - Italia

tel. +39.0541.674940 - fax +39.0541.674962

www.hiteco.net