

# B AC Motors

## Speed Controller DSK

# DSK Speed Controller



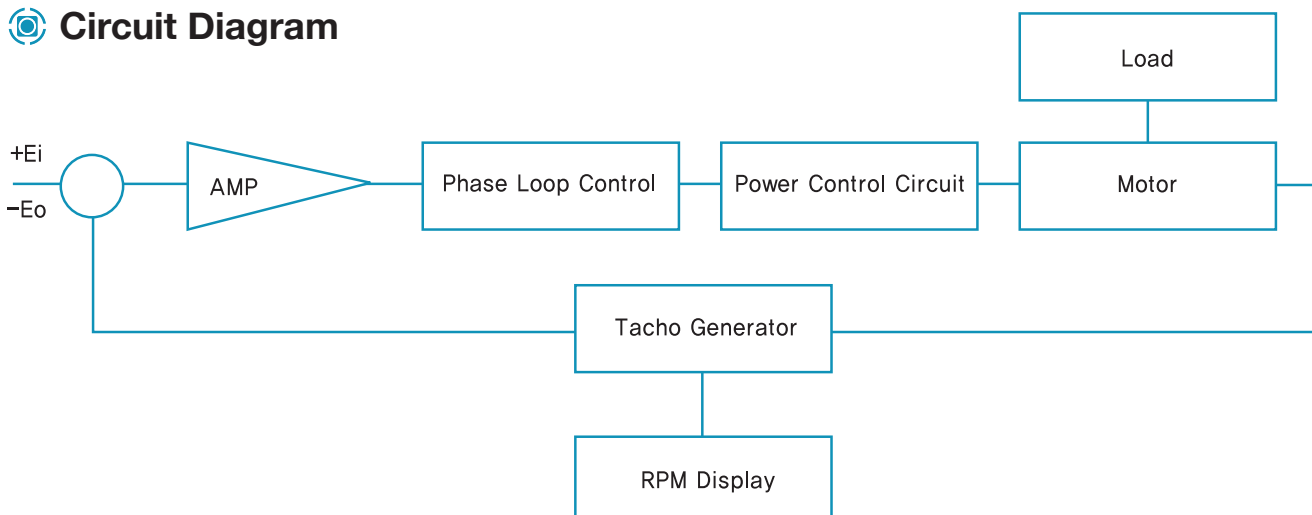
## Features

- Compact Speed Control Pack**  
 It is compact speed control pack with small plug-in (8 pin) type.
- Easy Operation**  
 The speed can be set easily with the potentiometer on the front panel of the controller.

## General Specifications

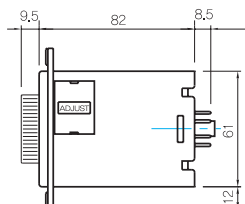
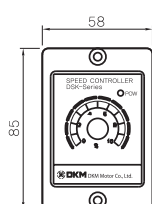
Item	Specification	Item	Specification
Rated Input Voltage	220VAC 50/60Hz	Ambient Temperature	-10°C~+55°C
Voltage Regulation	±10%	Ambient Humidity	35~85% RH
Power Consumption	Below 4VA	Weight	142g
Control Mode	Phase Loop Control	Dimension	58(W) X 85(H) X 100(D)mm
Input Frequency	18Hz~360Hz (TACHO)	Insulation Resistance	100MΩ or more when DC500V MEGA is applied between the windings and the frame after rated motor operation under normal ambient temperature and humidity.
Power On/Off Signal	Red color of LED	Dielectric Strength	Sufficient to withstand 1.5KV at 50Hz and 60Hz applied between the windings and the frame for 1 minute after rated motor operation under normal ambient temperature and humidity.
Speed Set Range	90~1750r/min		

## Circuit Diagram

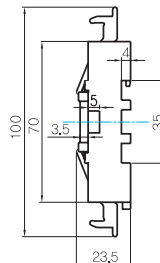
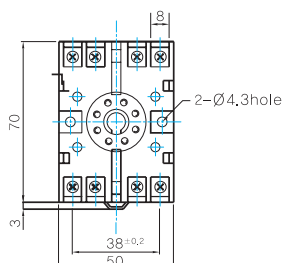


## Dimensions

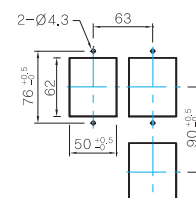
### DSK



### Socket

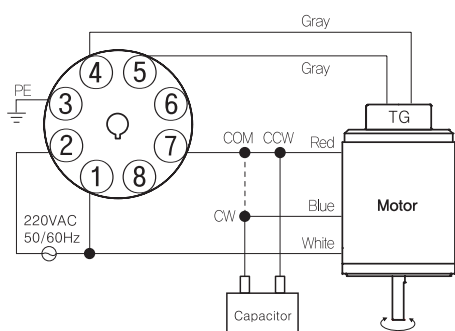


### Mounting Panel

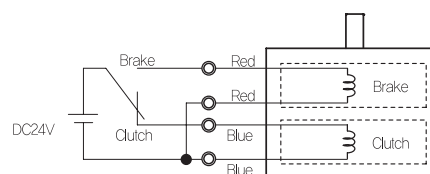


## Connection Diagrams

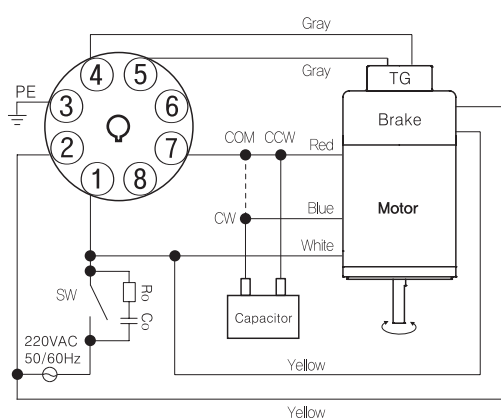
### Speed Control Induction Motor / Speed Control Reversible Motor / Speed Control Clutch & Brake Motor



### [ Clutch & Brake Connection Diagram ]



### Speed Control E.M. Brake Motor



#### \* SW Contact Capacity:

AC125V or AC250 5A minimum

Ro and Co indicate CR circuit for surge suppression.

[Ro=5~200Ω Co=0.1~0.2μF, 200W (400W)]

- 1) At first connect each terminal on the rear panel of the controller with the motor as instructed in connection diagram. And then input the external power to both of the terminal 'AC' for the rated speed operation. Now you can adjust the main volume on the center of front panel to control the output speed of motor.
- 2) Direction: Clockwise COM+CW, Counterclockwise COM+CCW
- 3) For the connection method of the clutch & brake part, refer to the diagram of [Clutch & Brake Connection Diagram].
- 4) When using powerful fan (F2 type) attached motor, connect two black wires of the fan to No.1 and No.2 terminals in order to supply power.