

# TBL

series



## Terms of Use

The user is responsible for determining the suitability of TiMOTION products for a specific application.

Due to continuous development in order to improve our products, TiMOTION products are subject to frequent modifications and changes without prior notice.

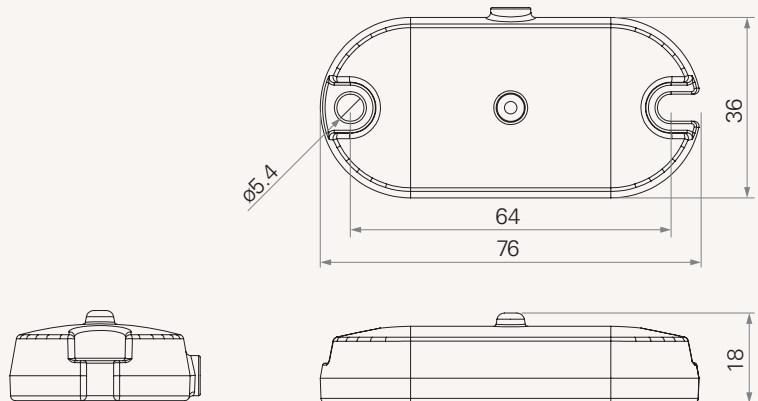
TiMOTION reserves the right to discontinue the sale of any products displayed on its website or listed in its catalogue or other written materials drawn up by TiMOTION.

## General Features

- Low power consumption 0.8W
- Comprised of 10 or 15pcs small LED
- 2 x M5 holes for installation

## Drawing

Standard Dimension



# TBL Ordering Key

TBL

Version: 20140526-D



**Plug**

- |   |   |
|---|---|
| 1 = Din 6pin, connect to motor                              | 4 = RJ 10pin 90°, connect to handset<br>(control box without MCU) |
| 2 = Din 8pin, connect to handset                            | A = Customized  |
| 3 = RJ 10pin 90°, connect to handset (control box with MCU) |   |



**Color**

- |           |                         |
|-----------|-------------------------|
| 1 = Black | 2 = Grey (Pantone 428C) |
|-----------|-------------------------|



**Brightness**

- |                     |                        |                   |
|---------------------|------------------------|-------------------|
| 1 = High (13200mcd) | 2 = Standard (8800mcd) | 3 = Low (4400mcd) |
|---------------------|------------------------|-------------------|



**Cable Length**

- |                      |                      |                      |                |
|----------------------|----------------------|----------------------|----------------|
| 1 = Straight, 1000mm | 3 = Straight, 1500mm | 5 = Straight, 2000mm | A = Customized |
| 2 = Straight, 1200mm | 4 = Straight, 1800mm | 6 = Straight, 2500mm |                |