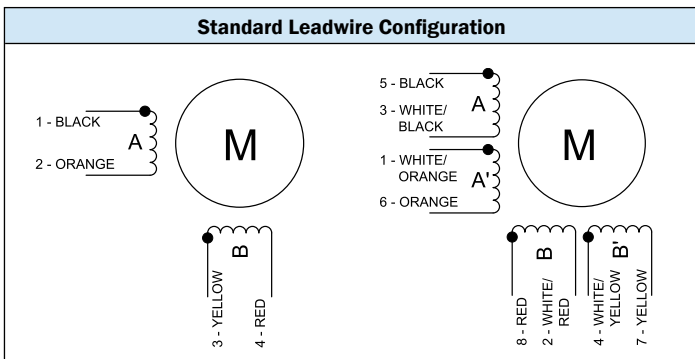
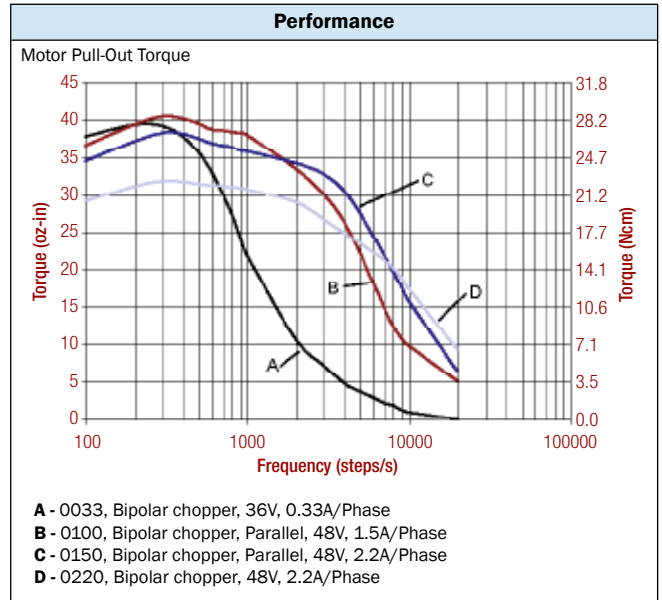


Specification	Units	HY 200 2215			
		0033	0100	0150	0220
Rated Phase Current	A	0.33	1.00	1.50	2.20
Phase Resistance	Ω	33.8	3.4	1.5	0.7
Phase Inductance	mH	54.6	3.8	1.5	1.2
Holding Torque Unipolar	oz-in	—	38	35	—
	Ncm	—	27	25	—
Holding Torque Bipolar	oz-in	45	48	47	44
	Ncm	32	34	33	31
Detent Torque	oz-in	4.8	4.8	4.8	4.8
	Ncm	3.4	3.4	3.4	3.4
Rotor Inertia	oz-in-s ² x10 ⁻⁴	7.9	7.9	7.9	7.9
	g-cm ²	56	56	56	56
Motor Weight (Mass)	lb	0.75	0.75	0.75	0.75
	kg	0.34	0.34	0.34	0.34
Maximum Voltage	V	75	75	75	75
Std. No. of Leads	—	4	8	8	4



- Standard Features**
- Step angle: 1.8°
 - Step angle accuracy: 5%
 - Insulation class: B (130 °C)
 - NEMA 23 mounting configuration
 - AlNiCo magnets
 - Additional windings and customization options available

- Complementary Products**
- Gearboxes
 - Encoders