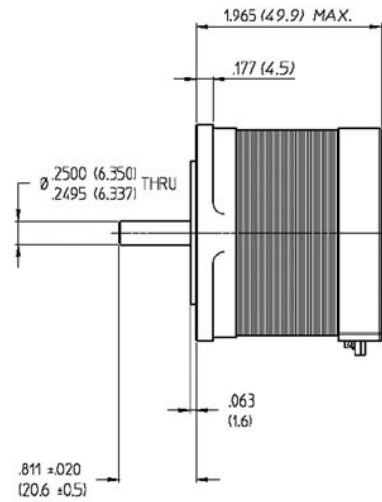
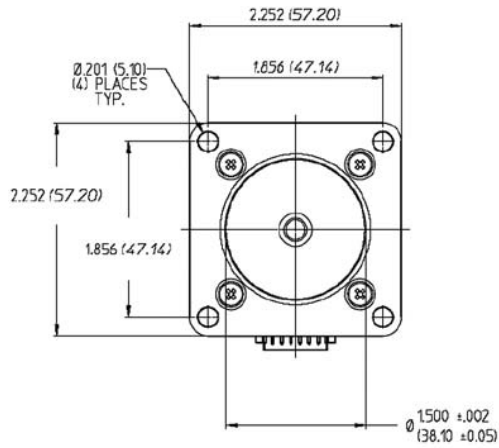
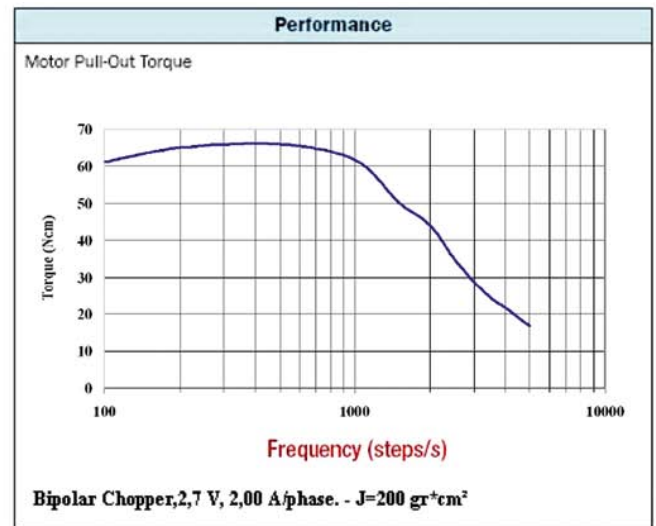


SIZE 23 HIGH PERFORMANCE STEPPER MOTOR DATA



Specification	Units	HT 200 2220
		0200
Rated Phase Current	A	2.00
Phase Resistance	Ω	1.20
Phase Inductance	mH	3.40
Holding Torque Bipolar	oz-in	113
	Ncm	80
Detent Torque	oz-in	8.5
	Ncm	6
Rotor Inertia	oz-in-s ² x10 ⁻⁴	18.7
	g-cm ²	132
Motor Weight (Mass)	lb	1.1
	kg	0.5
Maximum Voltage	V	75



- ### Standard Features
- Step angle: 1.8°
 - Step angle accuracy: 5%
 - Insulation class: B (130°C)
 - NEMA 23 mounting configuration
 - Additional windings and customization options available

