
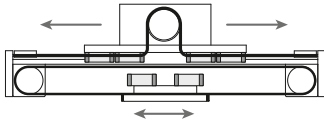
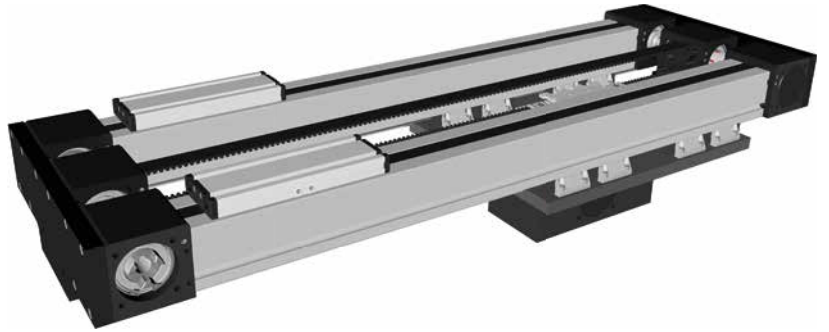


Linear system **QSZT 80, 100**

BELT DRIVE

 HORIZONTAL TELESCOPIC SYSTEM

 HIGH RIGIDITY



Function:

Linear unit consisting of two parallel QSZ axes. The carriage, which is connected to the runner blocks, is moved by means of a toothed belt. The belt tension can be easily readjusted via a tensioning device within the carriage. This device also helps to adjust the symmetry of the carriages. The system is driven by a central toothed belt with Omega deflection, and the special connection of the toothed belts results in a telescopic movement. The toothed pulley is equipped with maintenance-free ball bearings. The belt tension can be easily readjusted via a tensioning device on the bottom side. This linear system is designed for high loads.

7.1

Fitting position:

Preferably horizontal, Max. length 3.000 mm without joints.

Carriage mounting:

By T-slots.

Unit mounting:

By mounting sets.

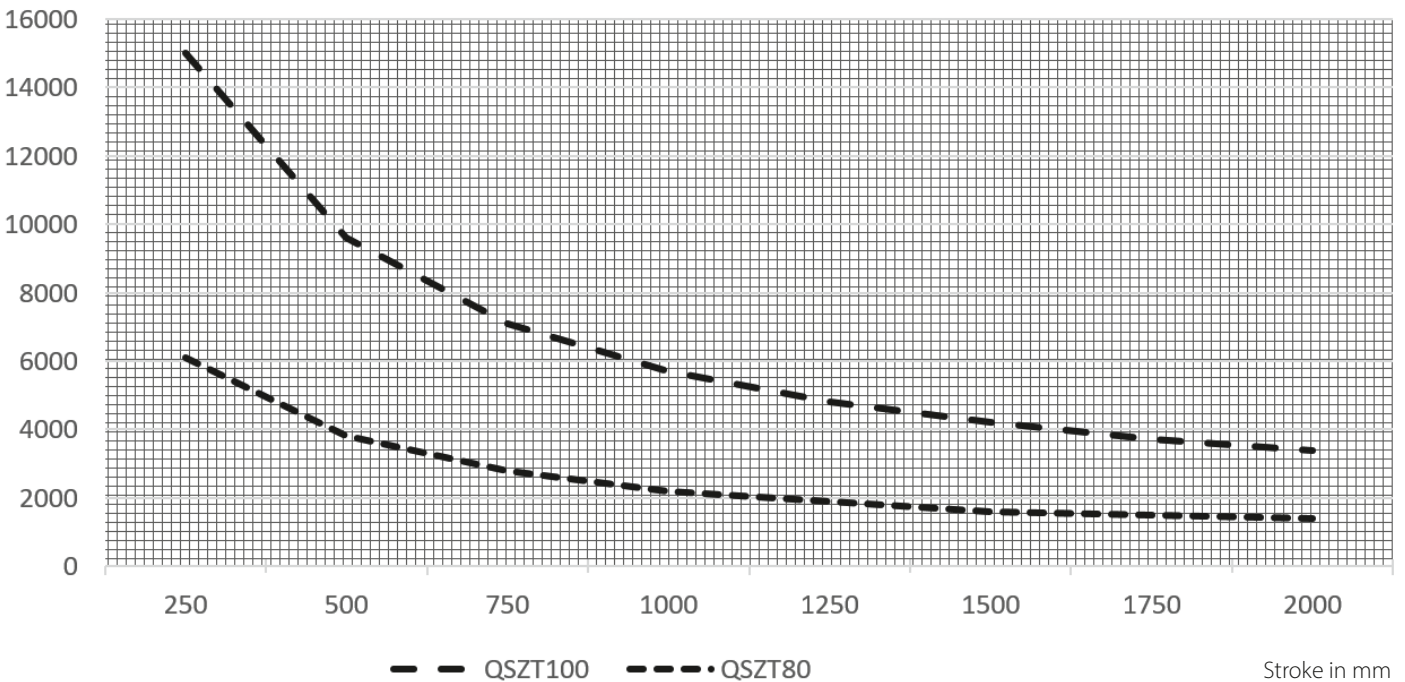
Belt performance:

HTD with steel reinforcement, no backlash when changing direction, repeatability $\pm 0,1$ mm.

Carriage support:

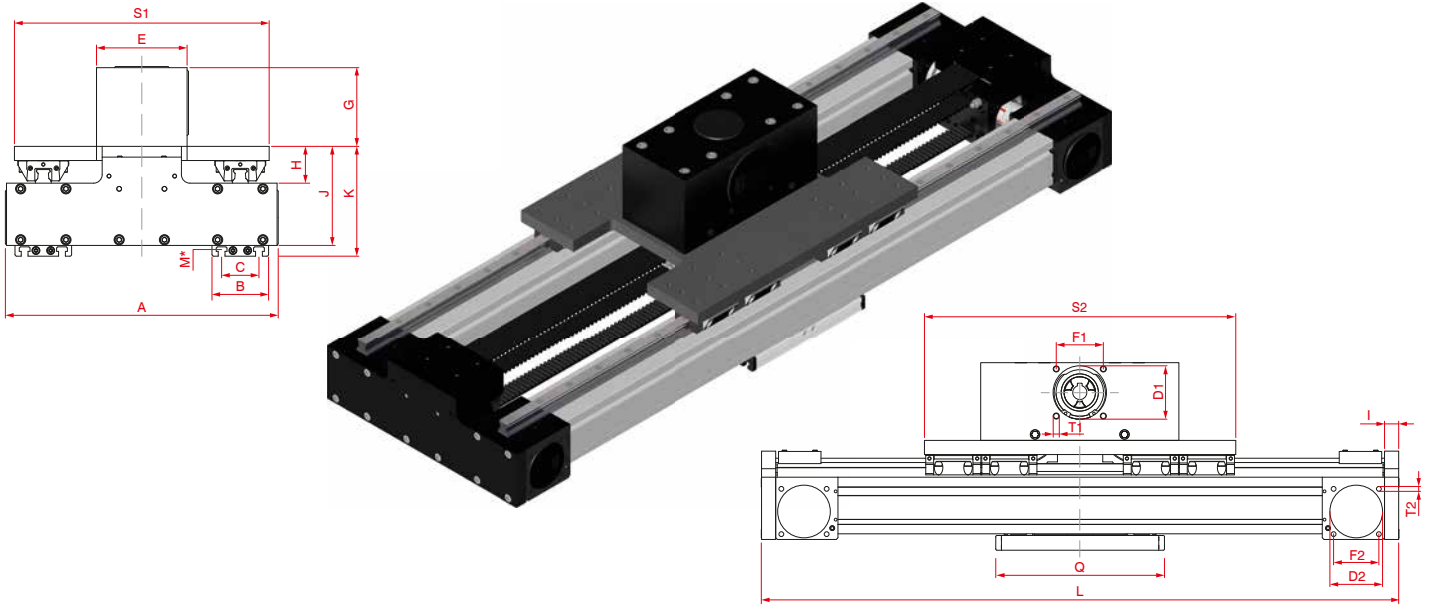
In the standard version, the carriage runs on voer runner blocks which can be adjusted and serviced at a central servicing position. For longer carriages the number of runner blocks can be increased.

Load in N



Linear system **QSZT 80, 100**

Dimensions (mm)



$V = Q + 100 \text{ mm}$ $W = \text{servicing position}$

*For slide nuts refer to chapter 2.2 page 2

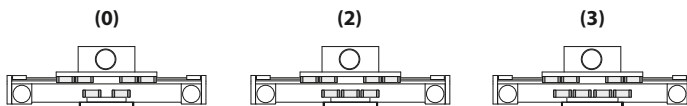
Increasing the carriage length will increase the basic length by the same amount.

Size	Basic length L	A	B	C	D1	D2	E	F1	F2	G	H	I	J	K	M for	P	Q	S1	S2	T1	T2	Basic weight	Weight per 100 mm
QSZT 80	500	388	80	50	90	68	130	80	60	130	54,5	20	147,5	160,5	M8	90	262	364	450	M10	M8	56 kg	2,4 kg
QSZT 100	600	478	100	66	110	90	160	100	80	139	65	25	175	194	M10	110	298	450	550	M10	M10	96 kg	4,1 kg

7.1

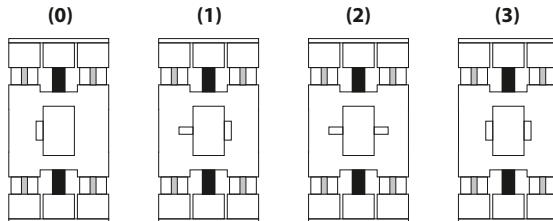
- 0** Choice of guide body profile:
 (0) Standard (1) corrosion-protected screws
 (4) expanded corrosion-protected version (depending on the availability of components)

0 Choice of carriages:



Size	Version 2		Version 3	
	Q	L	Q	L
80	356	580	504	730
100	392	700	508	790

0 Drive version:



Size	Shaft ϕ h6 x length	Key
80	22 x 45	6x6x40
100	30 x 55	8x7x40

Version 3 is the same as 0, but with double sided coupling claw.

Belt table / Coupling claw:

Code No.	Size	Belt	Pulley		Coupling
			mm/rev.	Number of teeth	
0 4	80	8M 30/50	256	32	24
0 7	100	8M 50/70	304	38	28

QSZT 80 4 0 0 2 0 7 1 1500 — Basic length + stroke = total length

Pos. 1 2 3 4 5 6 7

Sample ordering code:

QSZT 80 with standard body profile, carriage version 0, drive version 1, 1000 mm stroke

