

TBB7

series



Product Segments

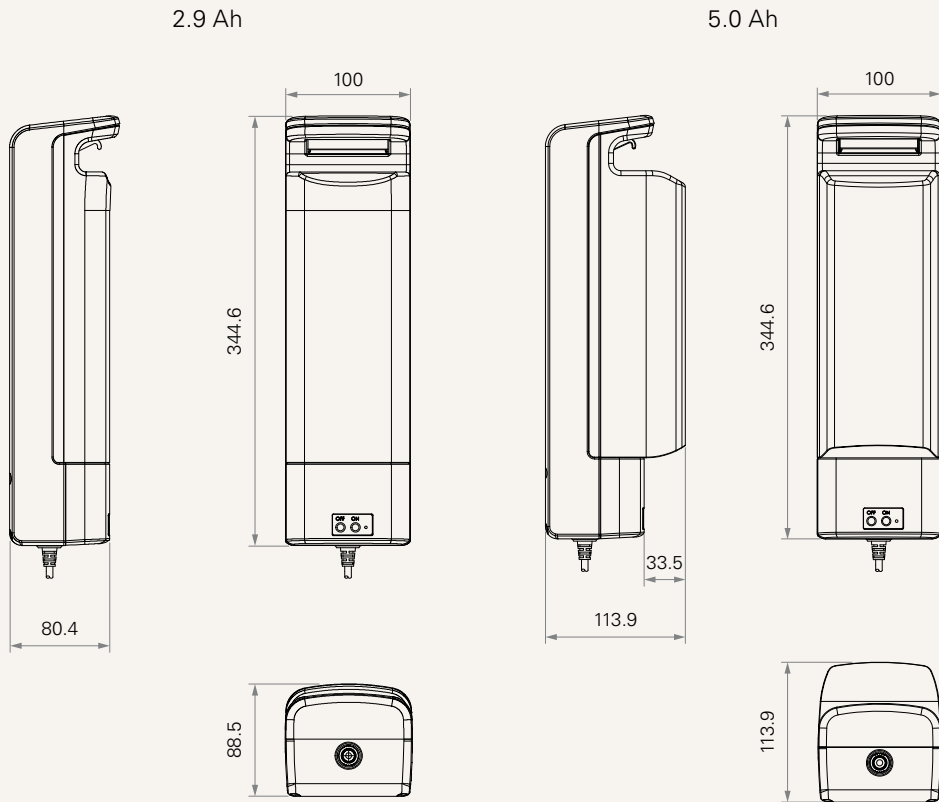
- **Care Motion**
- **Comfort Motion**

General Features

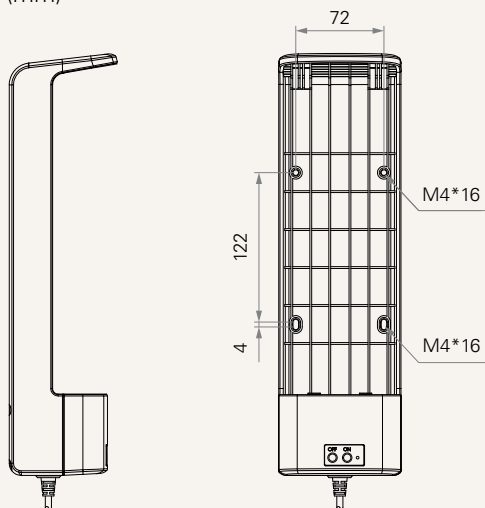
Battery type	Lead acid, Lithium
Capacity	2.9/5Ah (Lead acid); 2.5/4.5/10Ah (Lithium)
Discharging voltage	24V DC, 2.9/5A
Charging voltage	29~45V DC
Color	Grey
IP rating	IP66
Certificate	IEC60601-1, ES60601-1
Operational temperature range	+5°C~+45°C
LED indication (for charge/discharge status)	
With built-in buzzer	
Low standby power consumption	
Detachable battery pack, battery capacity indicator	

Drawing

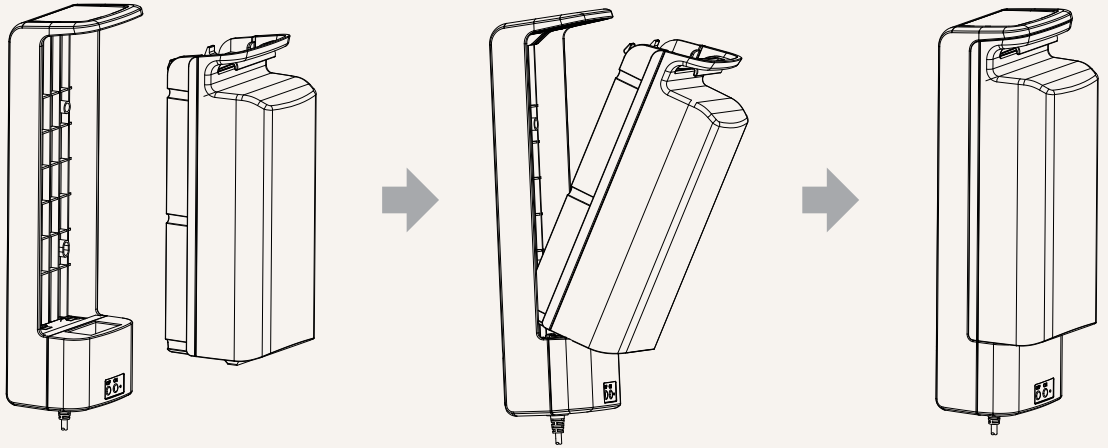
Standard Dimensions
(mm)



Dimensions with Base
(mm)



Battery Installation



Battery Capacity	0 = No battery cell (regard Lead-acid battery) 1 = 2.9Ah (Lead-acid battery) 2 = 5.0Ah (Lead-acid battery) 3 = 2.5Ah (lithium battery)	4 = 4.5Ah (lithium battery) 5 = 10Ah (lithium battery) 6 = No battery cell (regard lithium battery)	
Battery Capacity Indicator	1 = With	2 = Without	
Color	2 = Pantone 428C		
Cable Length (mm)	1 = Straight, 1000	2 = Straight, 2000	
Charging Port	1 = With	2 = Without	
On / Off Switch	1 = With		
Buzzer	0 = Without	1 = With	
IP Rating	1 = Without	2 = IP54	3 = IP66

Terms of Use

The user is responsible for determining the suitability of TiMOTION products for a specific application. TiMOTION products are subject to change without prior notice.