

TC11P

series



Product Segments

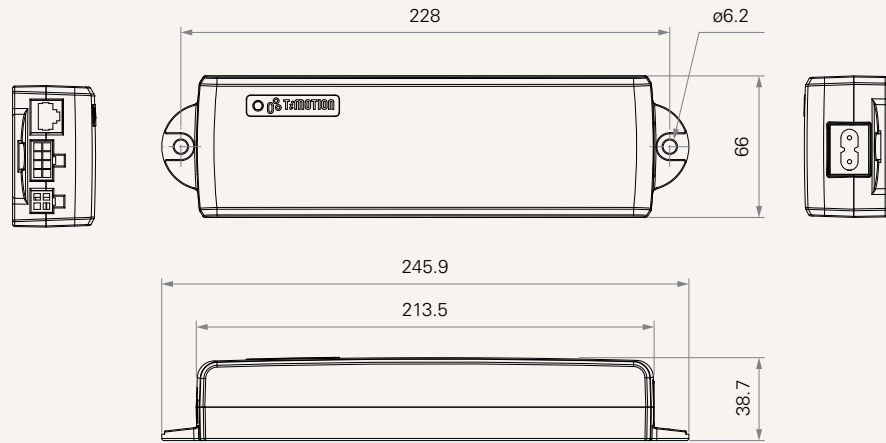
- **Comfort Motion**
- **Ergo Motion**

General Features

Number of motors	1
Max. output	32V DC, 6A
Back-up battery	External battery
Options	Supports t-touch built-in and charging accessory
Built-in transformer type	SMPS
Plug support	EU, USA, AUS, UK, or JPN
Certificate	UL508, PSE, SAA, EMC
Color	Black
Operational temperature range	+5°C~+45°C
0.1W standby power consumption	
Compact design for height adjustable desks	

Drawing

Standard Dimensions
(mm)



TC11P

Version: 20220309-D

Transformer	2 = SPM-72 (29V / 2.5A, 0.5W standby power, 100-240V) L = SPM-72Q (32V / 2.5A, 0.1W standby power, Quick start 100-240V)		
Plug	1 = EU 2 = US, SPT-2	3 = AU 4 = UK	5 = JP
Color	1 = Black		
Cable Length (mm)	1 = Straight, 1500	2 = Straight, 2000	3 = Straight, 4000
Control Board	2 = With MCU	4 = With MCU, with T-Touch	

Terms of Use

The user is responsible for determining the suitability of TiMOTION products for a specific application. TiMOTION products are subject to change without prior notice.