

# TC12AC

series



## Product Segments

### • Care Motion

The control box-TC12AC is an optimum solution to meet specific patient needs and to secure a safe and comfortable transfer as well as achieving a safe and efficient working environment for the caregivers. The TC12AC has AC cable which can connect supply mains directly.

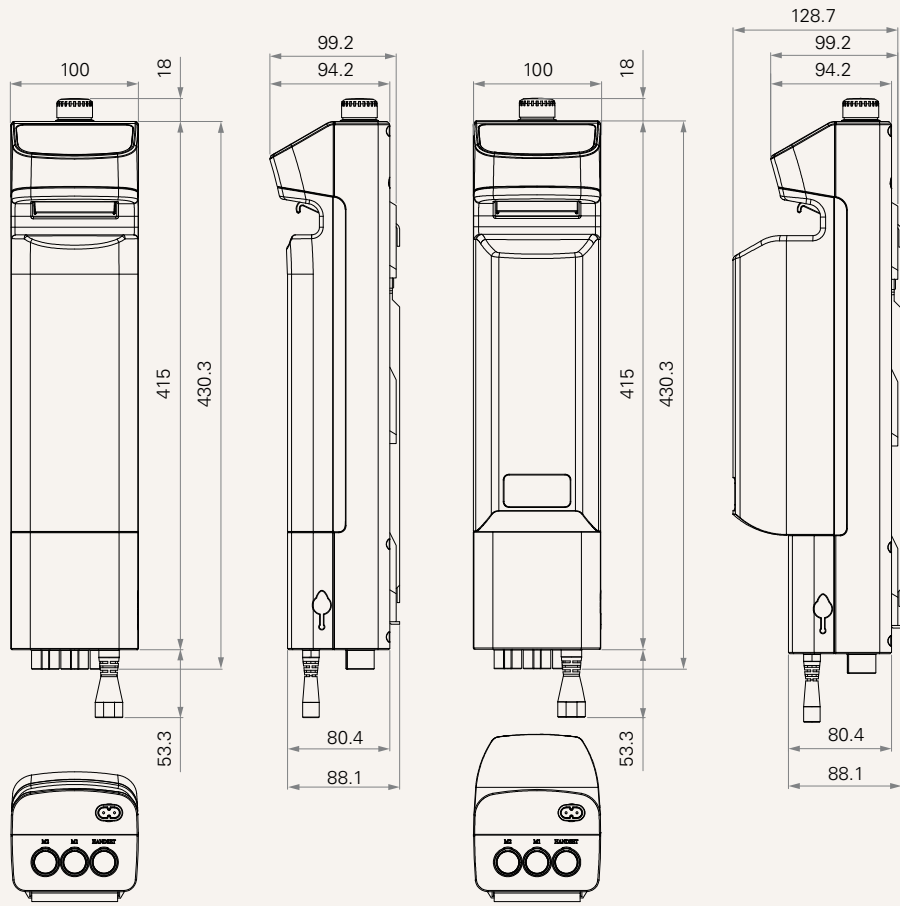
#### General Features

|  |                                      |
|--|--------------------------------------|
| Number of motors   | 1~3                                  |
| Max. output  | 24VDC, 10A                           |
| IP rating  | IP54                                 |
| Back-up battery  | Detachable battery pack: 2.9Ah / 5Ah |
| Options  | LCD display, LED power indicator     |
| Certificate  | IEC60601-1, ES60601-1, IEC60601-1-2  |
| Operational temperature range                            | +5°C~+45°C                           |
| Battery alarm when battery with lower capacity remaining |                                      |
| Emergency stop button                                    |                                      |
| Easy installation  |                                      |

# TC12AC Series

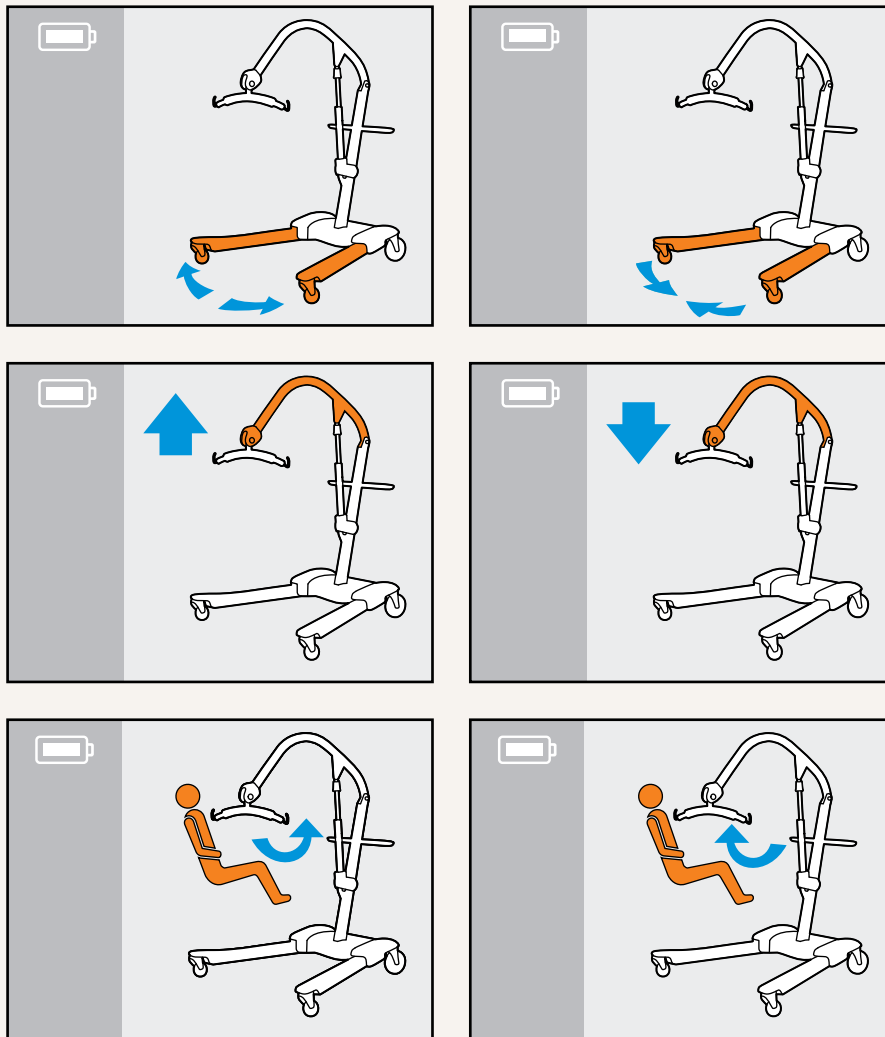
## Drawing

Standard Dimensions  
(mm)



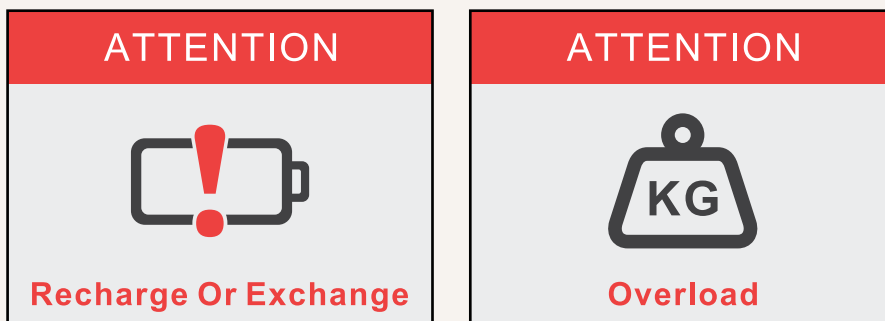
**Operation Status**

Control legs open / close and sling up / down

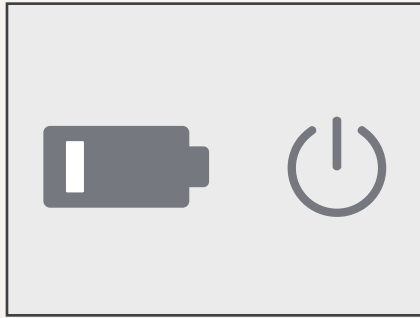
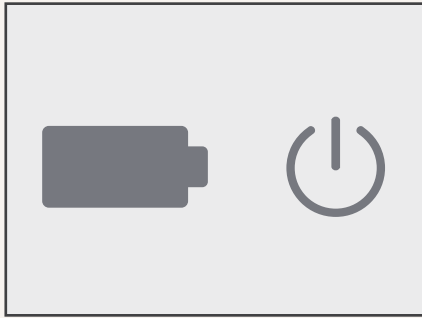


**Notification**

Alarm for low battery capacity, overloading, and safety switch to prevent over extending

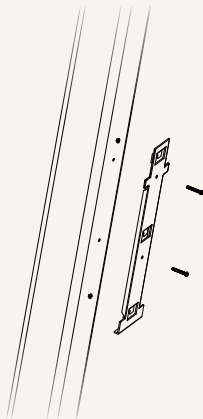


### Battery Status

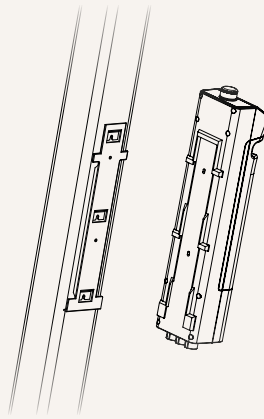


### Installation Guide

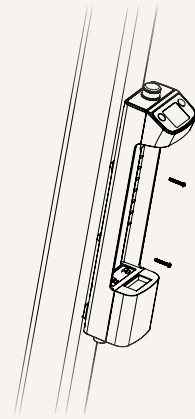
1. Install the bracket on the hoist frame



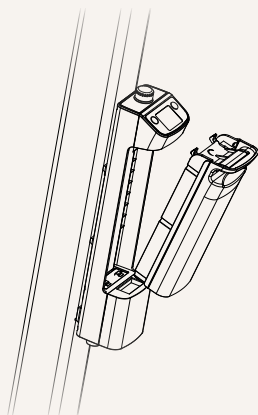
2. Install the TC12 on the bracket



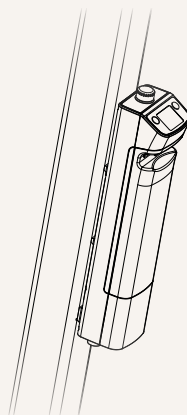
3. Make sure all fasteners are tightened properly



4. Install the battery



5. Installation is complete



# TC12AC Series

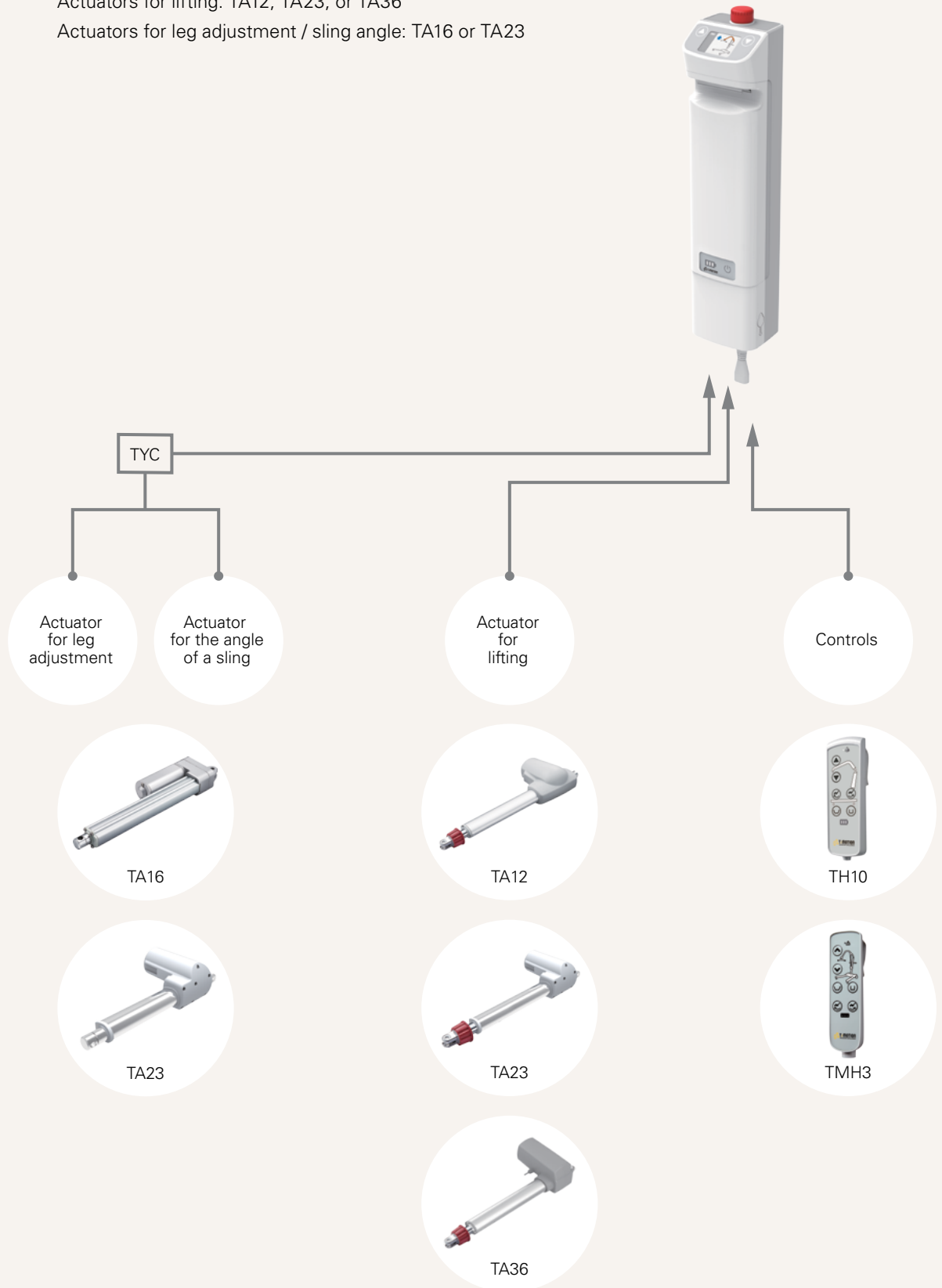
## System Overview

Control box: TC12AC

Control: TH10 or TMH3

Actuators for lifting: TA12, TA23, or TA36

Actuators for leg adjustment / sling angle: TA16 or TA23



## TC12AC

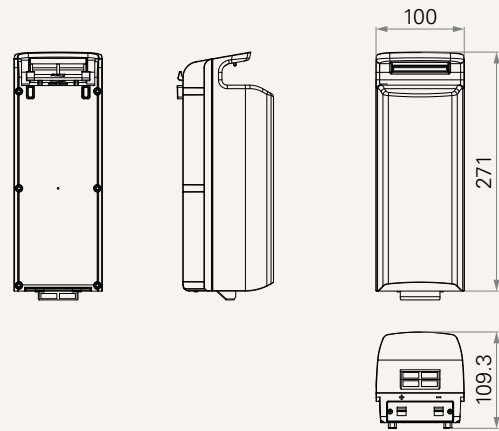
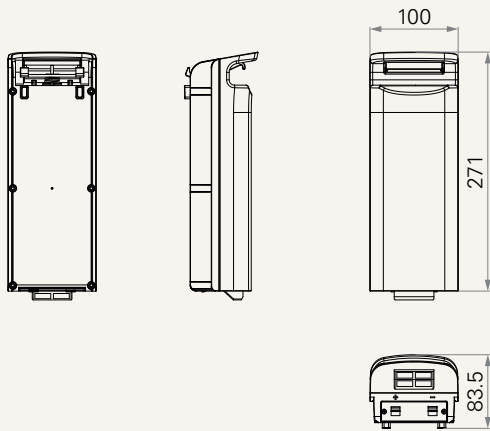
Version: 20210220-D

|   |  |  |                     |                                     |
|---|--|--|---------------------|-------------------------------------|
| <b>MCU</b>  | 1 = With   |  |                     |                                     |
| <b>Voltage</b>                                    | U = SMPS, 100-240V AC  |  |                     |                                     |
| <b>Battery Pack</b><br><a href="#">See page 7</a> | 0 = Without  | 3 = 24V DC / 2.9Ah + LED power indicator |                     |                                     |
|   | 1 = 24V DC / 2.9Ah   | 4 = 24V DC / 5.0Ah + LED power indicator |                     |                                     |
|   | 2 = 24V DC / 5.0Ah   |  |                     |                                     |
| <b>Number of Actuators</b>                        | 1 = 1  | 2 = 2                                    | 3 = 3               |                                     |
| <b>Color</b>                                      | 1 = Standard (Upper housing: light grey 1C; Lower Housing: cold grey 5C) |  |                     |                                     |
| <b>Digital Display</b>                            | 1 = Black / white  | 2 = Color display                        | 3 = Without display |                                     |
| <b>Buzzer</b>                                     | 0 = Without  | 1 = With                                 |                     |                                     |
| <b>Control Panel</b>                              | 0 = Without button   | 4 = 4 buttons                            |                     | 5 = 4 buttons + LED power indicator |
|   | 2 = 2 buttons  |  |                     |                                     |
|   | 3 = 2 buttons + LED power indicator                                      |  |                     |                                     |
| <b>IP Rating</b>                                  | 1 = Without  | 2 = IP54                                 |                     |                                     |
| <b>Grounding</b>                                  | 0 = Without  |  |                     |                                     |
| <b>AC Plug</b>                                    | 1 = EU   | 3 = AU                                   | 5 = JP              |                                     |
|   | 2 = US   | 4 = UK                                   |                     |                                     |
| <b>Angle of AC Plug</b>                           | 1 = 90°  | 2 = 180°                                 |                     |                                     |
| <b>AC Cable Length (mm)</b>                       | 0 = Without  | 1 = Straight, 1000                       | 2 = Straight, 2000  | 3 = Straight, 3000                  |
| <b>AC Cable Manager</b>                           | 0 = Without  |  |                     |                                     |

## Battery Pack

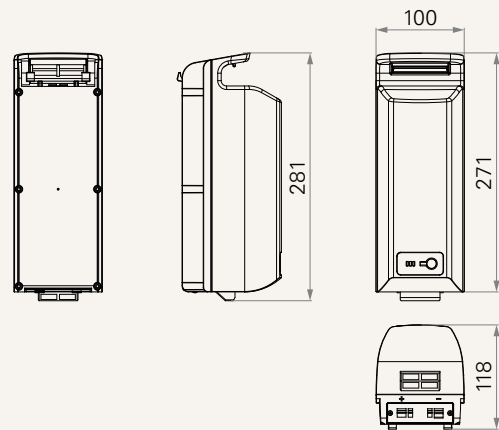
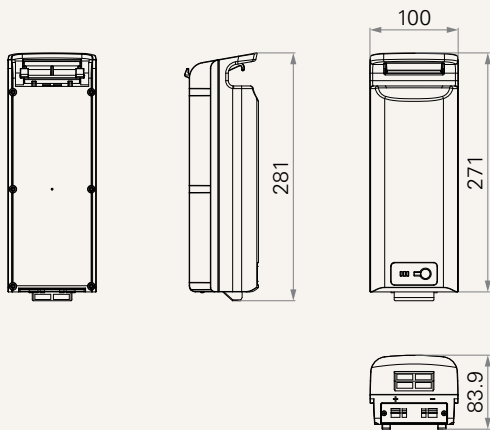
1 = 24V DC / 2.9Ah

2 = 24V DC / 5.0Ah



3 = 24V DC / 2.9Ah + LED power indicator

4 = 24V DC / 5.0Ah + LED power indicator



## Terms of Use

The user is responsible for determining the suitability of TiMOTION products for a specific application. TiMOTION products are subject to change without prior notice.