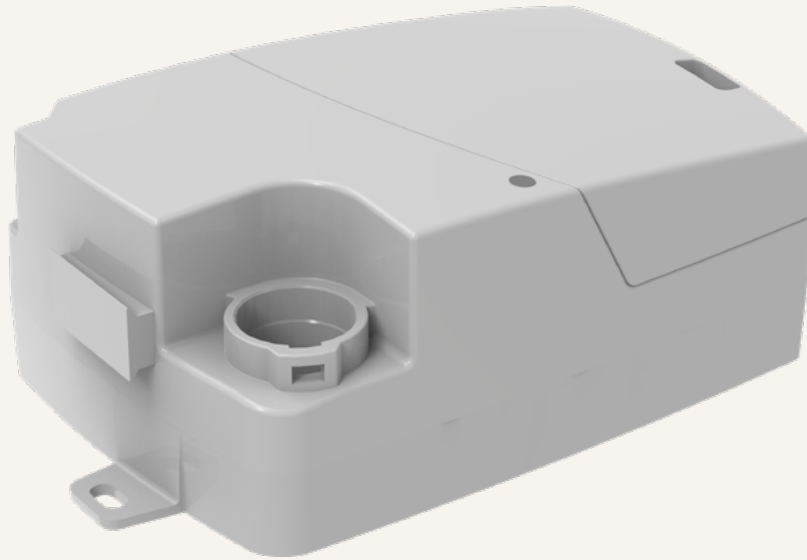


TC26

series



Product Segments

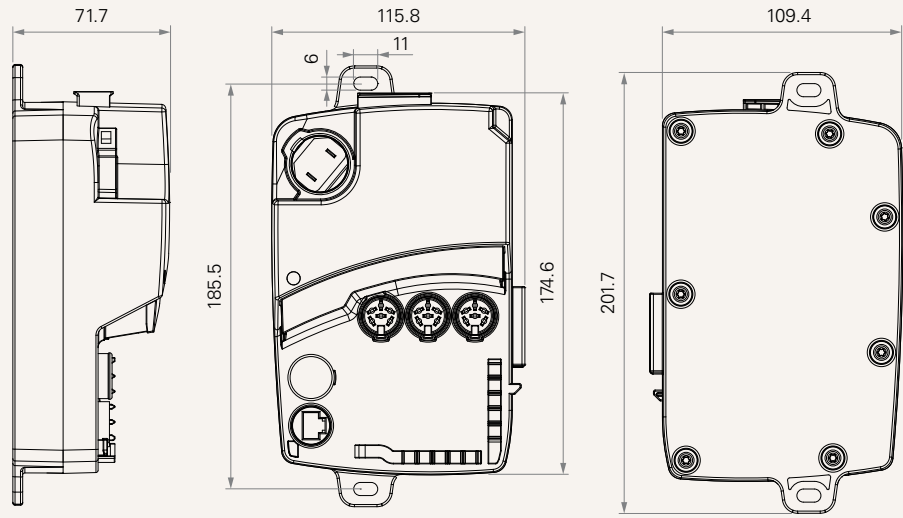
- **Care Motion**

General Features

Number of motors	1~3
Number of controls	1
Max. output	32V DC, 6A
IP rating	IP66
Back-up battery	External battery
Options	Supports cord buckle and buzzer
Input voltage	100, 110, 120V AC, 220~240V AC, or 100~240V AC (SMPS)
Built-in transformer type	EI, SMPS
Plug support	EU, USA, AUS, UK, or JPN
Color	Grey
Operational temperature range	+5°C~+45°C

Drawing

Standard Dimensions
(mm)



Input Voltage	1 = 100VAC 2 = 110VAC	3 = 220~240VAC 4 = 120VAC	5 = 100~240VAC (SMPS)
Transformer	9 = EI (3A)	T = SPM-72MC	
MCU	0 = Without	1 = With	
Number of Actuators	1 = 1	2 = 2	3 = 3
Number of Controls	1 = 1		
Channel for TBB	0 = Without	1 = With	
Grounding	0 = Without	3 = On AC cable	
AC Plug	1 = EU 2 = US	3 = AU 4 = UK	5 = JP
AC Plug Angle	1 = 90°	2 = 180°	
AC Female Plug Angle	1 = 90°		
AC Cable Length (mm)	3 = Straight, 2000	4 = Straight, 4000	
Cord Buckle	0 = Without	1 = With	
Buzzer	0 = Without	1 = With	
Color	2 = Pantone 428C		
Fixation	1 = On the bed frame	7 = On the actuator (TA23)	8 = On the actuator (TA31)
IP Rating	0 = Without	1 = IP54	2 = IP66

Terms of Use

The user is responsible for determining the suitability of TiMOTION products for a specific application. TiMOTION products are subject to change without prior notice.