

TDH17

series



Product Segments

- **Ergo Motion**

General Features

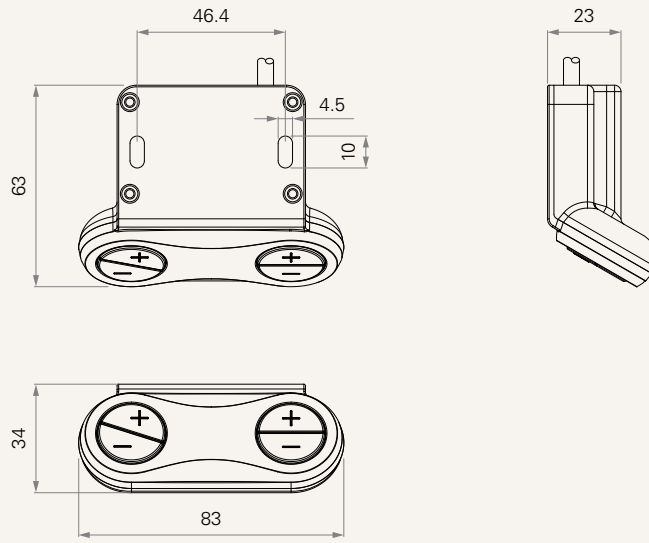
Number of motors	2 sets of motor control: lifting columns*2, tilt motor for tabletop*2
Max. available buttons	4
Display	Available
Operational temperature range	+5°C~+45°C
Novel control for height-adjustable desks	
Compatible with the TWD1 (Bluetooth adapter)*	
Front mounted desk installation	

Note

¹ With TWD1, it can control the desk height remotely via the "STAND UP PLS" app.

Drawing

Standard Dimensions
(mm)



Connector	1 = RJ 10P, 180° 6 = RJ 10P flat, 180°, for Ergo TC	7 = RJ 10P flat, 90°, for TC22
Case Color	1 = Black	
Button Color	2 = Black	
Icon on The Button	1 = S1: +, S2: -, S3: +, S4: -	
Logo (Print) See page 4	1 = Without	2 = TiMOTION
LED Display See page 4	0 = Without	1 = With, white
Unit	0 = Without	1 = Metric system (cm) 2 = Imperial system (inch)
Cable Length (mm)	1 = Straight, 1000	2 = Straight, 2000
Anti-Pulling Tube	0 = Without	1 = With

LED & Logo

Without LED



With LED



Terms of Use

The user is responsible for determining the suitability of TiMOTION products for a specific application. TiMOTION products are subject to change without prior notice.