

TEK12 series

Meeting Table Desk Frame

General Features

Max. load	120kg or 150kg*
Constant speed	3-Stage Column: 40mm/s; 2-Stage Column: 33mm/s
Weight of package	61.3kg*
Standby power	<0.1W
Accessories	USB Chargers (TFA1/TFA3), Anti-Collision Sensor (TCS1), Wireless Chargers (TWC)

Multiple column and control options

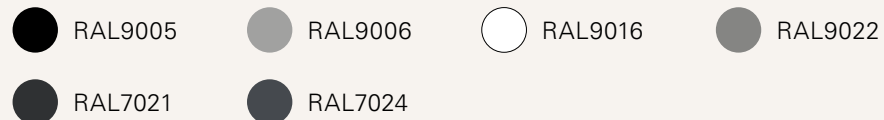
High strength and stability -Steel construction

Modular design – Easily change the TEK01 rectangular desk frame into the three leg conference table configuration

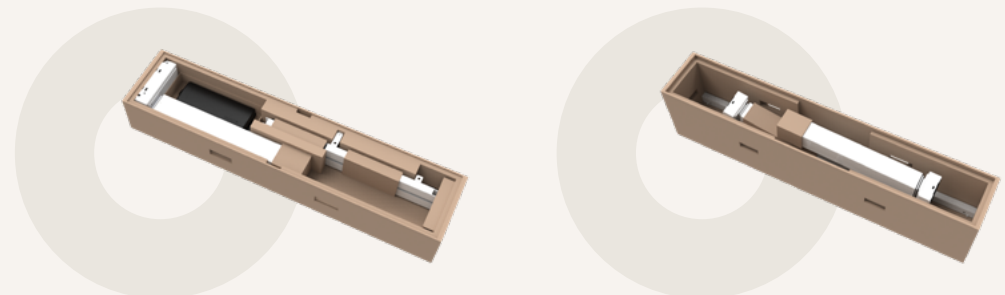
*It varies upon the selection of components.



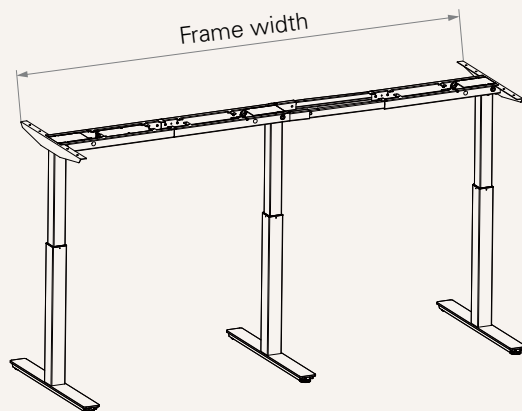
Color (RAL Classic)



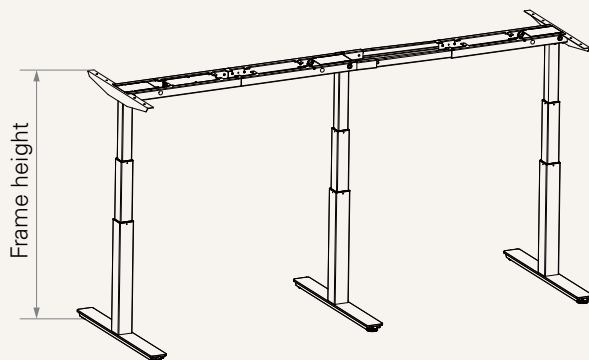
*For more color options, please consult your sales representative.



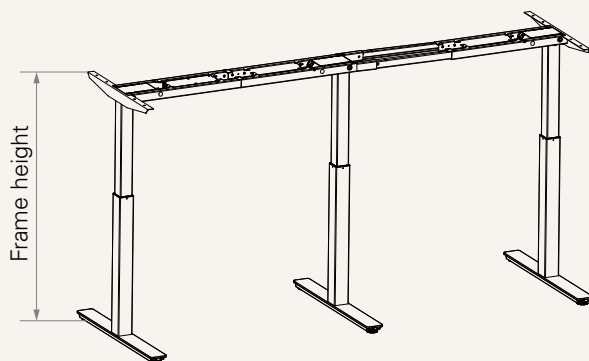
Dimension



- 3-Stage



- 2-Stage



Frame & Work Surface

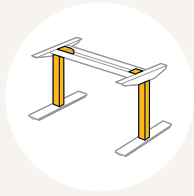
Frame dimensions (mm)	Recommended work surface dimensions (mm)	
Width (mm)	Width (mm)	Depth (mm)
2260~3640	2300~3500	700~1000

Hight Range

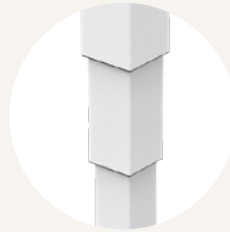
Column type	Frame height (mm)	Stroke (mm)
3-Stage	630~1280	650
3-Stage (M)	600~1260	660
3-Stage (S)	560~1220	660
2-Stage	680~1180	500

TL Model

• 3-Stage



TL4
Square
70 x 70 mm



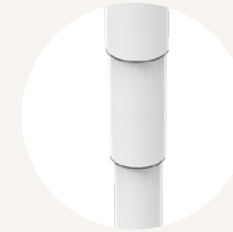
TL7
Square
70 x 70 mm



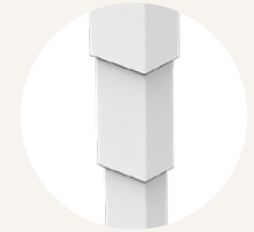
TL9
Round
ø70 mm



TL10
Rectangular
80 x 60 mm



TL11
Round
ø70 mm



TL12
Rectangular
80 x 60 mm

• 2-Stage



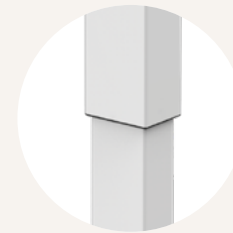
TL13
Square
70 x 70 mm



TL14
Round
ø70 mm



TL15
Rectangular
80 x 60 mm



TL26
Rectangular
80 x 60 mm



TL28
Square
70 x 70 mm

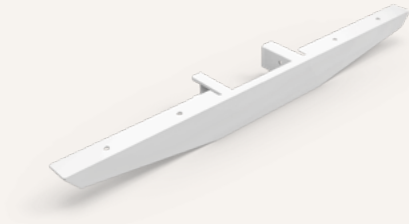


TL29
Round
ø70 mm

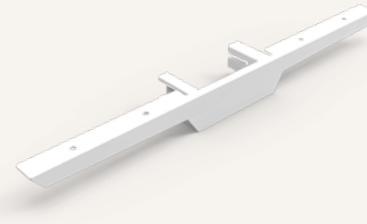
End Pipe



Style A
(for fixed tabletop)



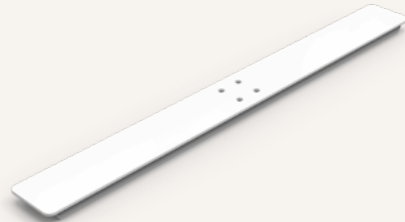
Style B
(for fixed tabletop)



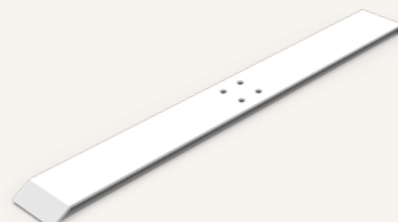
Foot



Style A



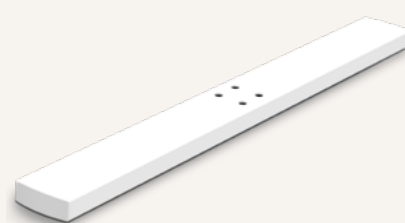
Style B



Style C



Style D



Foot (mm)



Code	Style	Thickness	Length (mm)
0	Without	N/A	N/A
1	A	8	750
2	A	5	750
3	B	5	750
4	B	8	750
6	C	Aluminum extrusion	750
7	D	Tube	750
8	A	5	550
9	A	5	680
C	A	8	550
D	C	Aluminum extrusion	550
F	B	5	550
G	B	5	680
H	B	8	550
L	D	Tube	550
M	A	5	600
N	A	8	680
P	C	Aluminum extrusion	600

Hand Control



1 = TH37



2 = TFH8



3 = TDH1



4 = TDH2



5 = TDH3



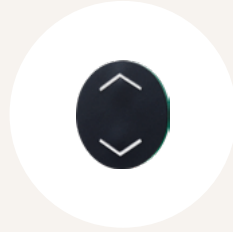
6 = TDH4



7 = TDH5



8 = TDH6



9 = TFH13



B = TH14



C = TFH21



D = TDH8P



E = TDH8



F = TDH8D



G = TDH11P



H = TDH12P



K = TDH16



L = TDH6PR



M = TDH5PR



N = TDH13P



P = TDH15



Q = TDH18P



R = TDH17

Accessories (optional)



TCS1

TCS1 is a collision sensor based on t-touch technology which does not require any additional hardware upgrades.



TFA1

A charger with 2 USB ports. Can be mounted on the table top.



TFA3

A charger with 2 USB ports. Can be mounted to the desk front side.



TWC

Designed for wireless charging of mobile devices. Can be mounted on the table top.

TEK12 Ordering Key

TEK12

Version: 20190529-B

TL Model	004 = TL4	009 = TL9	011 = TL11	013 = TL13	015 = TL15	028 = TL28
See page 3	007 = TL7	010 = TL10	012 = TL12	014 = TL14	026 = TL26	029 = TL29

Foot (mm) [See page 4-5](#)

Color	1 = Black (RAL 9005)	3 = White (RAL 9016)	6 = Matte Black (RAL7021)
	2 = Grey (RAL 9006)	4 = Special grey (RAL 9022)	7 = Graphite grey (RAL7024)

TC Model	0 = Without	1 = TC16	2 = TC16P
-----------------	-------------	----------	-----------

Hand Control [See page 6](#)

End Pipe (mm)	1 = Style A, fixation holes, E1 & E2: 600, Standard	4 = Style B, fixation holes, E1 & E2: 500
See page 4	2 = Style A, fixation holes, E1 & E2: 500	5 = Style A, fixation holes, E1&E2: 550
	3 = Style B, fixation holes, E1 & E2: 600	

Desk Frame (mm)	1 = With Normal desk frame, W: 2260-3460
------------------------	--

Assembly Manual	0 = Without	3 = Chinese, No logo, Black/White printing
	C = Chinese, TiMOTION logo, Black/White printing	4 = English, No logo, Black/White printing
	E = English, TiMOTION logo, Black/White printing	5 = Chinese, No logo, colour printing
	1 = Chinese, TiMOTION logo, colour printing	6 = English, No logo, colour printing
	2 = English, TiMOTION logo, colour printing	

MP-TEK12 Ordering Key

MP-TEK12

Version: 20190529-B

TL Model	004 = TL4	009 = TL9	011 = TL11	013 = TL13	015 = TL15	028 = TL28
See page 3	007 = TL7	010 = TL10	012 = TL12	014 = TL14	026 = TL26	029 = TL29

Foot F2 (mm) [See page 4-5](#)

Color	1 = Black (RAL 9005)	3 = White (RAL 9016)	6 = Matte Black (RAL7021)
	2 = Grey (RAL 9006)	4 = Special grey (RAL 9022)	7 = Graphite grey (RAL7024)

TC Model	0 = Without	1 = TC16	2 = TC16P
-----------------	-------------	----------	-----------

Hand Control [See page 6](#)

Desk Frame (mm) 1 = With Normal desk frame, W: 2260-3460

Assembly Manual	0 = Without	3 = Chinese, No logo, Black/White printing
	C = Chinese, TiMOTION logo, Black/White printing	4 = English, No logo, Black/White printing
	E = English, TiMOTION logo, Black/White printing	5 = Chinese, No logo, colour printing
	1 = Chinese, TiMOTION logo, colour printing	6 = English, No logo, colour printing
	2 = English, TiMOTION logo, colour printing	

Terms of Use

The user is responsible for determining the suitability of TiMOTION products for a specific application. TiMOTION products are subject to change without prior notice.