

TEK30 series

Executive Four Leg Desk Frame

General Features

Max. load	100kg
Constant speed	33mm/s
Weight of package	Box 1 (U-Shaped Leg Assembly): 29kg Box 2 (Crossbar): 15kg
Standby power	< 0.1W
Accessories	USB Chargers (TFA1/TFA3), Anti-Collision Sensor (TCS1), Wireless Chargers (TWC)

Perfect option for a manager or executive desk

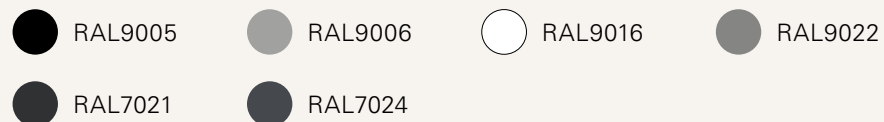
Adaptable for various environments, including offices, reception areas, workshops, and dining rooms

High strength and stability; easy in assembly

*Optional cable tray for under table management.



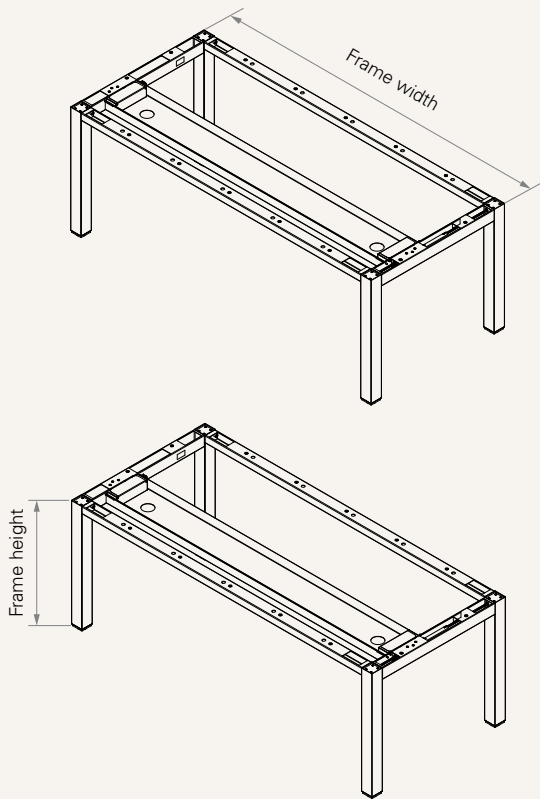
Color (RAL Classic)



*For more color options, please consult your sales representative.



Dimension



Frame & Work Surface

Frame dimensions (mm)		Recommended work surface dimensions (mm)	
Width (mm)	Depth (mm)	Width (mm)	Depth (mm)
1800 / 1500	800	1800	800

Hight Range

Column type	Frame height (mm)	Stroke (mm)
2-Stage	655~1155	500

Cable Tray

Without



With



Hand Control



1 = TH37



2 = TFH8



3 = TDH1



4 = TDH2



5 = TDH3



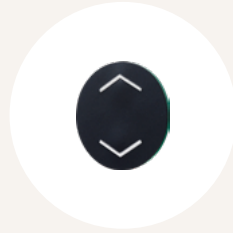
6 = TDH4



7 = TDH5



8 = TDH6



9 = TFH13



B = TH14



C = TFH21



D = TDH8P



E = TDH8



F = TDH8D



G = TDH11P



H = TDH12P



K = TDH16



L = TDH6PR



M = TDH5PR



N = TDH13P



P = TDH15



Q = TDH18P



R = TDH17



S = TDH20P

Hand Control



T = TDH9P



U = TDH27P



V = TDH24P



Z = TFH22

Accessories (optional)



TCS1

TCS1 is a collision sensor based on t-touch technology which does not require any additional hardware upgrades.



TFA1

A charger with 2 USB ports. Can be mounted on the table top.



TFA3

A charger with 2 USB ports. Can be mounted to the desk front side.



TWC

Designed for wireless charging of mobile devices. Can be mounted on the table top.

Load and Speed	B = Load: 100Kg, Speed: 0-100Kg 33mm/s			
Stroke & Retracted Length (mm)	500 = Stroke: 500 655 = Retracted length: 655			
Color	1 = Black (RAL 9005), wiper: black 2 = Grey (RAL 9006), wiper: black 3 = White (RAL 9016), wiper: black	4 = Special grey (RAL 9022), wiper: black 6 = Grey (RAL 9006), wiper: grey 7 = White (RAL 9016), wiper: white	8 = Special grey (RAL 9022), wiper: grey B = Matte black (RAL 7021), wiper: black C = Graphite grey (RAL 7024), wiper: black	D = Matte black (RAL 7021), wiper: matte Black
TC Model	1 = TC15P	2 = TC15S		
Hand Control	See page 4-5			
Desk Frame (mm)	1 = Fixed frame L:1800 W:800	2 = Fixed frame L:1500 W:800		
Cable Tray See page 3	0 = Without	1 = With, standard		
Assembly Manual	0 = Without C = Chinese, TiMOTION logo, Black / White printing E = English, TiMOTION logo, Black / White printing 1 = Chinese, TiMOTION logo, colour printing 2 = English, TiMOTION logo, colour printing	3 = Chinese, No logo, Black / White printing 4 = English, No logo, Black / White printing 5 = Chinese, No logo, colour printing 6 = English, No logo, colour printing		

Terms of Use

The user is responsible for determining the suitability of TiMOTION products for a specific application. TiMOTION products are subject to change without prior notice.