

TFA3

series



Product Segments

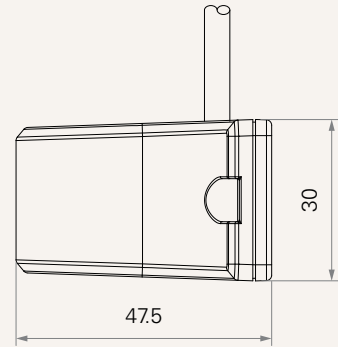
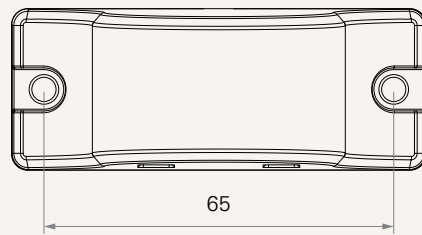
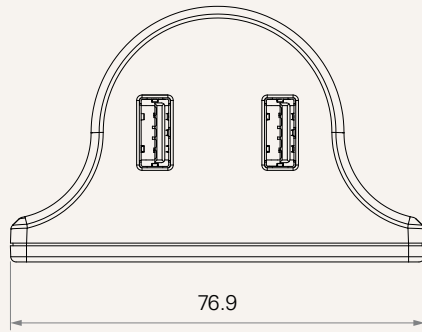
- **Comfort Motion**

General Features

A charger with 2 USB ports
Specially designed for desk
Can be mounted to the desk front side

Drawing

Standard Dimensions
(mm)



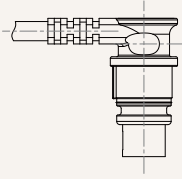
TFA3

Version: 20171015-C

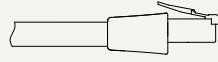
| | | | |
|--|----------------------|---|-----------------------|
| Socket of Charging | 1 = 2 USB sockets | | |
| Connector See page 4 | 1 = DIN 4P, 90° plug | 6 = Flat RJ 10P, 180° plug | 7 = Y cable, for Ergo |
| Cable Length (mm) | 2 = Straight, 1500 | 3 = Y cable, for Ergo (L1: 100, L2: 300, L3: 100) See page 4 | |
| Color | 1 = Black | | |
| TC Type | 1 = Ergo TC | 2 = TC with TBB socket | |

Connector

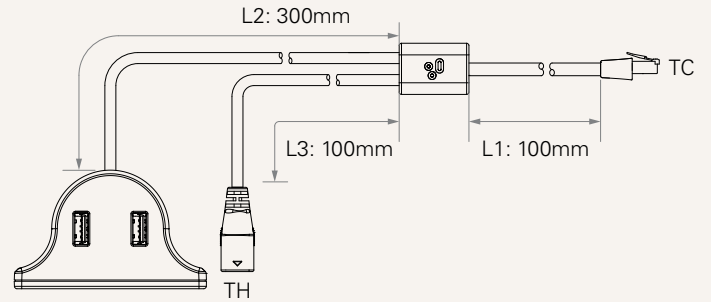
1 = DIN 4P, 90° plug



6 = Flat RJ 10P, 180° plug



7 = Y cable, for Ergo



Terms of Use

The user is responsible for determining the suitability of TiMOTION products for a specific application. TiMOTION products are subject to change without prior notice.