

TFH21

series



Product Segments

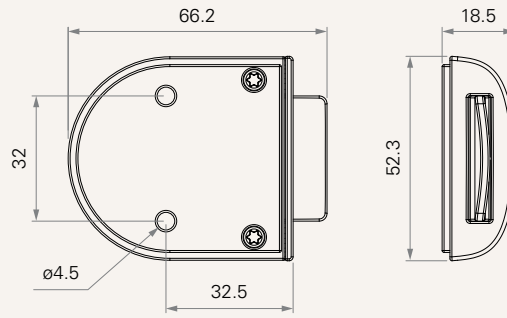
- **Ergo Motion**

General Features

Max. available buttons	1
Options	Anti-pulling tube
Operational temperature range	+5°C~+45°C
Simple control for height-adjustable desks	
Toggle switch design	
Mounted to the desk front side	

Drawing

Standard Dimensions
(mm)



MCU	0 = Without	
Control Box Type	0 = Without MCU	1 = With MCU
Button Definition	1 = Standard ↑ ↓	K = Electric quick release (Triple-brush motor)
Connector	2 = Short DIN 5P, 90° 3 = Long DIN 5P, 180°	6 = RJ 10P flat, 180°, for Ergo TC 7 = RJ 10P flat, 90°, for TC22
Cable Length (mm)	1 = Straight, 1000	3 = Straight, 2000
Color	1 = Black	
IP Rating	1 = Without	
Anti-Pulling Tube	0 = Without	1 = With

Terms of Use

The user is responsible for determining the suitability of TiMOTION products for a specific application. TiMOTION products are subject to change without prior notice.