

# TFH35

series



## Product Segments

- **Comfort Motion**

The TFH35 is an outstanding home furniture hand control for recliners and other comfort motion applications. It is compatible with a direct cut system, eliminating the need for a control box to offer a simple and economical hand control solution.

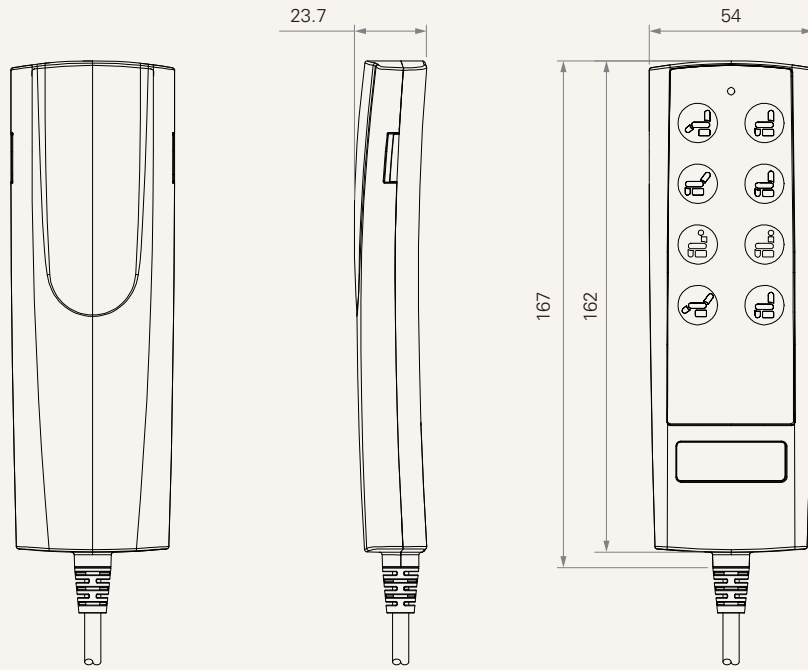
### General Features

Number of motors	1~3
Max. available buttons	8
Color	Upper housing black, lower housing black
Direct cut support	Available
Operational temperature range	+5°C~+45°C

# TFH35 Series

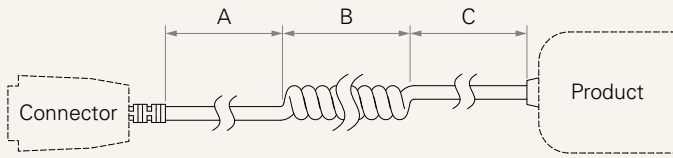
## Drawing

Standard Dimensions  
(mm)



<b>MCU</b>	0 = Without		
<b>Communication Type</b>	1 = Direct Cut		
<b>Number of Actuator</b>	1 = 1	2 = 2	3 = 3
<b>Button Definition</b>	See appendix* Note: please contact TiMOTION before making an order		
<b>Plug</b>	9 = DIN 8P		
<b>Plug Angle</b>	1 = 90°	2 = 180°	
<b>Cable Length (mm)</b>	<a href="#">See page 4</a>		
<b>Color</b>	6 = Upper housing black, lower housing black		
<b>Hook</b>	0 = Without	1 = Standard	4 = Magnetic
<b>IP Rating</b>	0 = Without		
<b>Indicator LED</b>	1 = With		

## Cable Length



### Cable Section (mm)

CODE	A	B	C
1	1000	0	0
2	1500	0	0
3	2000	0	0
4	4000	0	0
5	1000	300	200
6	1200	300	300
7	1000	200	200

## Terms of Use

The user is responsible for determining the suitability of TiMOTION products for a specific application. TiMOTION products are subject to change without prior notice.