

# TID1

## series



### Product Segments

- **Industrial Motion**

TID1 is a specially designed 2-channel driver (control box) used in a wide range of industrial applications. With an efficient H-Bridge design, the TID1 delivers a current output of up to 20A per channel to drive the actuator(s). While it can work with most TiMOTION industrial actuators, the versatile TID1 is suitable for a diverse array of applications.

The TID1's housing is IP69K rated and constructed with UV-resistant materials. With built-in thermal sensors to prevent overheating, the TID1 is built to withstand the harshest of elements. Its waterproof connector also makes cable management easier without sacrificing water resistance.

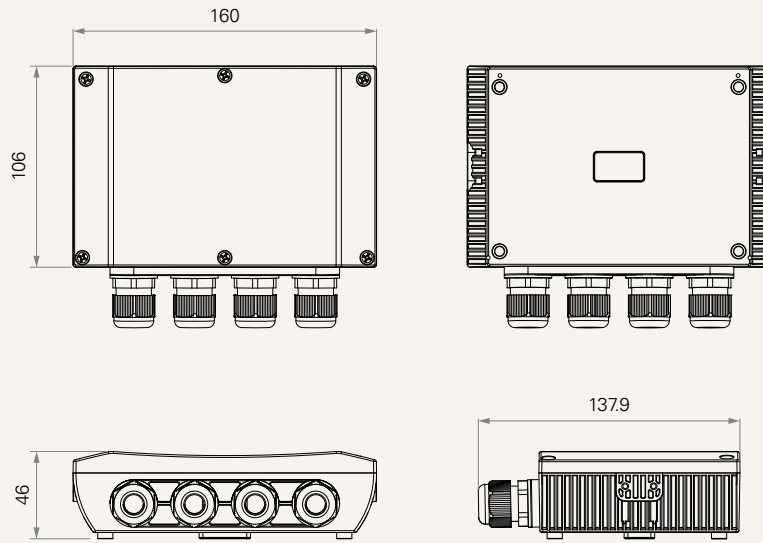
TID1 can be controlled by various types of wired and wireless controllers and PLC using BUS protocol. Through PGTID, the software programmer designed for TID1, it is easy to set up the related parameters.

#### General Features

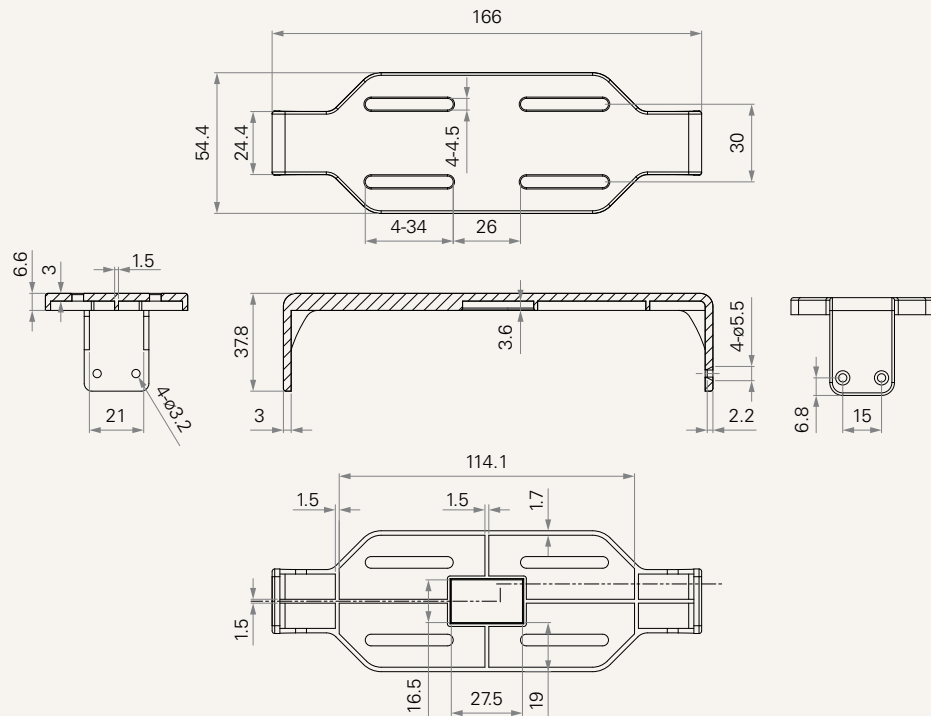
Number of motors	1~2
Number of controls	1
Max. output	12V DC, 20A 24V DC, 10A
IP rating	IP69K
Input Voltage	12V DC, 24V DC
Color	Black
Operational temperature range	-40°C~+85°C

**Drawing**

Standard Dimensions  
(mm)



Mounting Bracket  
(mm)



<b>Version</b>	T = Standard	G = Light	F = Lifter	N = Analog
<b>Rated Voltage</b>	S = 12 / 24V DC (Dedicated option for Standard version, rated voltage can be adjusted through PGTID)		1 = 12V DC	2 = 24V DC
<b>No. of Actuator</b>	1 = 1 actuator	2 = 2 actuators		
<b>Type of Actuator Port</b>	1 = Standard			
<b>Type of Controller Port</b>	1 = Standard			
<b>Built-in Wireless Function - RF</b>	0 = Without	3 = RF, 315MHz	4 = RF, 433MHz	
<b>Built-in Wireless Function - 2.4Ghz</b>	0 = Without	2 = 2.4GHz		
<b>Bus Interface</b>	0 = Without	C = CAN bus	R = RS-485	
<b>Bus Protocol</b>	0 = Without	T = Timotion sync.		
<b>Cable</b>	N = Without			
<b>Color of Casing</b>	B = Black			
<b>IP Rating</b>	1 = without	2 = IP54	3 = IP66	8 = IP69K
<b>Fixation Plate</b>	0 = without	1 = with		
<b>Accessory - Sealing Plug</b>	0 = without 1 = 1 piece	2 = 2 piece 3 = 3 piece	4 = 4 piece	

### Terms of Use

The user is responsible for determining the suitability of TiMOTION products for a specific application. TiMOTION products are subject to change without prior notice.