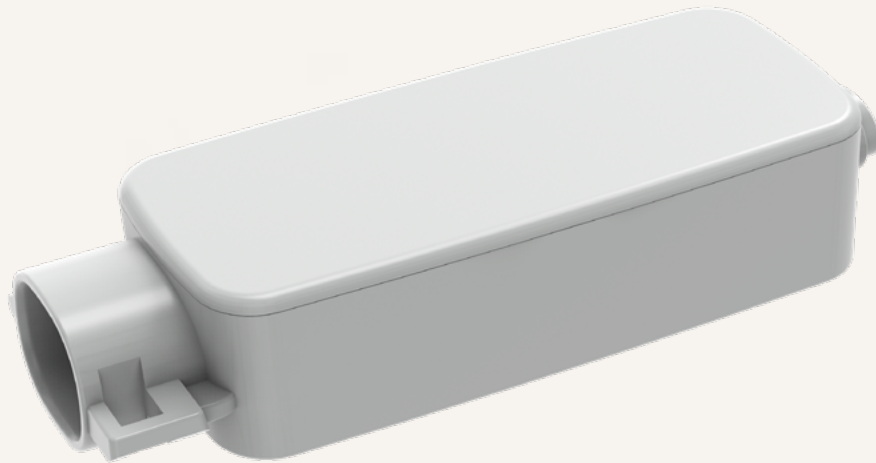


# TJB11

series



---

## Product Segments

- **Care Motion**

---

## General Features

A signal switch box, specifically for Hall to POT conversion

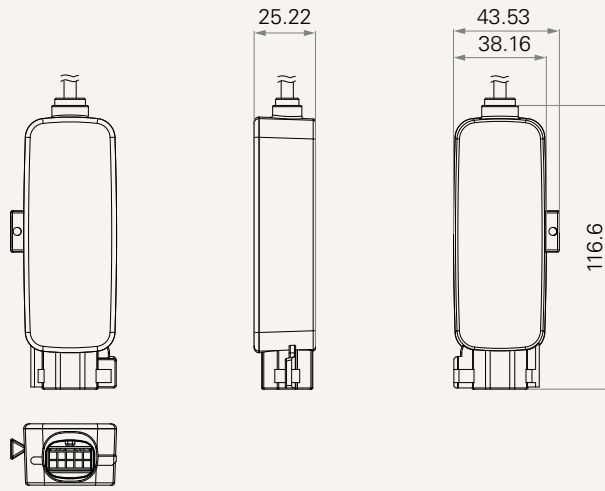
IP rating

IP54

# TJB11 Series

## Drawing

Standard Dimensions  
(mm)



<b>Connector Socket</b>	1 = Molex mini-fit 10 pin (for TA16)	2 = Molex mini-fit 6 pin (for TA23)
<b>Anti-pull Clip</b>	0 = Without	1 = With
<b>Connector Type</b>	1 = Motor cable assembly (for TA16)	2 = Motor cable assembly (for TA23)
<b>Cable Length (mm)</b>	1 = 500	2 = 1000
<b>Fixation</b>	1 = With sleeve on TA16	2 = With sleeve on TA23
<b>Color</b>	2 = Grey (Pantone 428C)	
<b>IP Rating</b>	1 = Without	2 = IP54

### Terms of Use

The user is responsible for determining the suitability of TiMOTION products for a specific application. TiMOTION products are subject to change without prior notice.