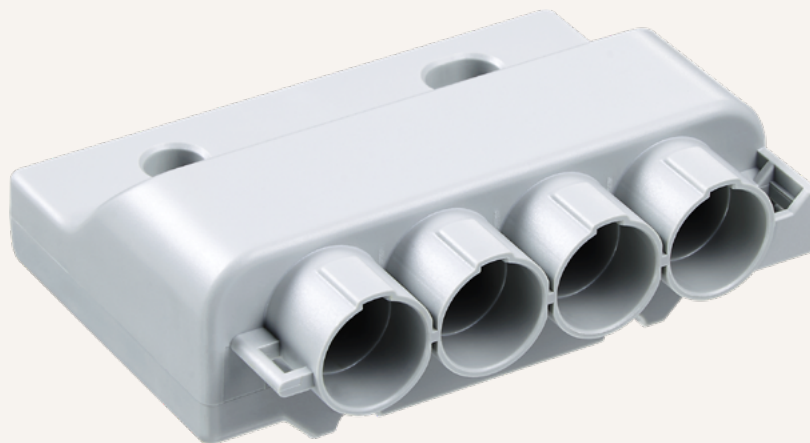


TJB5

series



Product Segments

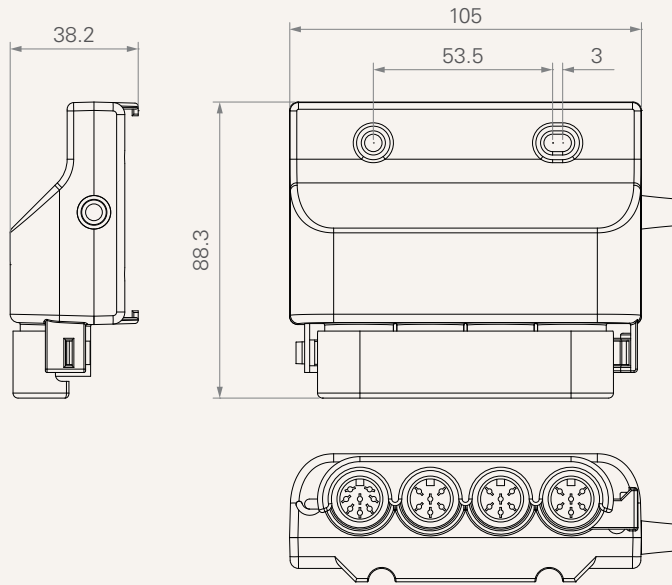
- **Care Motion**

General Features

A signal switch box	
Connect actuators	1~3
Connect hand control	1~2

Drawing

Standard Dimensions
(mm)



Socket Application (S1)	1 = Connect with motor	2 = Connect with handset	
Socket Type (S1)	0 = Without 2 = Long DIN 5P	4 = DIN 6P 5 = DIN 8P	8 = RJ 10P
Socket Application (S2)	1 = Connect with motor	2 = Connect with handset	
Socket Type (S2)	0 = Without 2 = Long DIN 5P	4 = DIN 6P 5 = DIN 8P	8 = RJ 10P
Socket Application (S3)	1 = Connect with motor	2 = Connect with handset	
Socket Type (S3)	0 = Without 2 = Long DIN 5P	4 = DIN 6P 5 = DIN 8P	8 = RJ 10P
Socket Application (S4)	1 = Connect with motor	2 = Connect with handset	
Socket Type (S4)	0 = Without 2 = Long DIN 5P	4 = DIN 6P 5 = DIN 8P	8 = RJ 10P
TJB5 Cable Length (mm)	1 = Straight, 1000	2 = Straight, 1500	
TJB5 Plug	3 = Long DIN 5P	7 = Big 01	8 = RJ 10P
TJB5 Plug Angle	0 = 90°	1 = 180°	
Color	1 = Black	2 = Grey (Pantone 428C)	

Terms of Use

The user is responsible for determining the suitability of TiMOTION products for a specific application. TiMOTION products are subject to change without prior notice.