

TMH11

series



Product Segments

- **Care Motion**

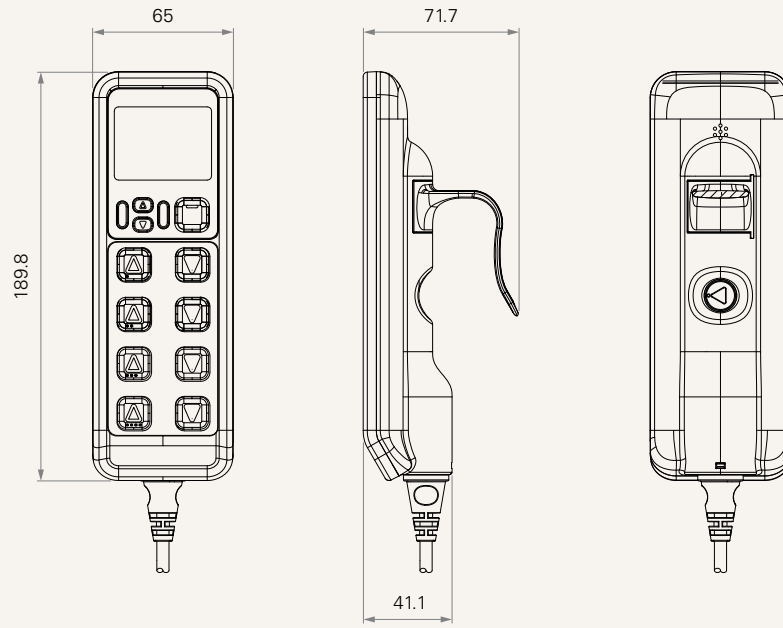
The TMH11 is a new medical hand control with a customizable color LCD display, voice prompts, and buzzer support. Featuring a detachable connection cable, it allows for each connection to be easy to plug in and unplug. Designed primarily for home care or nursing home applications, it allows for a wide array of uses.

General Features

Number of motors	2~3
Max. available buttons	13
Color	Grey, white grey
IP rating	IP54
Options	Voice IC
Display	Available
Safety key	Available
Operational temperature range	+5°C~+45°C

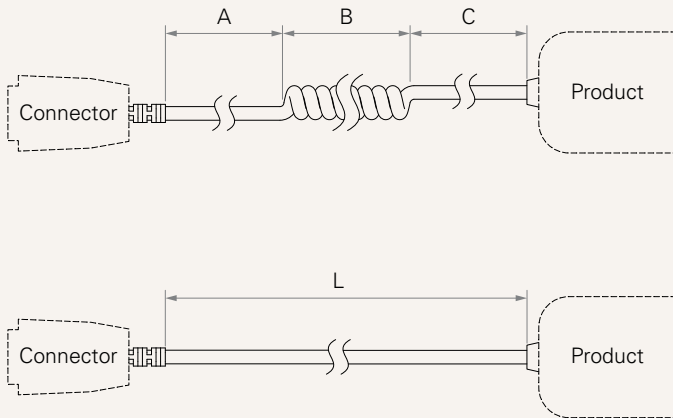
Drawing

Standard Dimensions
(mm)



MCU	1 = With	
Control Box Type	1 = With MCU	
Communication Type	6 = T-BUS	
Number of Actuator	2 = 2	3 = 3
Button Definition	91 = 11 button	C1 = 13 button
Voice IC	0 = Without	1 = With
Backlight	0 = Without	
Safety Lock	1 = With	
Plug	4 = DIN 8P, 180°	
Plug (For TC)	5 = RJ10P	
Plug Angle (For TC)	1 = 90°	2 = 180°
Cable Length	See page 4	
Color	2 = Pantone 428C	6 = Pantone 406C
IP Rating	2 = IP54	

Cable Length



Cable Section (mm)

CODE	A	B	C	L
1	1000	300	200	-
2	1200	300	300	-
3	1400	300	400	-
4	-	-	-	2400
5	0	600	0	-

Terms of Use

The user is responsible for determining the suitability of TiMOTION products for a specific application. TiMOTION products are subject to change without prior notice.